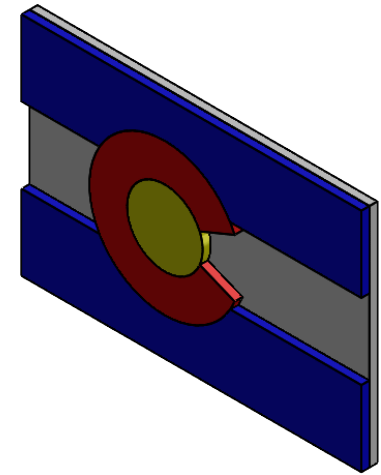
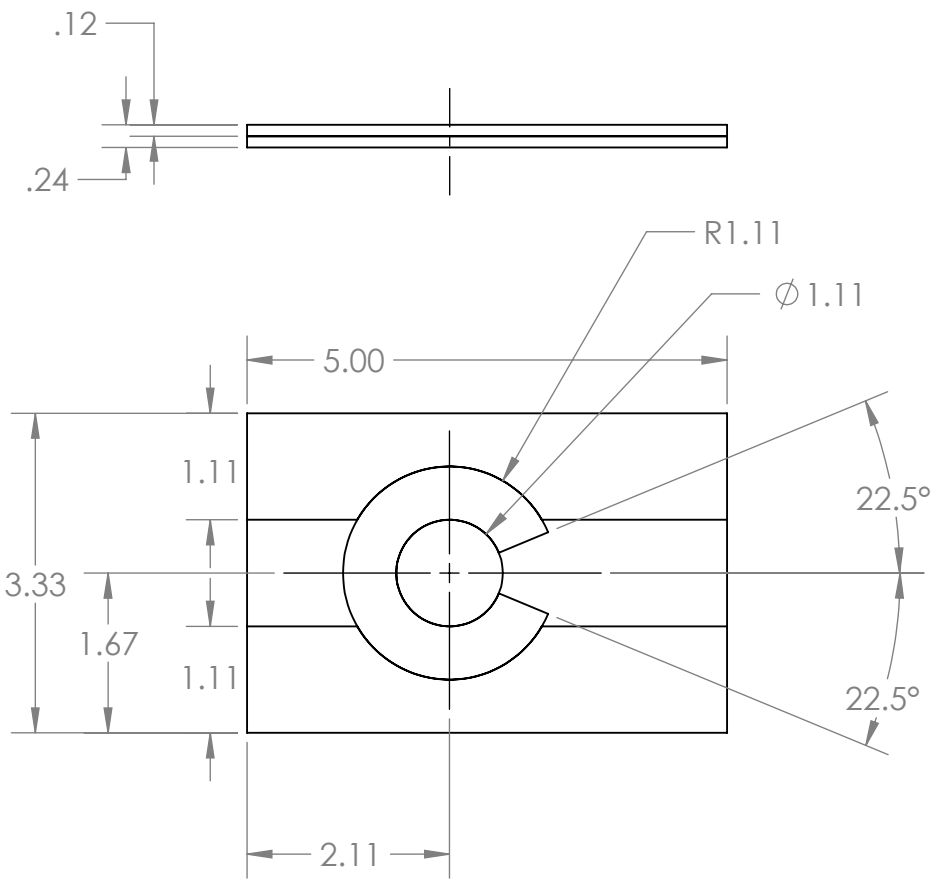


2

1

B

B



A

A

**PROPRIETARY AND CONFIDENTIAL**  
 THE INFORMATION CONTAINED IN THIS DRAWING IS THE SOLE PROPERTY OF <INSERT COMPANY NAME HERE>. ANY REPRODUCTION IN PART OR AS A WHOLE WITHOUT THE WRITTEN PERMISSION OF <INSERT COMPANY NAME HERE> IS PROHIBITED.

|           |             |                                      |           |      |         |
|-----------|-------------|--------------------------------------|-----------|------|---------|
|           |             | UNLESS OTHERWISE SPECIFIED:          |           | NAME | DATE    |
|           |             | DIMENSIONS ARE IN INCHES             | DRAWN     | AR   | 2-13-26 |
|           |             | TOLERANCES:                          | CHECKED   |      |         |
|           |             | FRACTIONAL ±                         | ENG APPR. |      |         |
|           |             | ANGULAR: MACH ± BEND ±               | MFG APPR. |      |         |
|           |             | TWO PLACE DECIMAL ±                  | Q.A.      |      |         |
|           |             | THREE PLACE DECIMAL ±                | COMMENTS: |      |         |
|           |             | INTERPRET GEOMETRIC TOLERANCING PER: |           |      |         |
|           |             | MATERIAL                             |           |      |         |
|           |             | 3MM Baltic Birch                     |           |      |         |
|           |             | FINISH                               |           |      |         |
|           |             | Painted/Clear Coat                   |           |      |         |
| NEXT ASSY | USED ON     |                                      |           |      |         |
|           | APPLICATION | DO NOT SCALE DRAWING                 |           |      |         |

|                          |                |              |
|--------------------------|----------------|--------------|
| Amy Roemer               |                |              |
| TITLE:                   |                |              |
| Laser Cut Colorado Board |                |              |
| SIZE                     | DWG. NO.       | REV          |
| <b>A</b>                 | A-101          | 1            |
| SCALE: 1:2               | WEIGHT: .07LBS | SHEET 1 OF 1 |

2

1