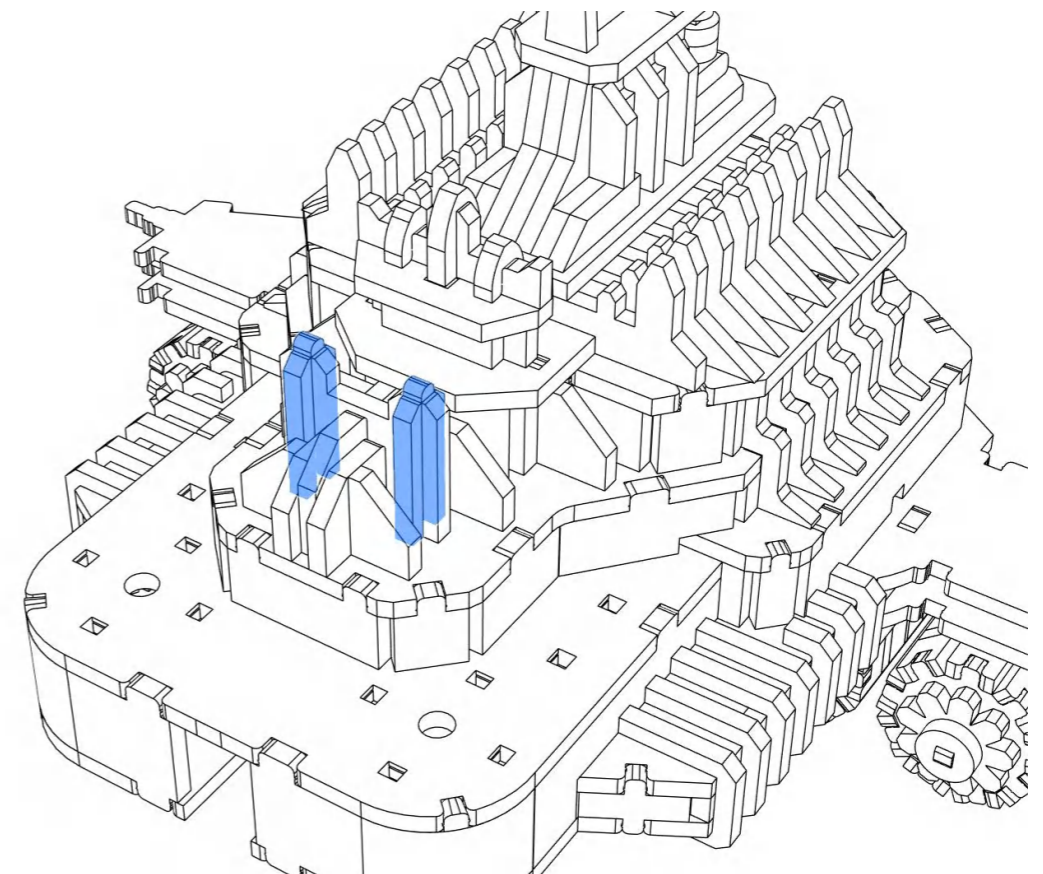
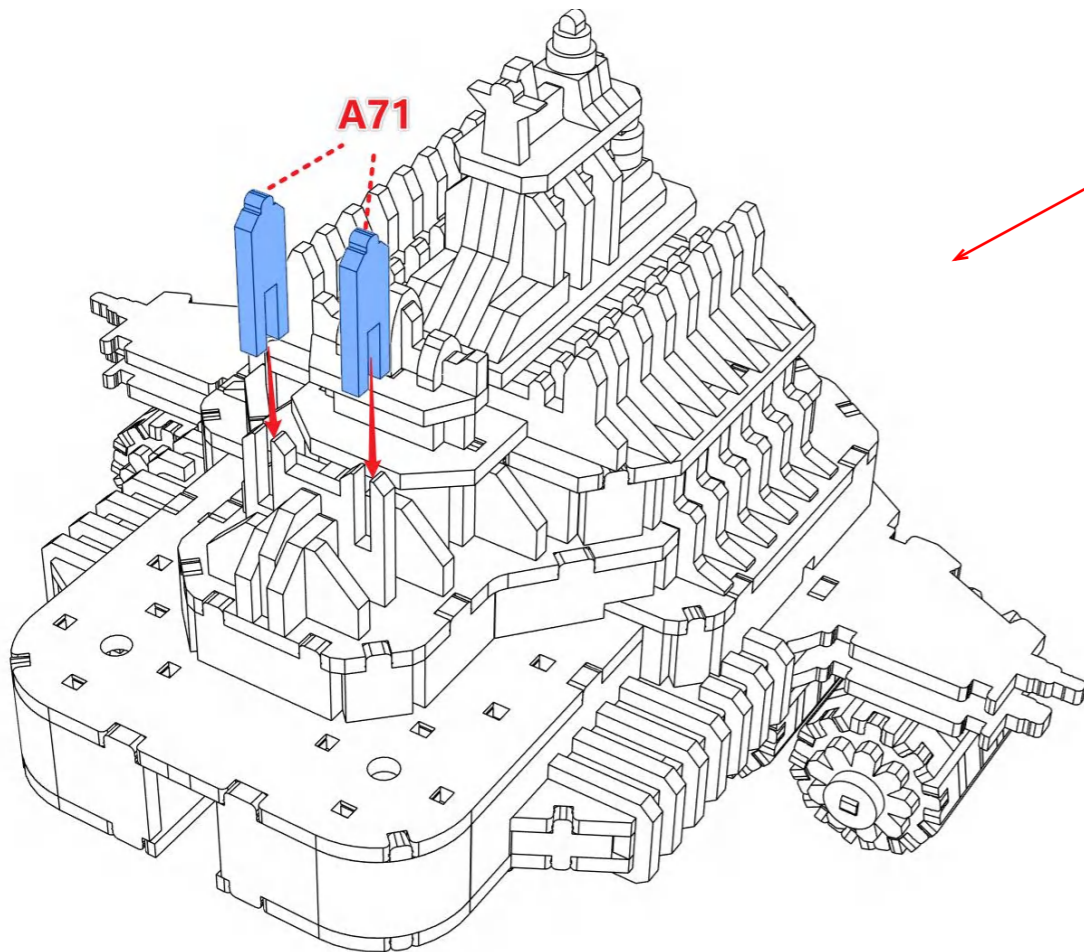
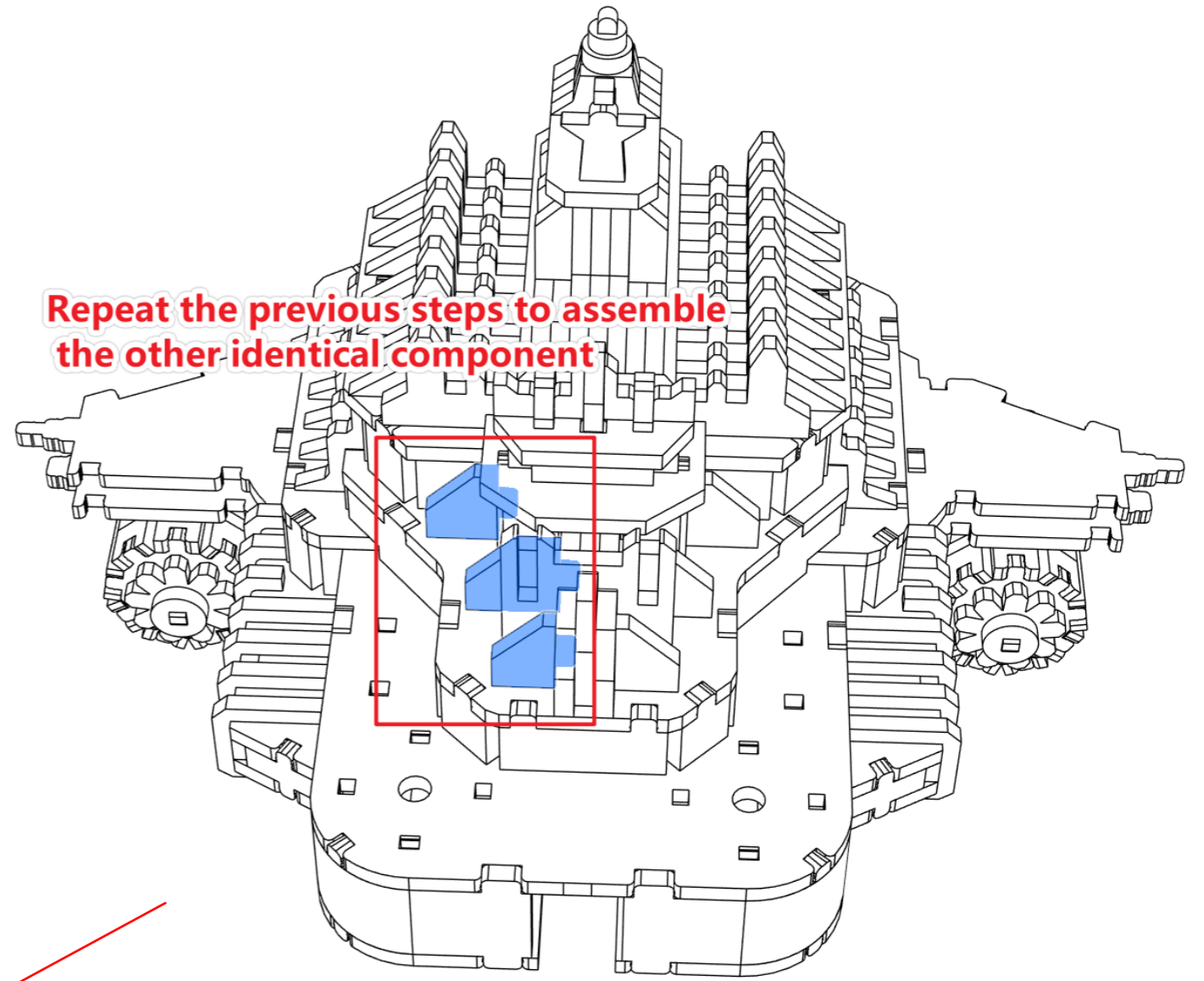
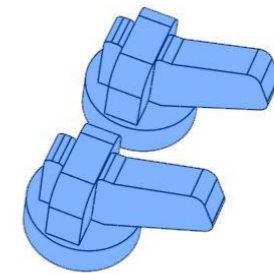
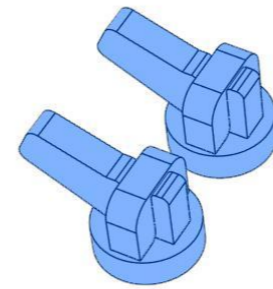
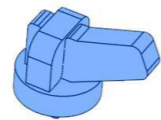
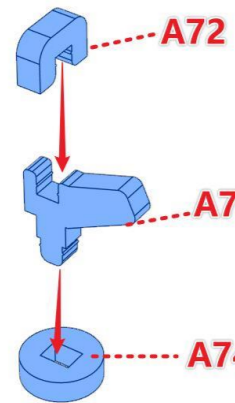
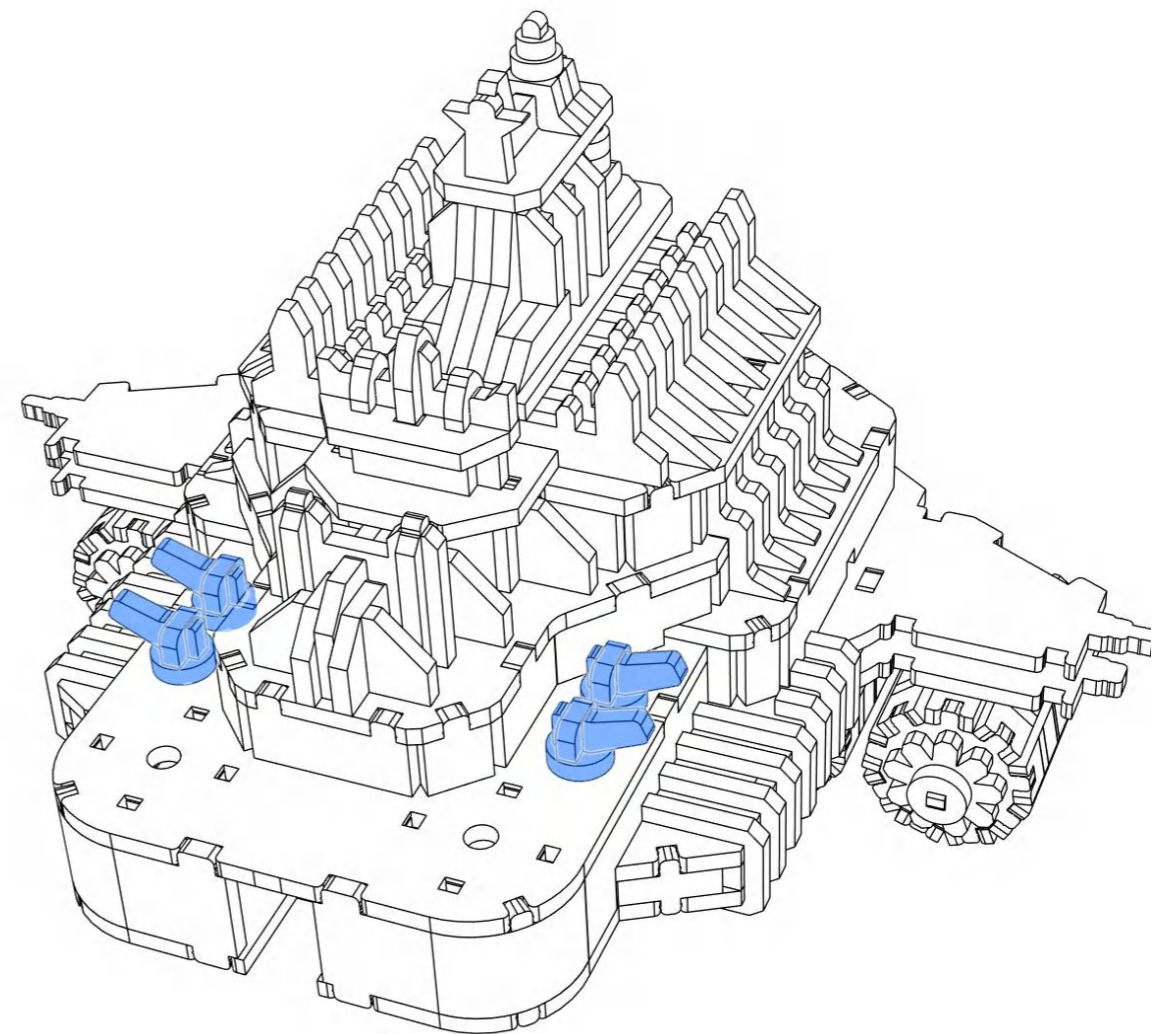
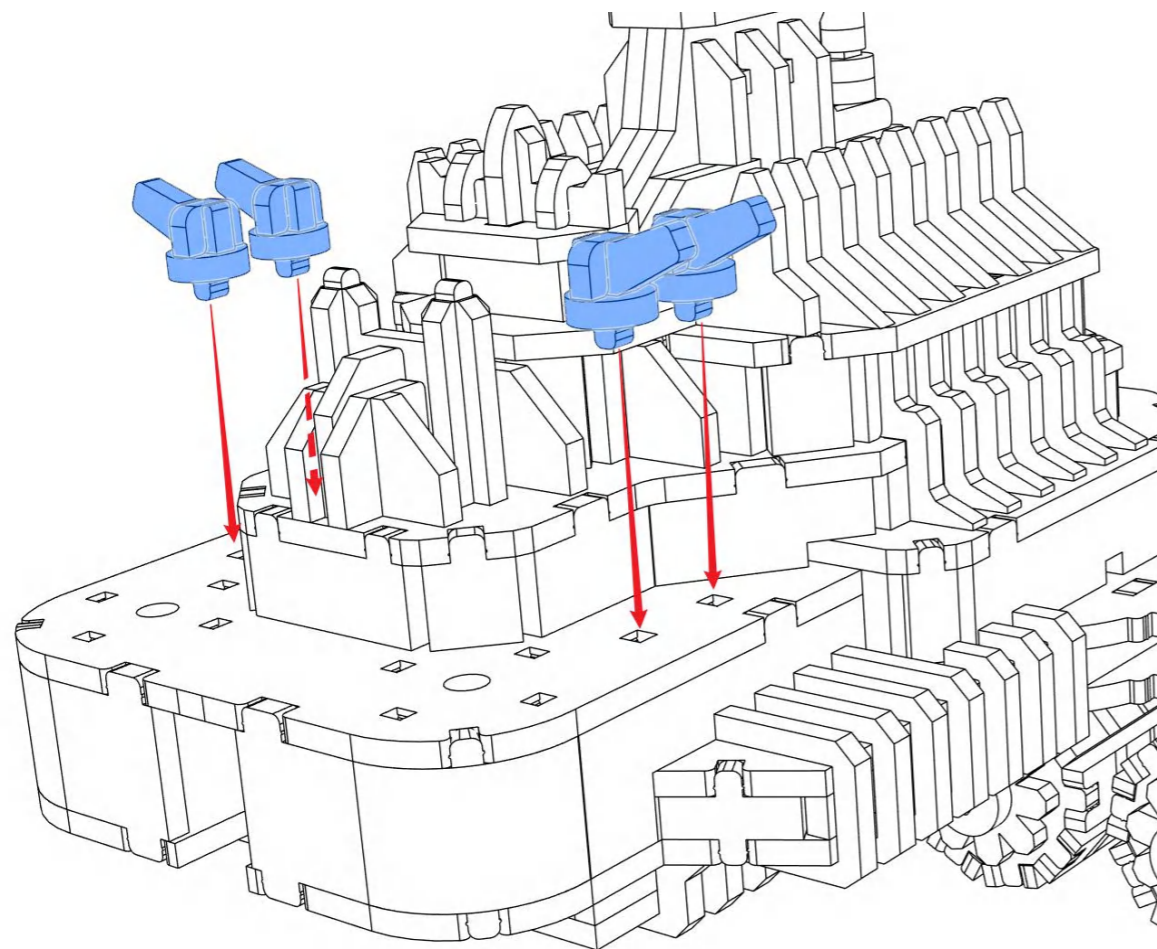


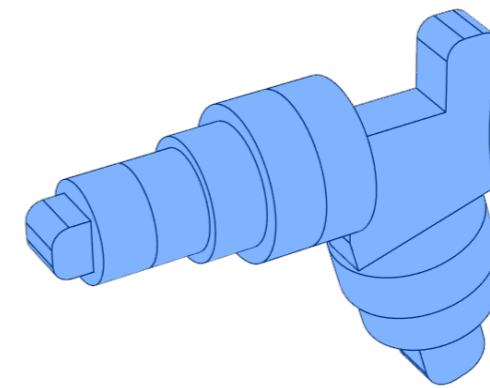
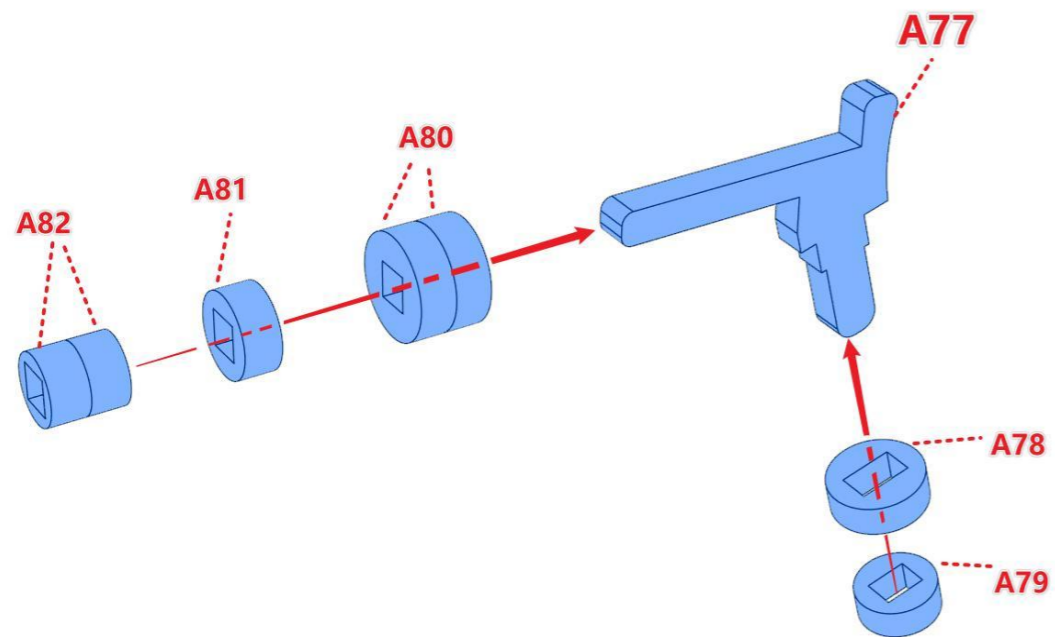
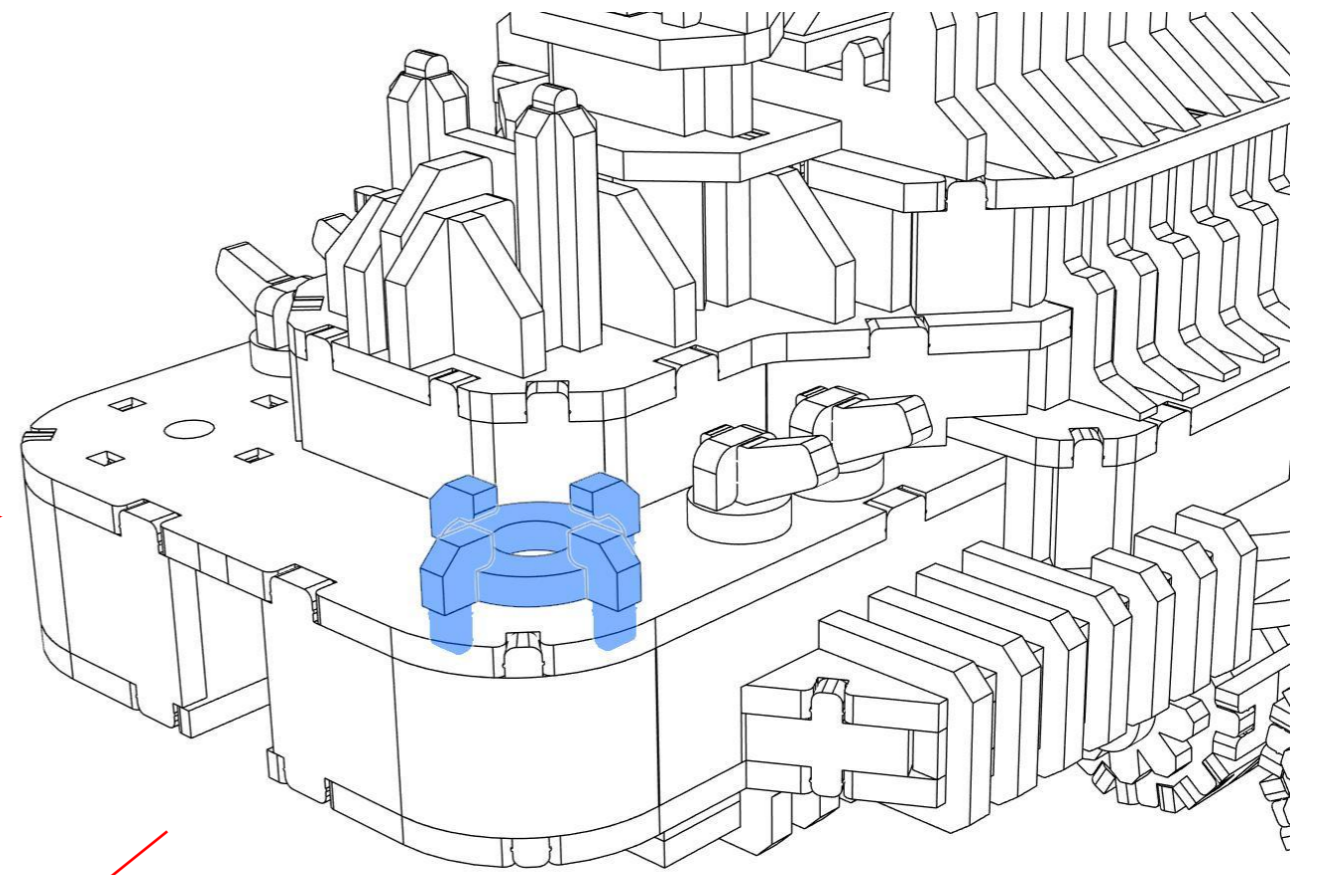
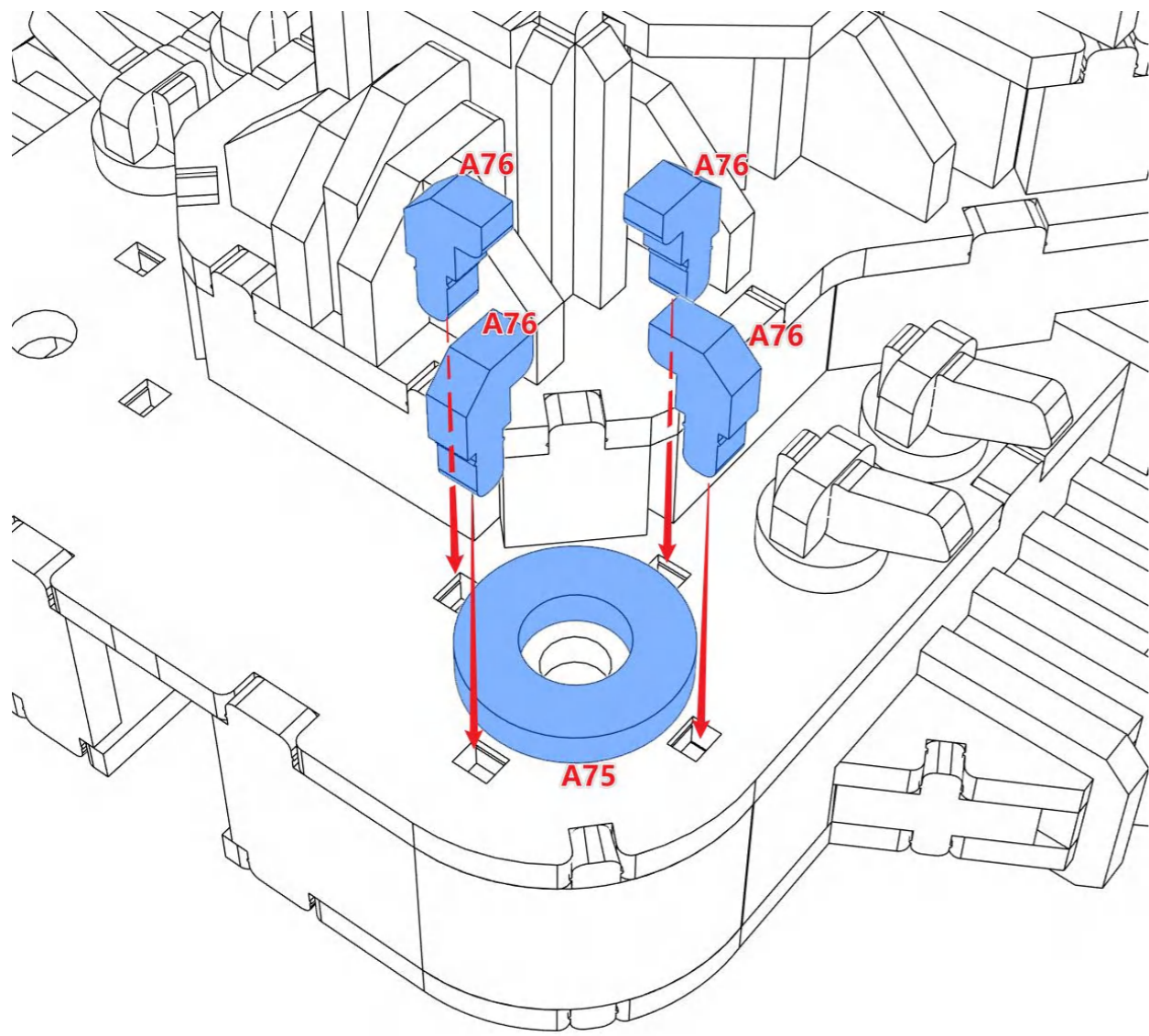
Repeat the previous steps to assemble the other identical component

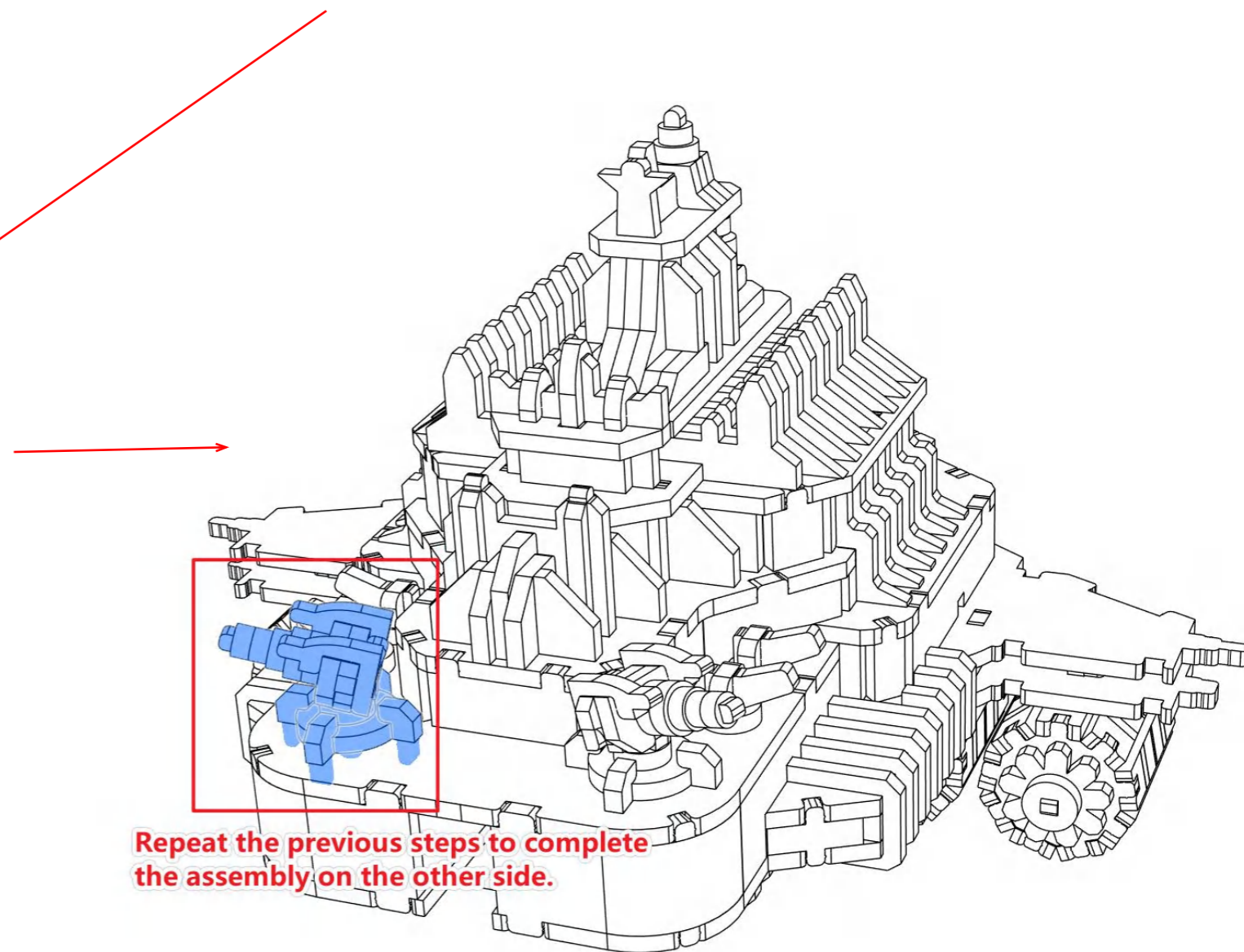
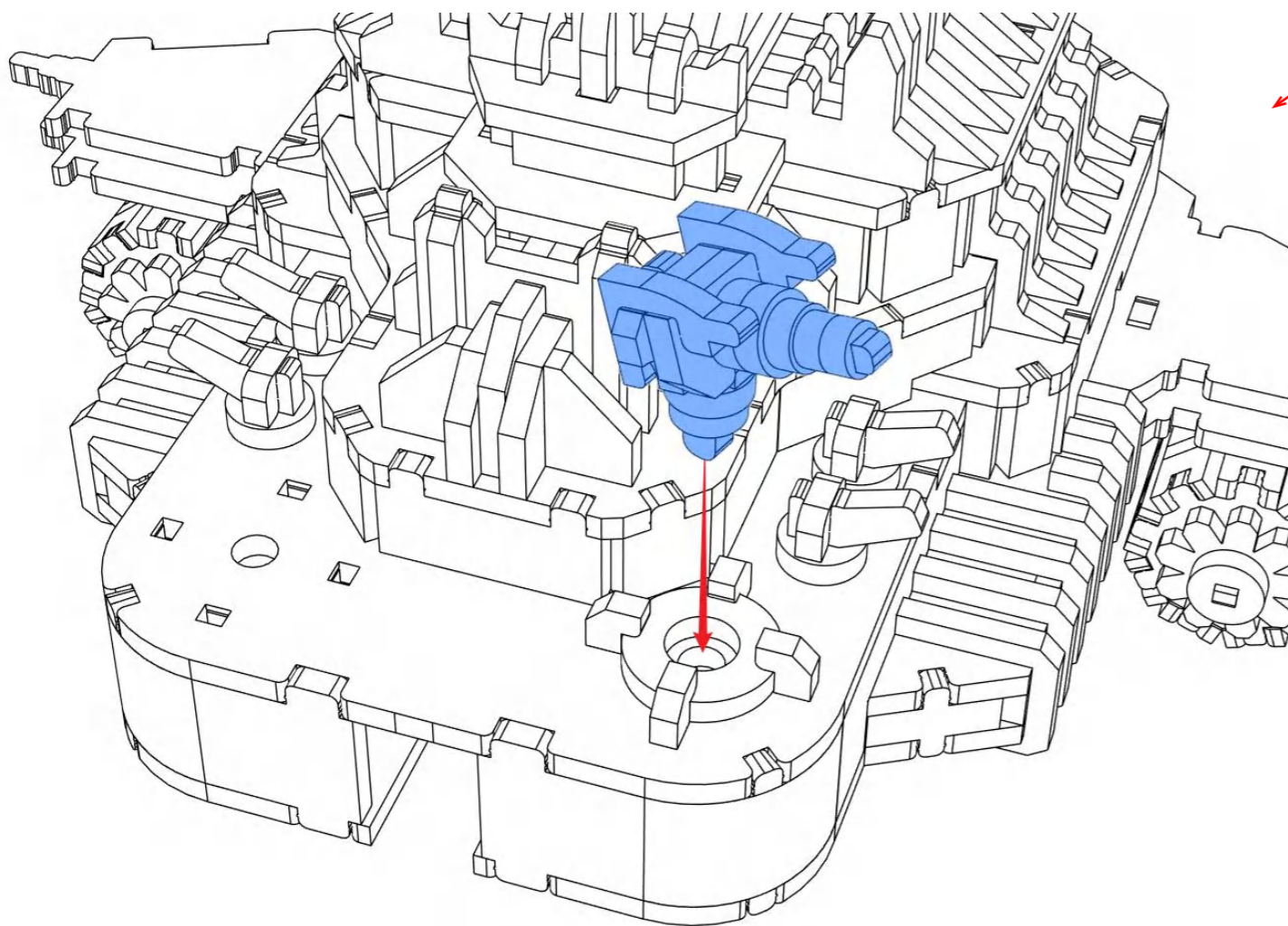
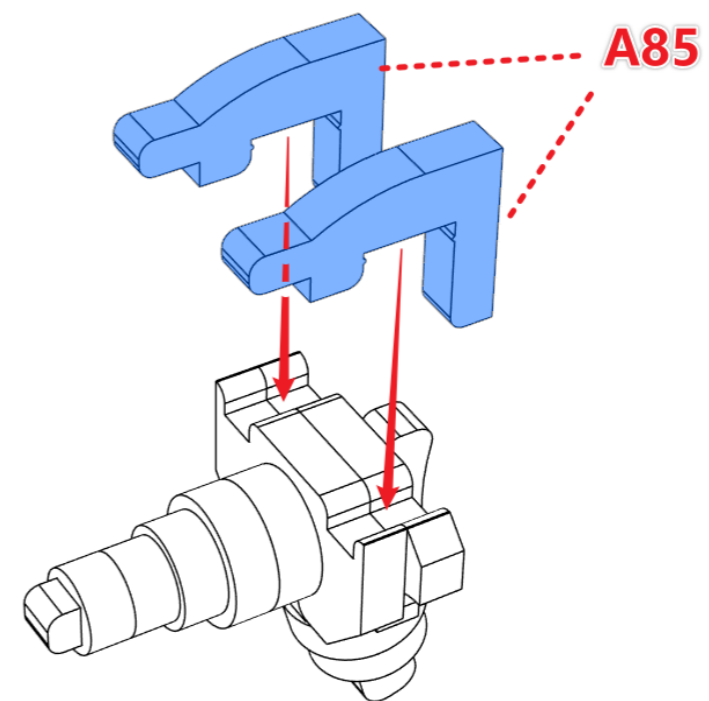
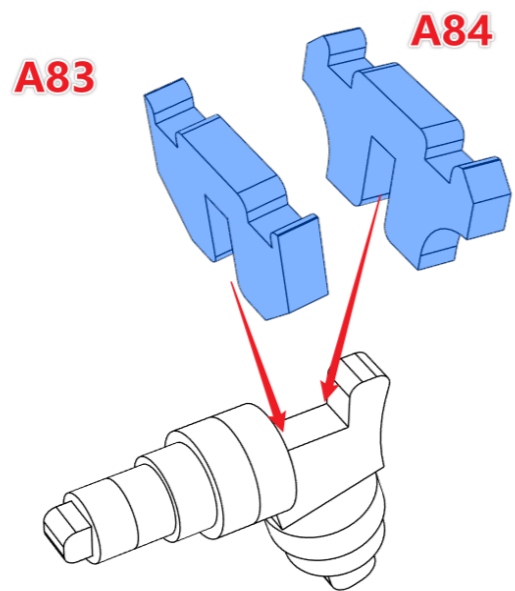




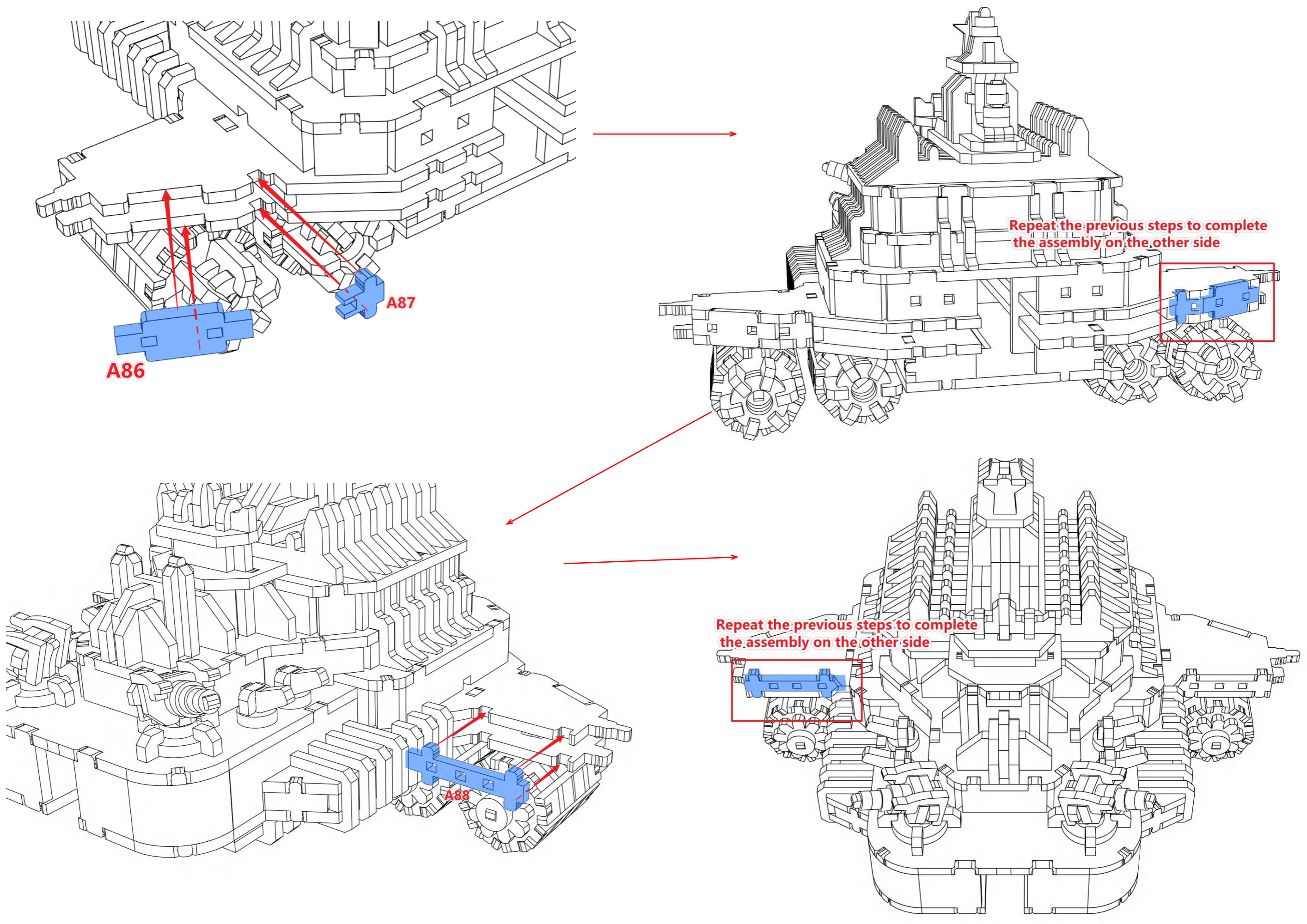
Repeat the previous steps to complete the four identical assemblies

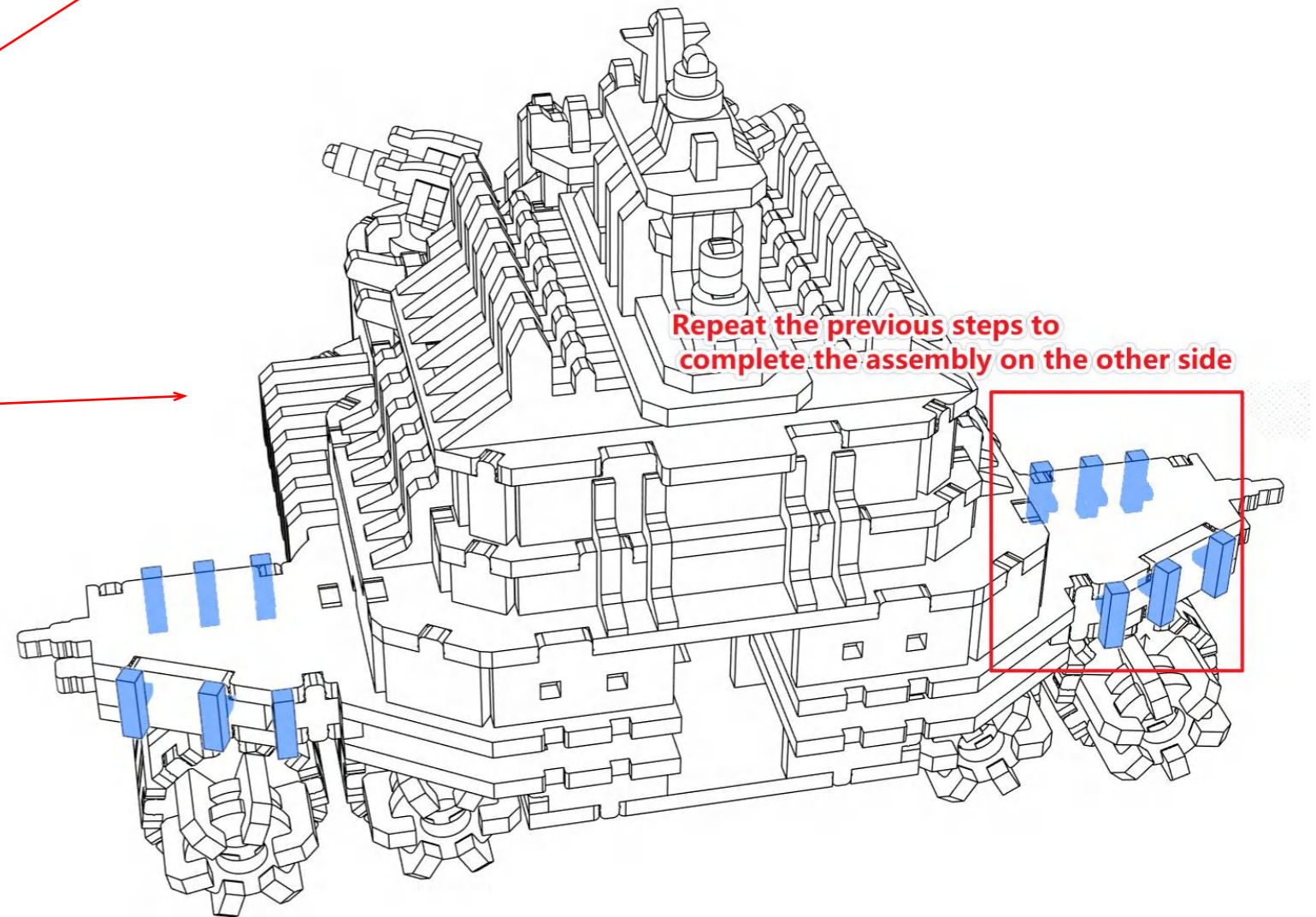
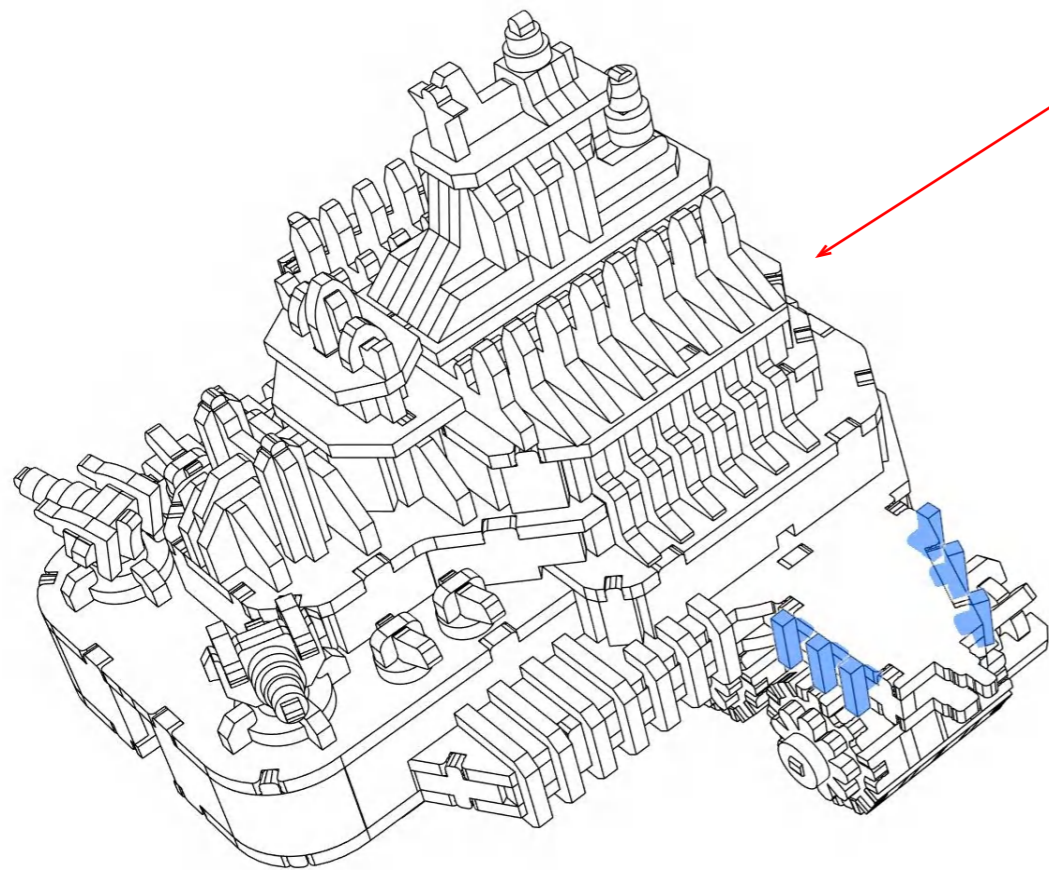
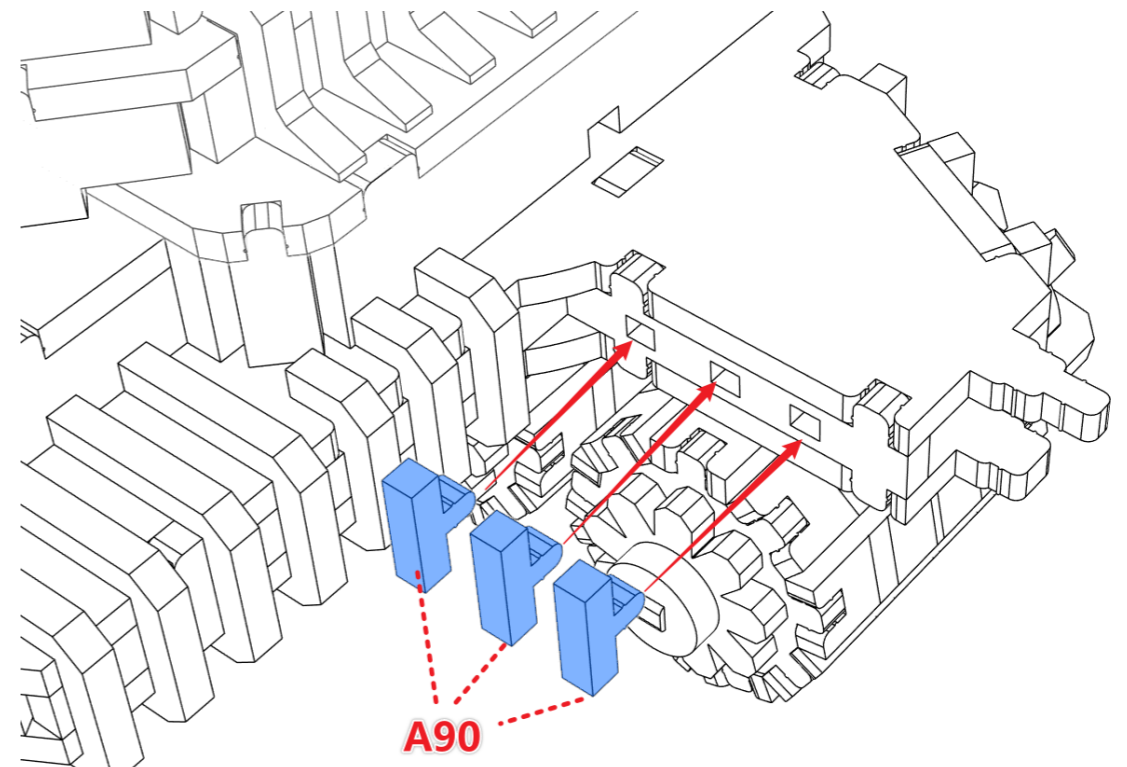
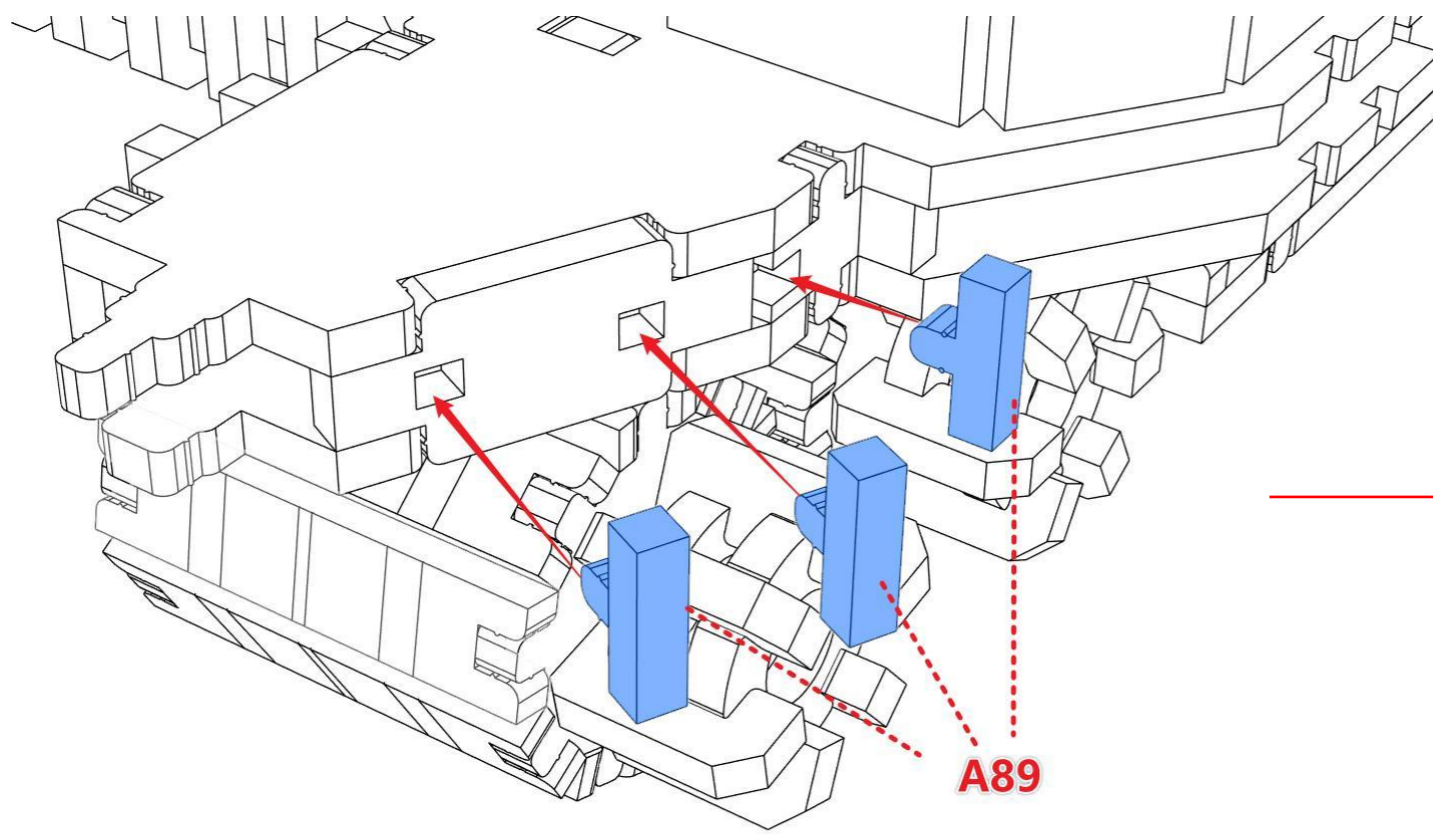


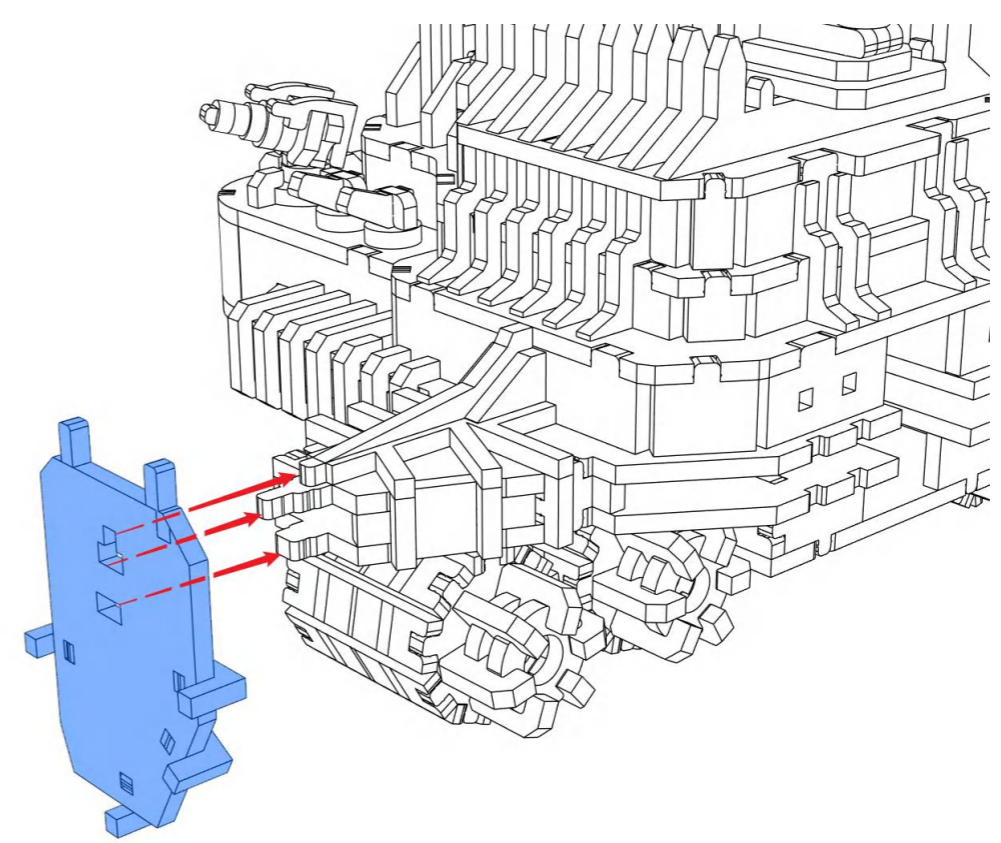
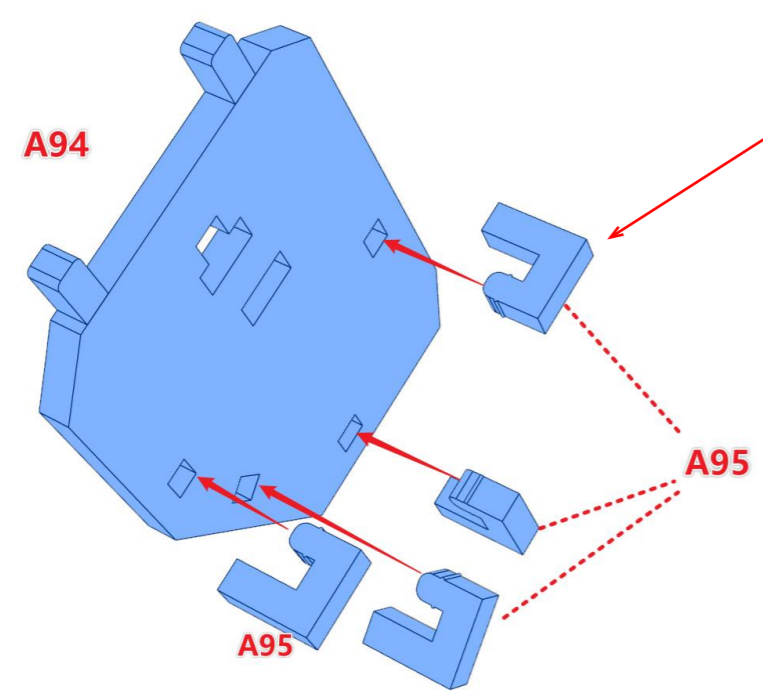
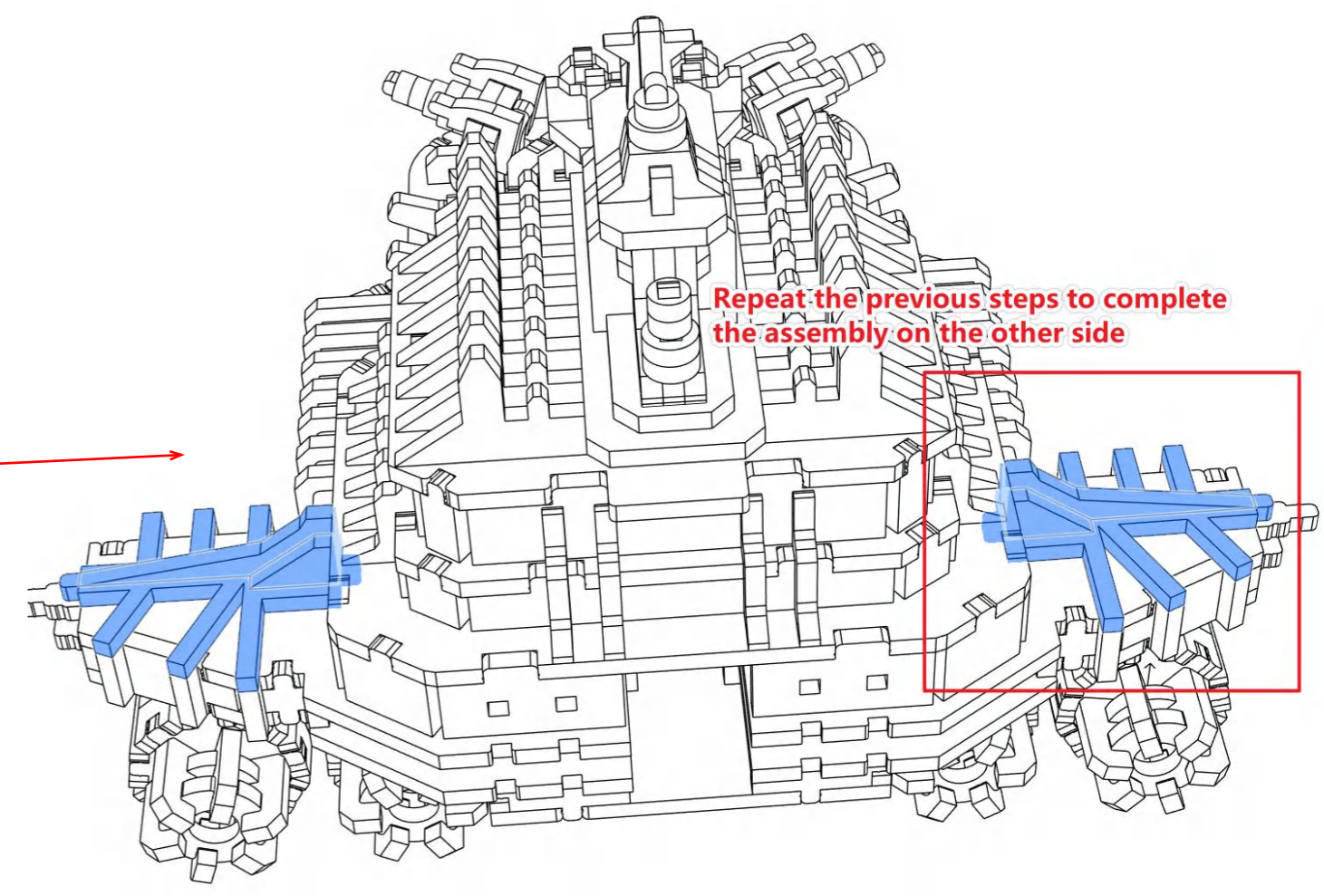
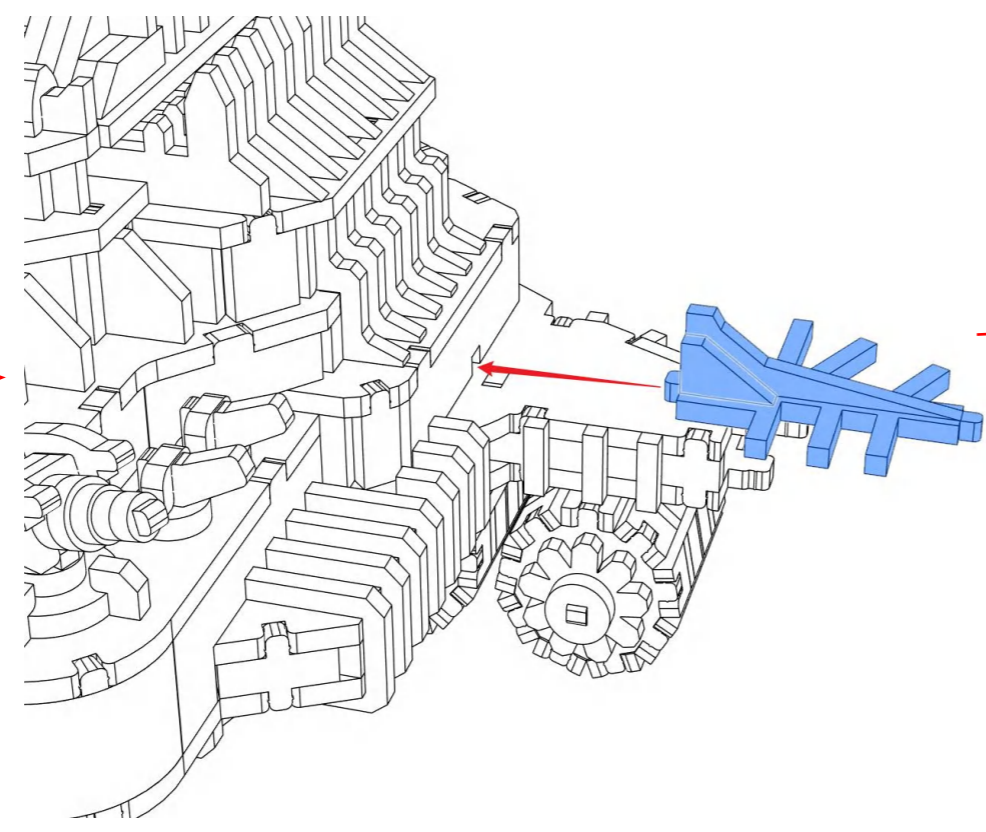
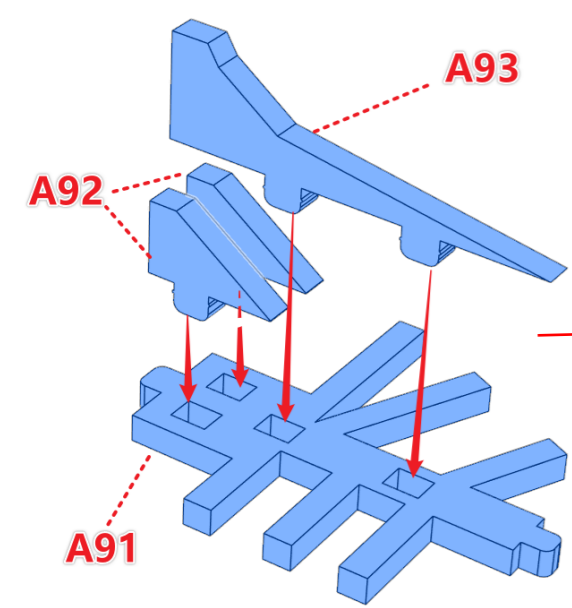


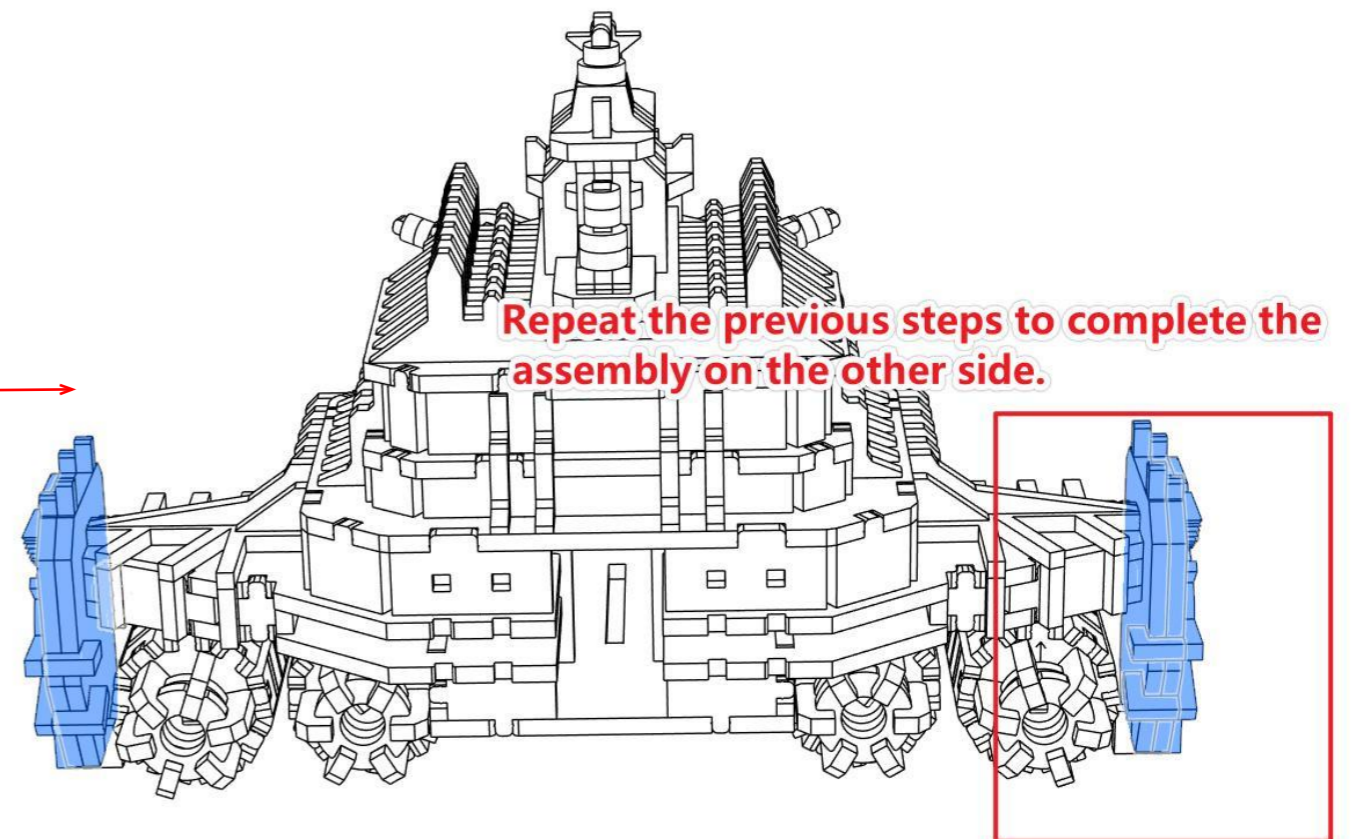
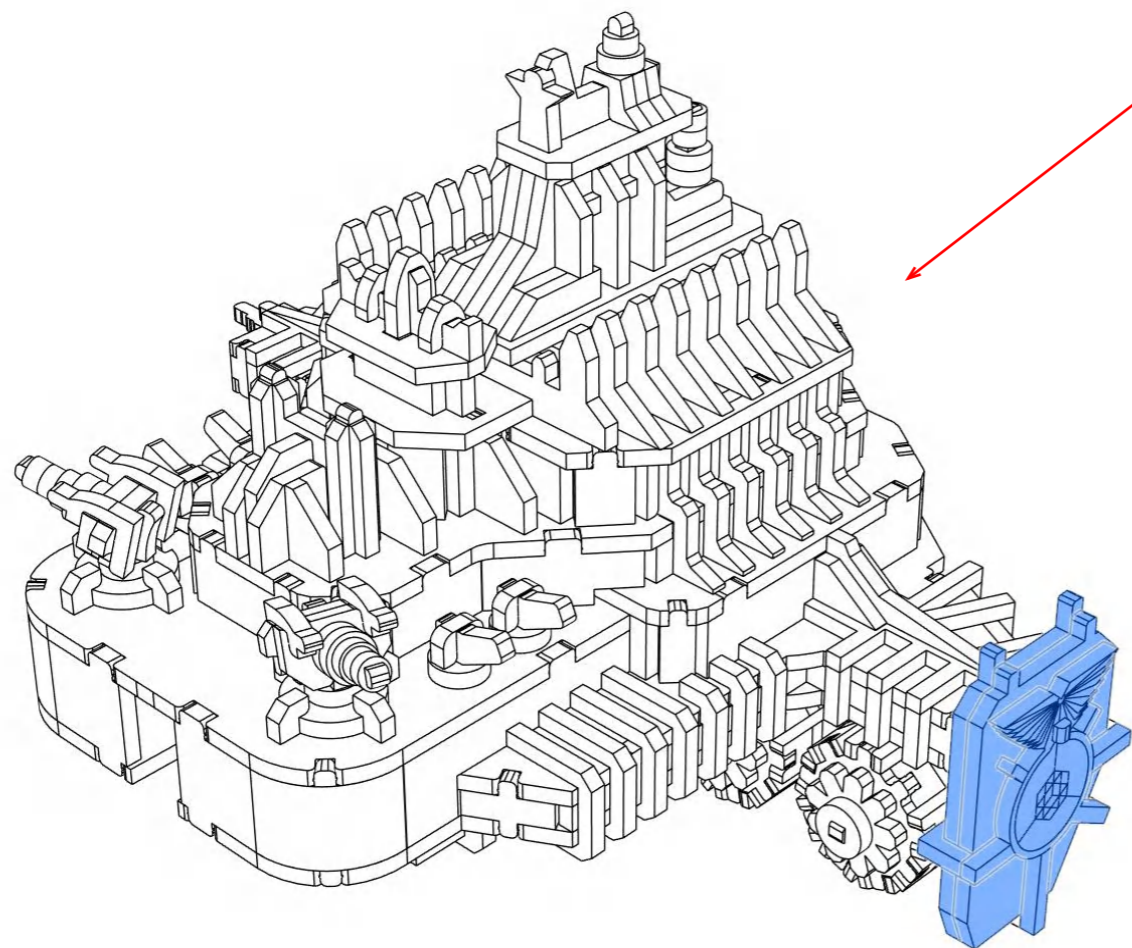
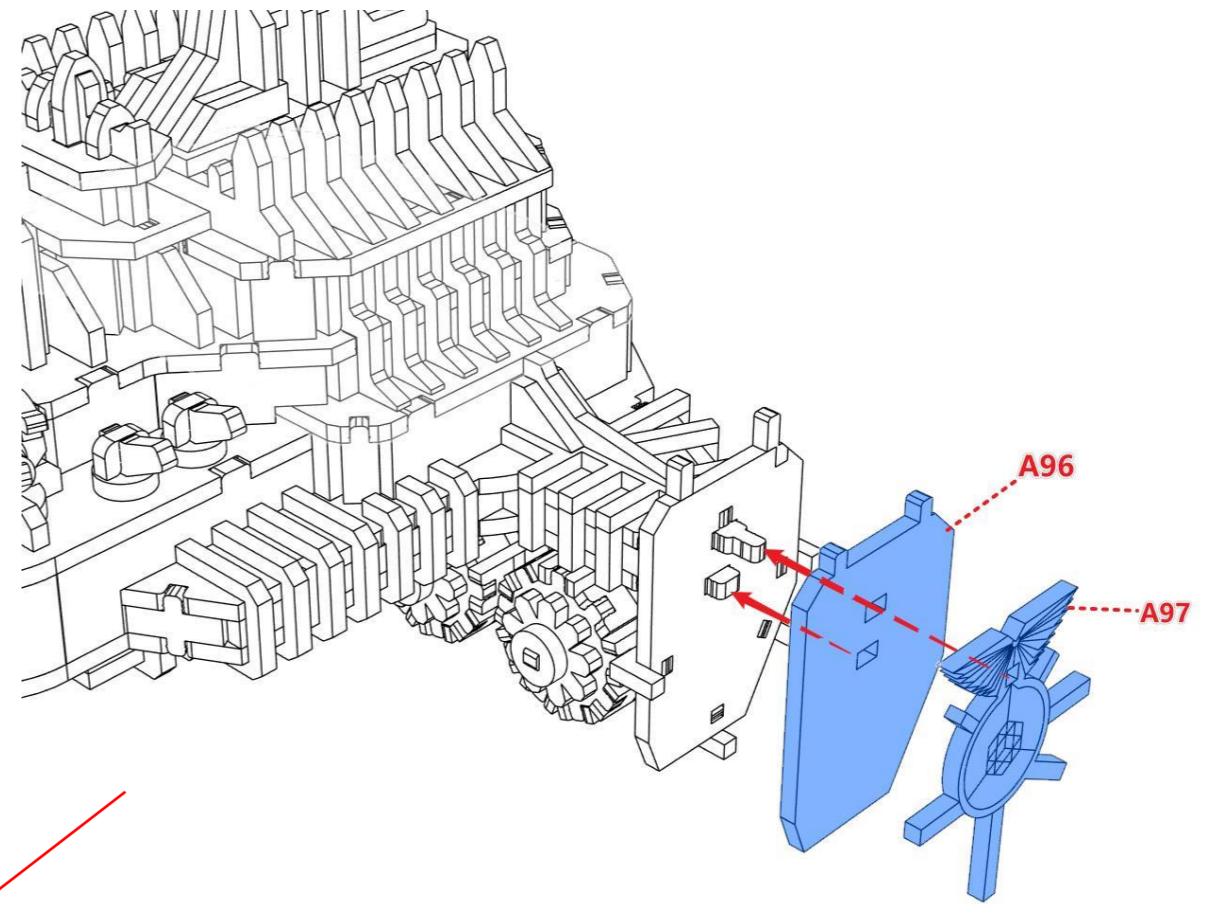
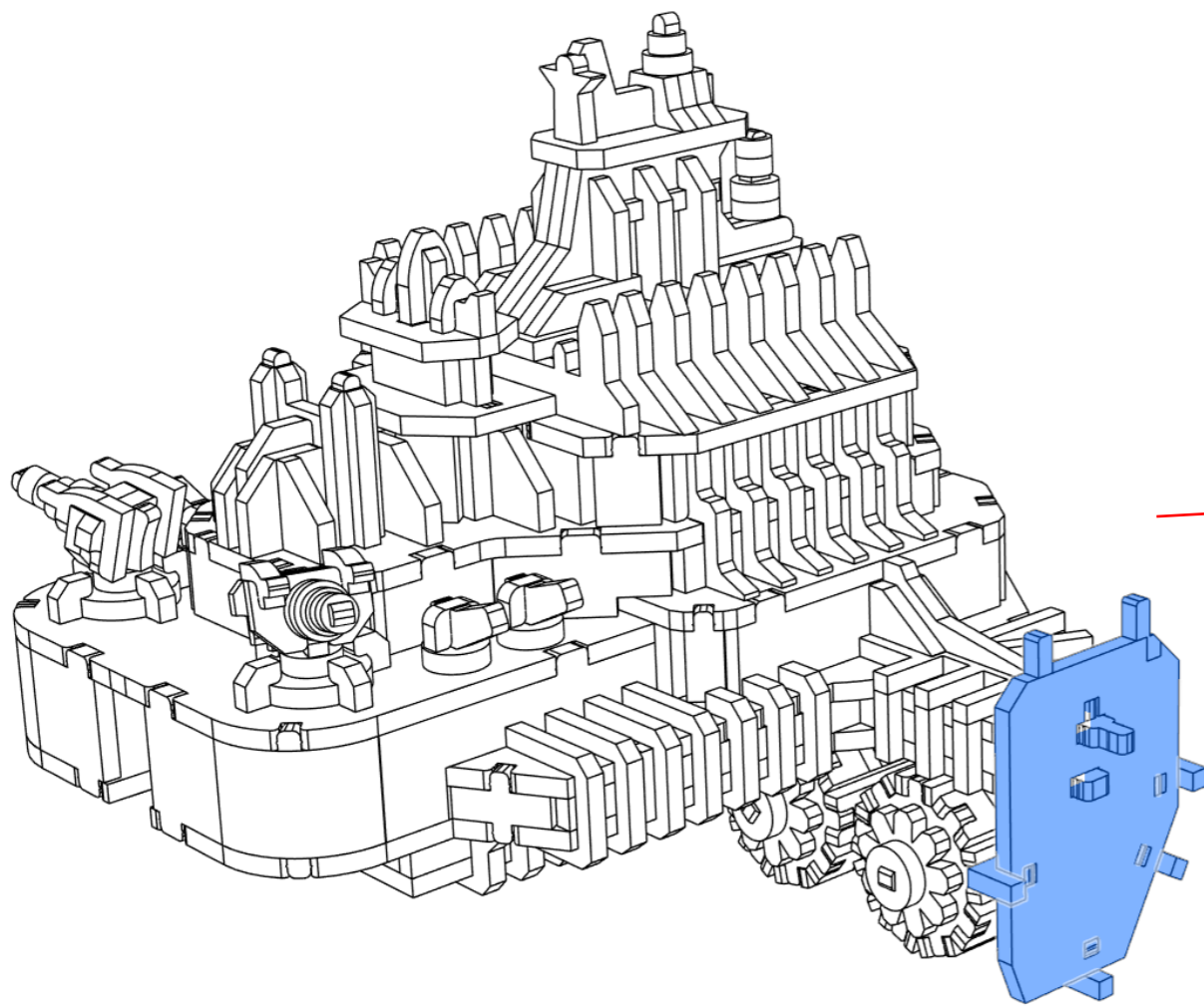


Repeat the previous steps to complete the assembly on the other side.

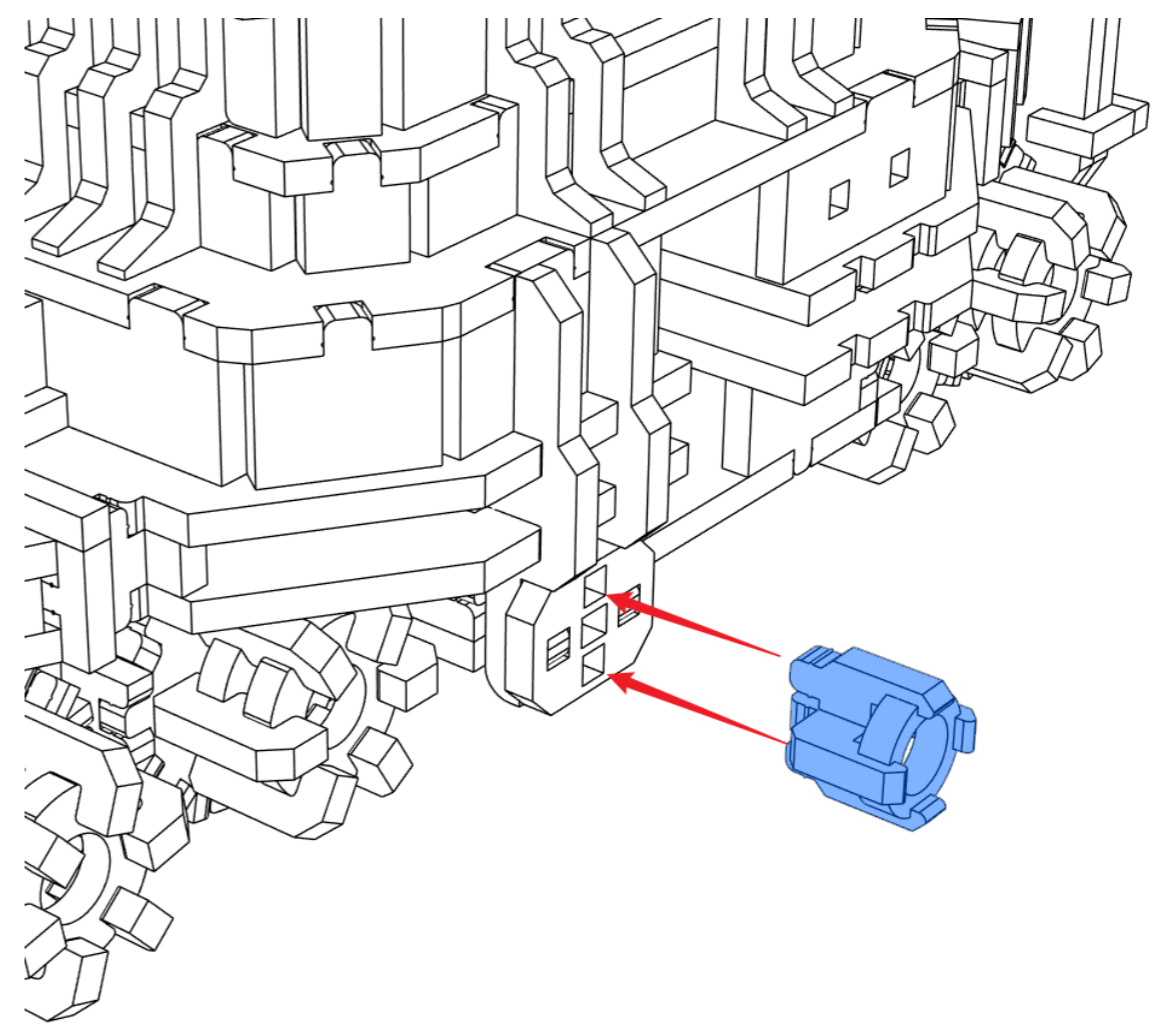
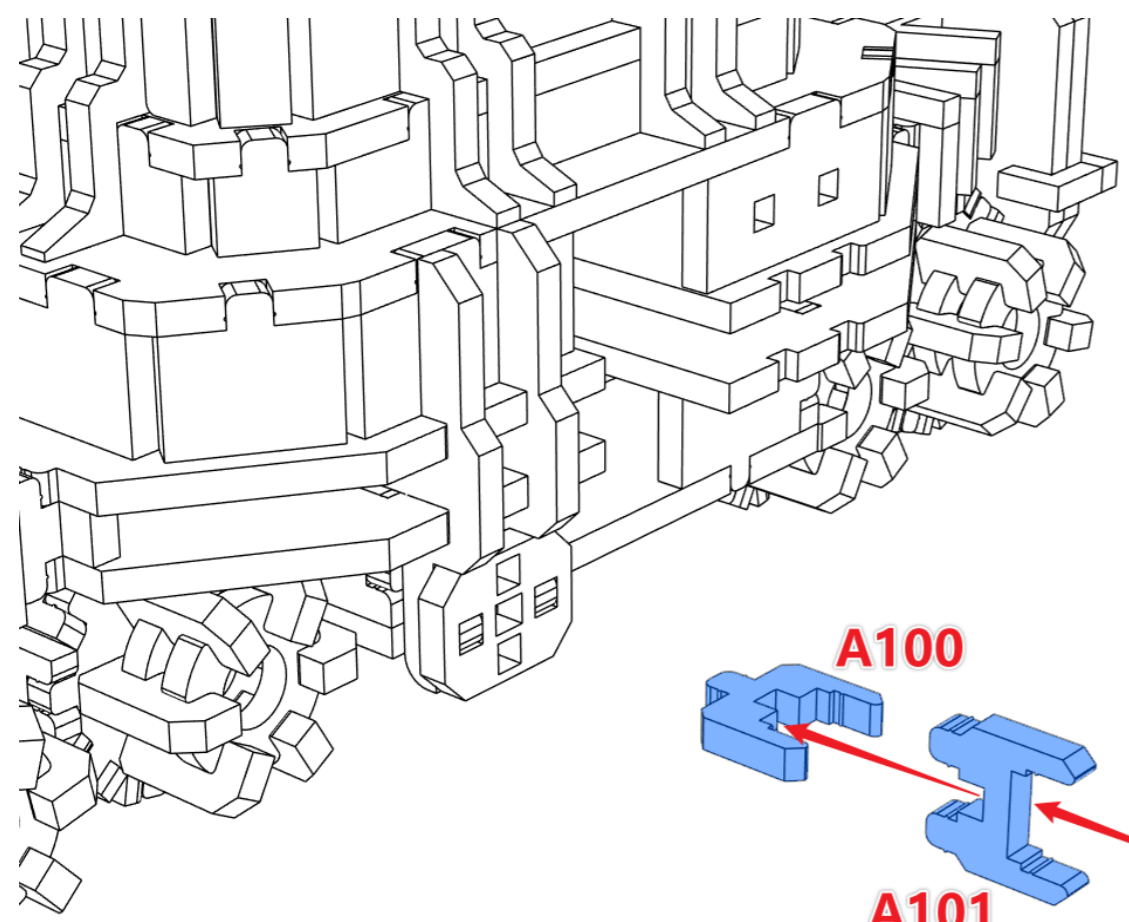
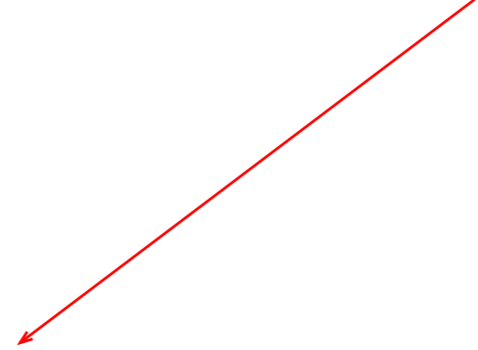
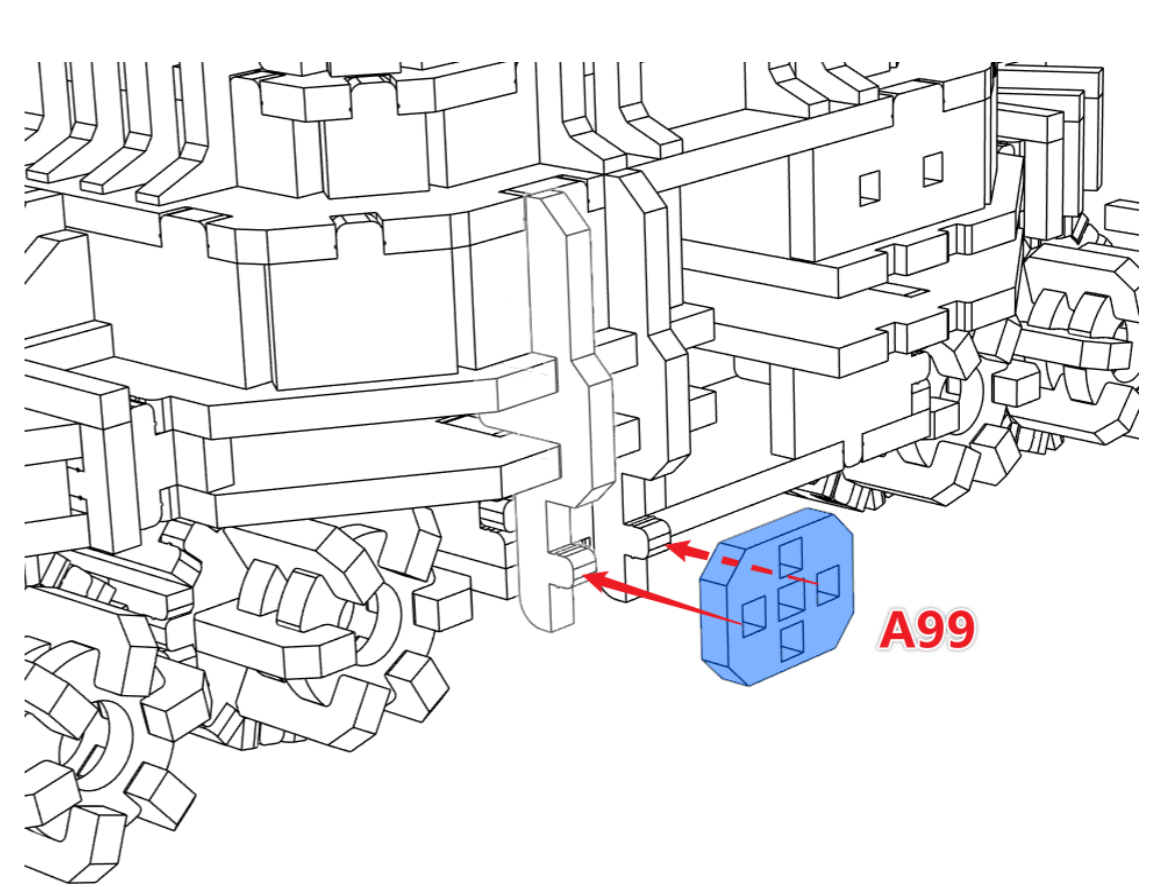
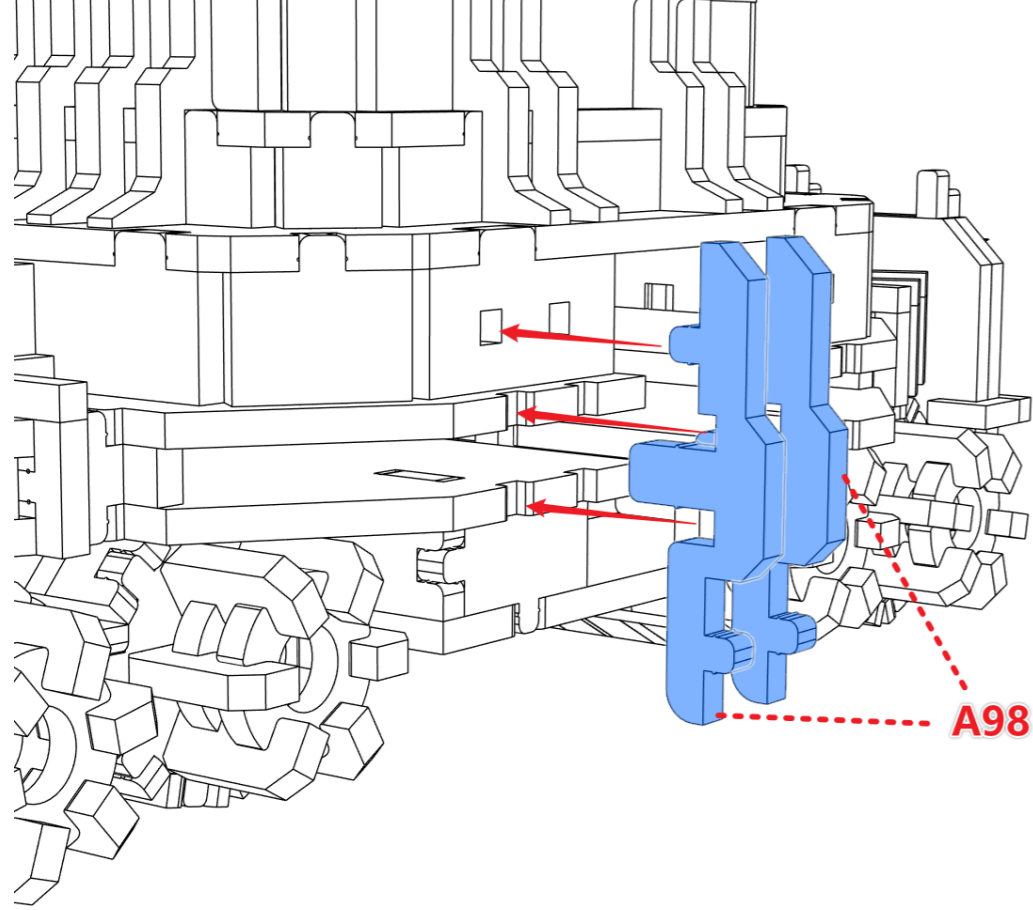


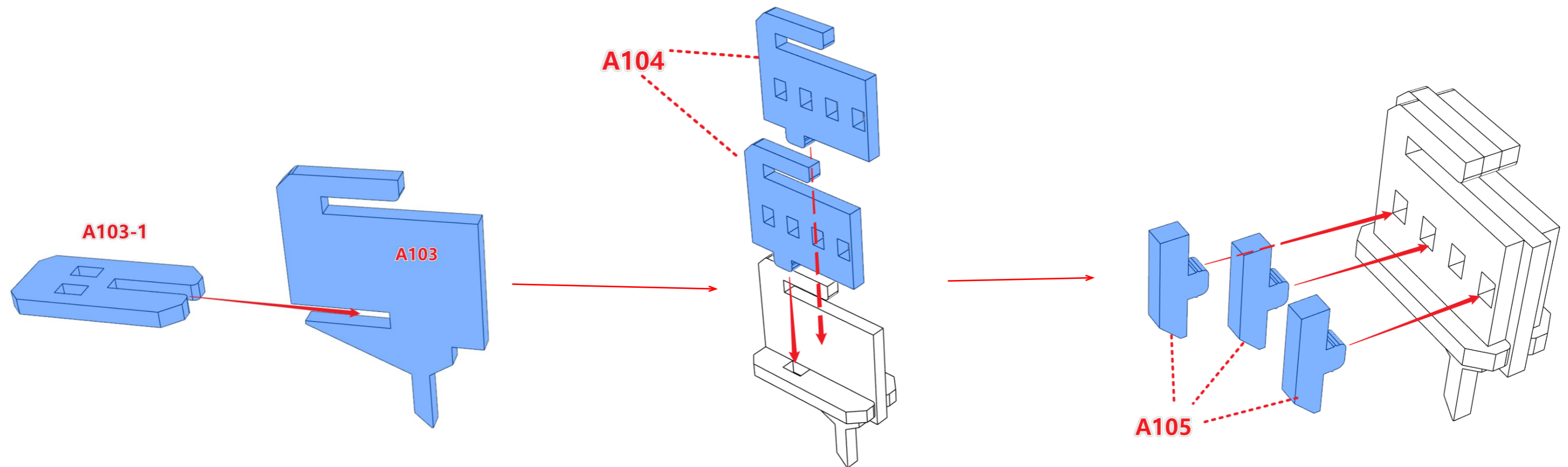
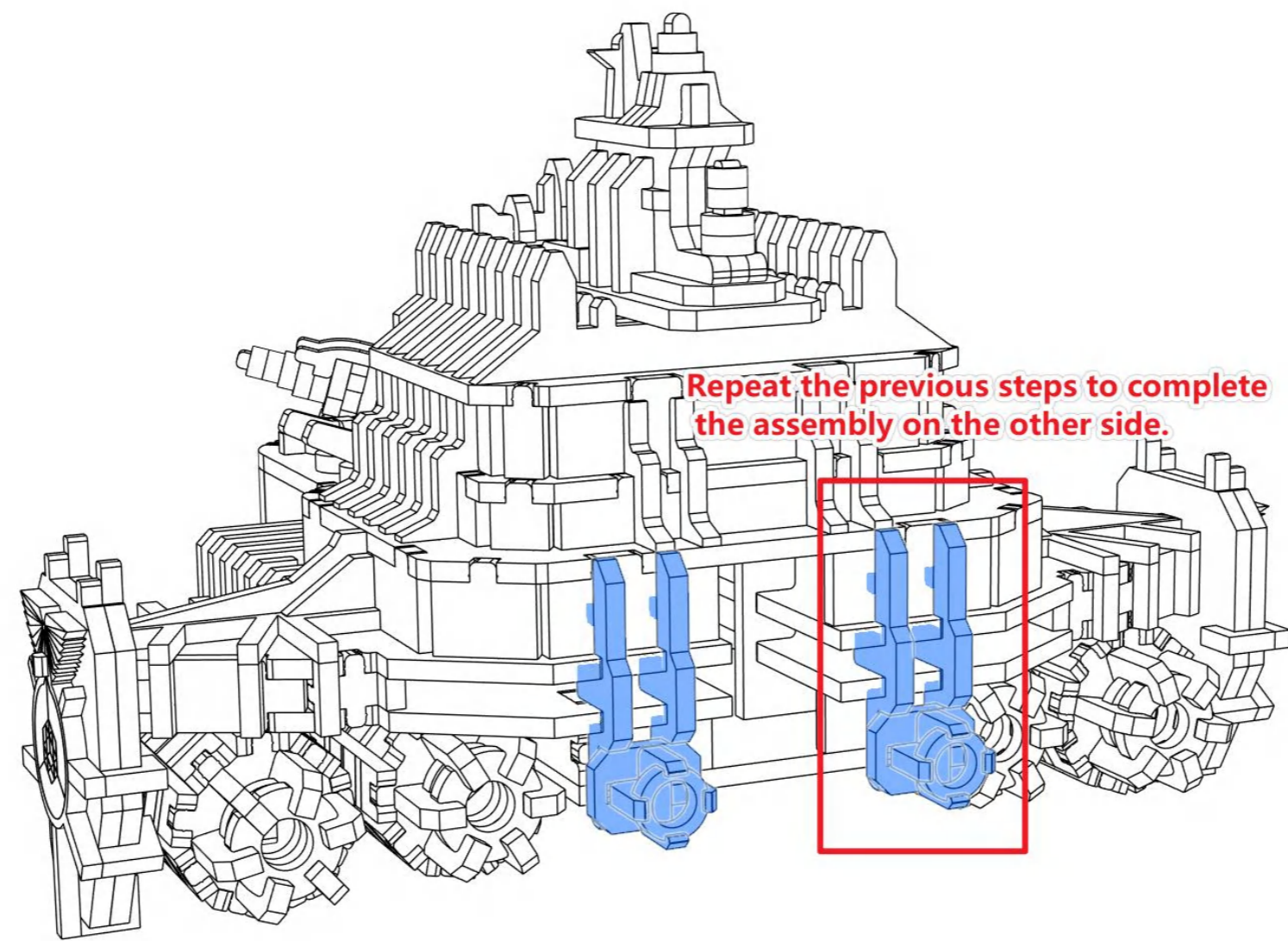




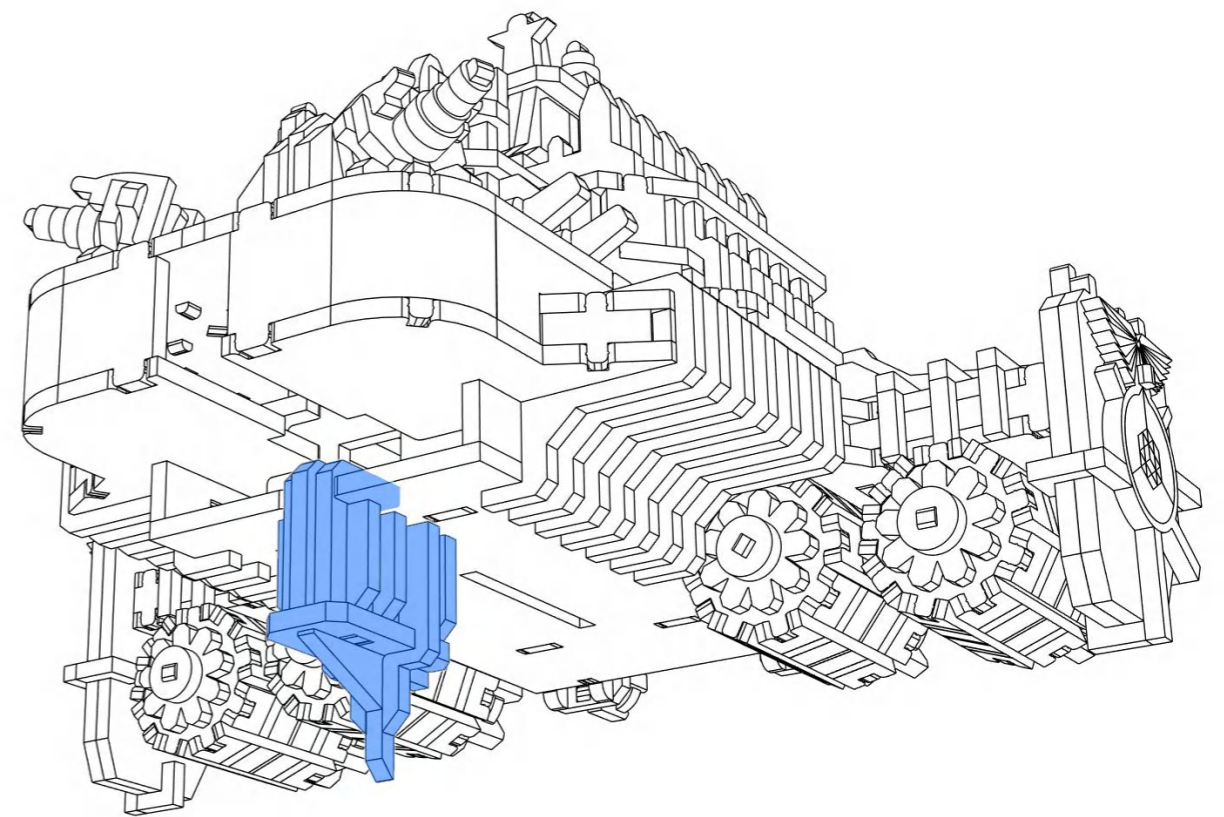
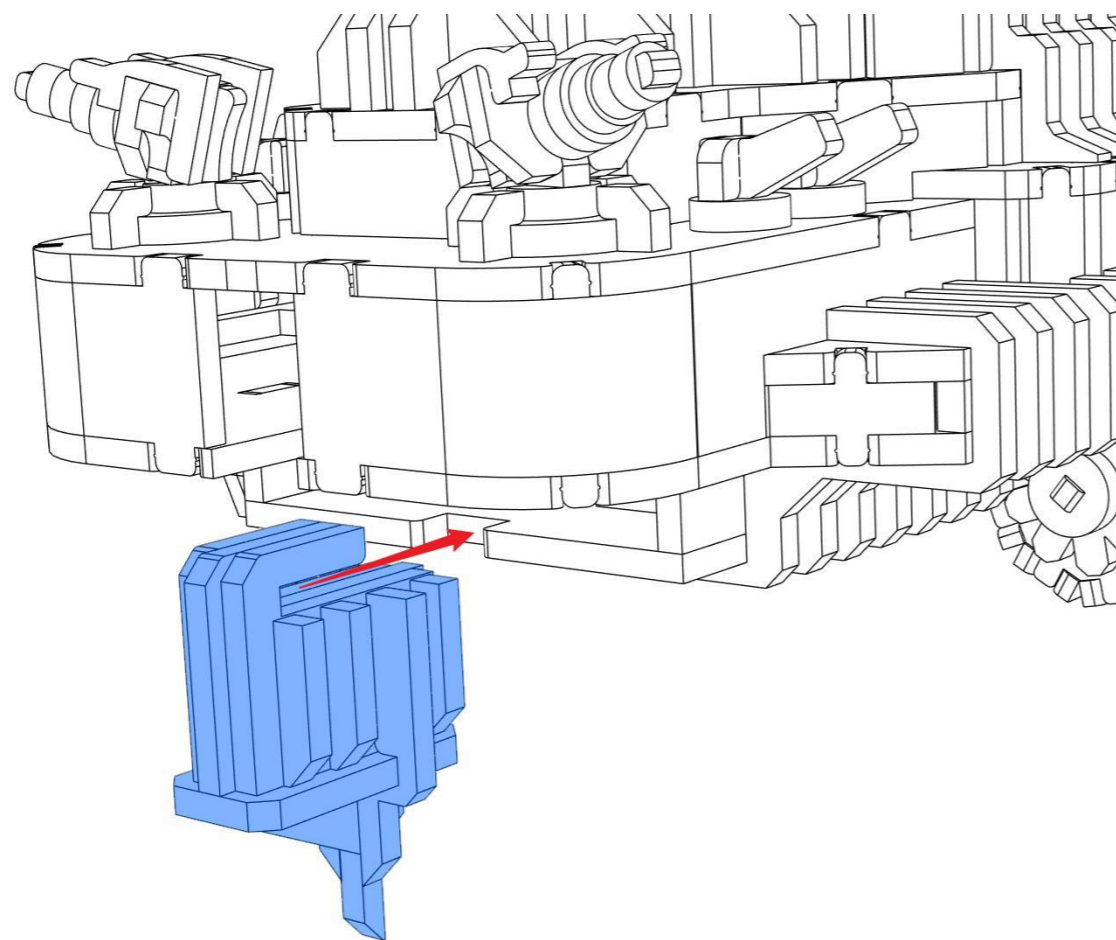
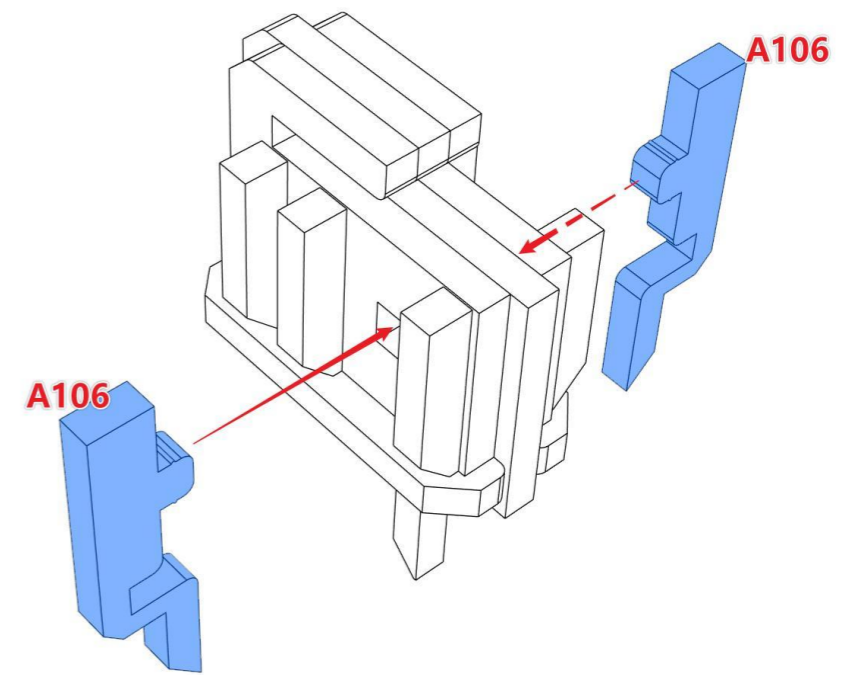
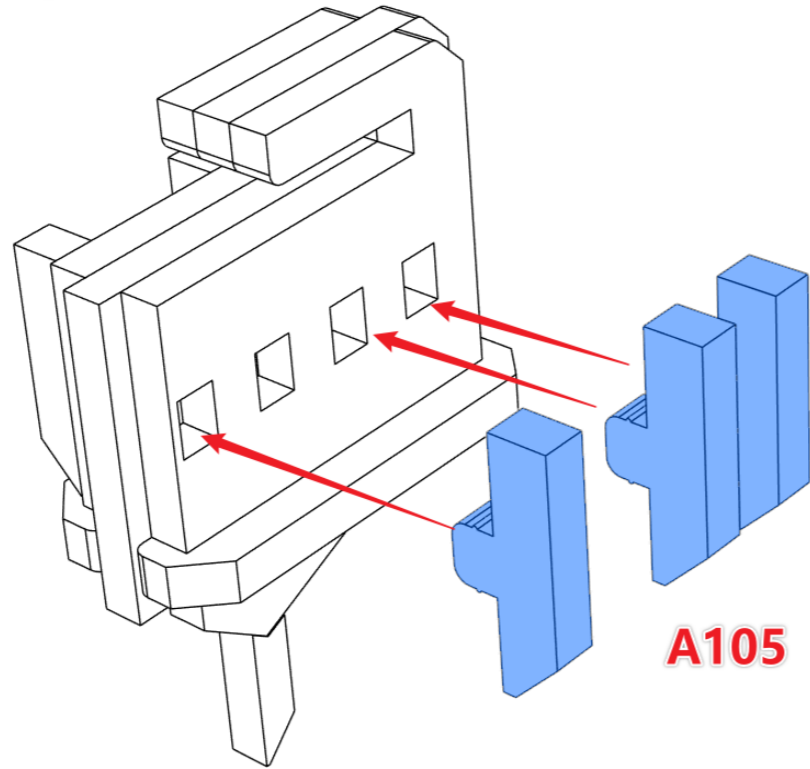


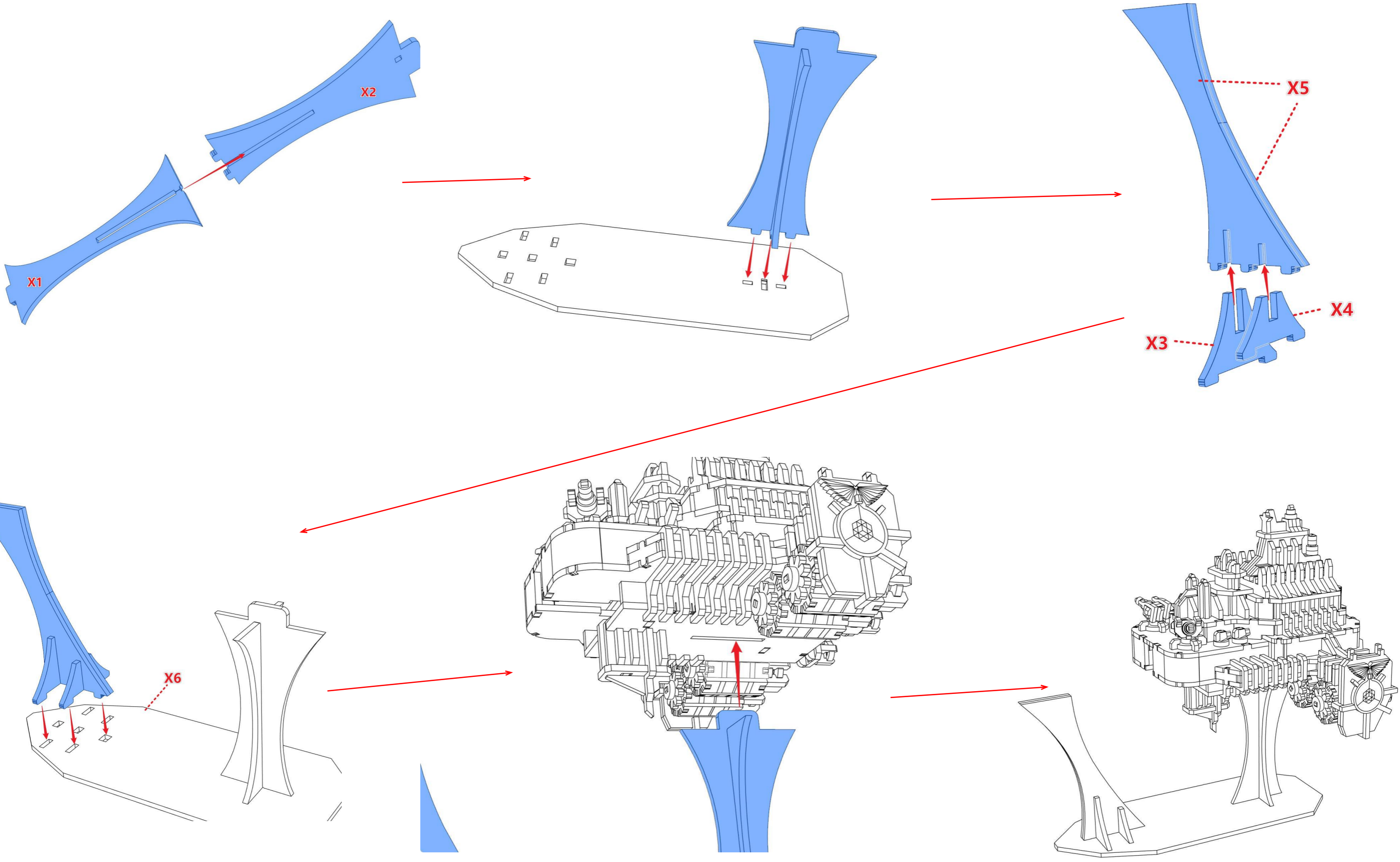
Repeat the previous steps to complete the assembly on the other side.

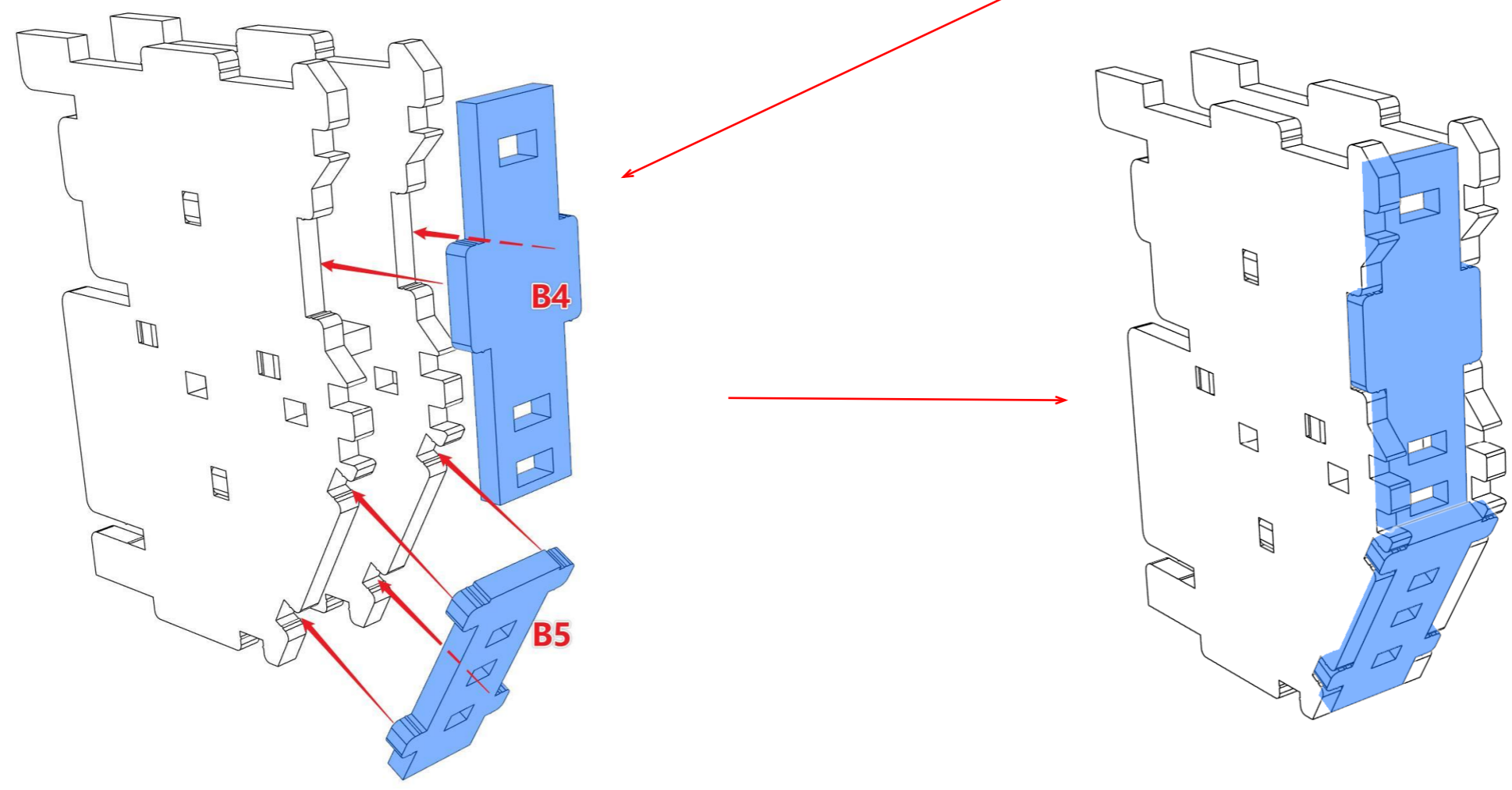
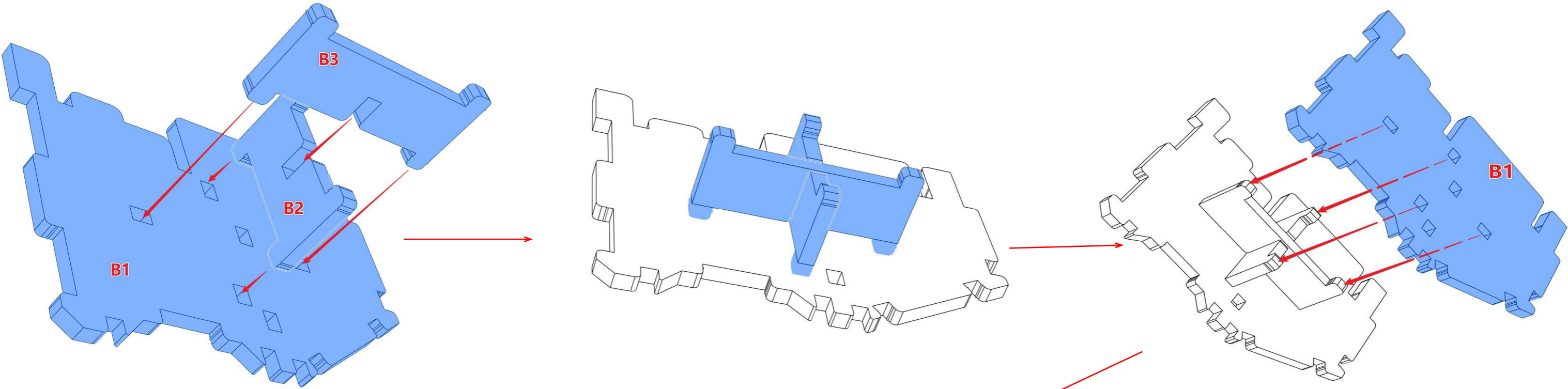


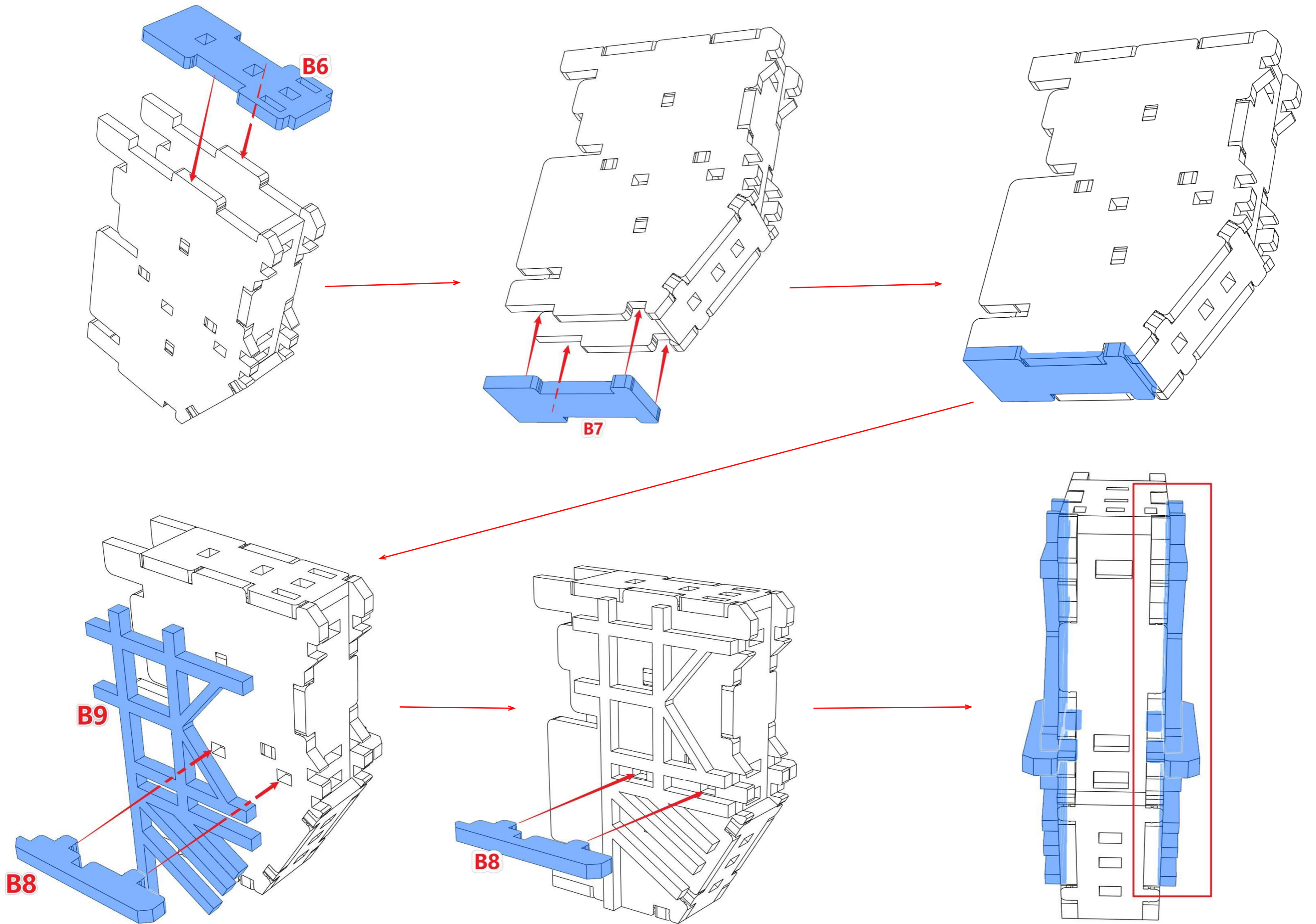


Repeat the previous steps to complete the assembly on the other side.

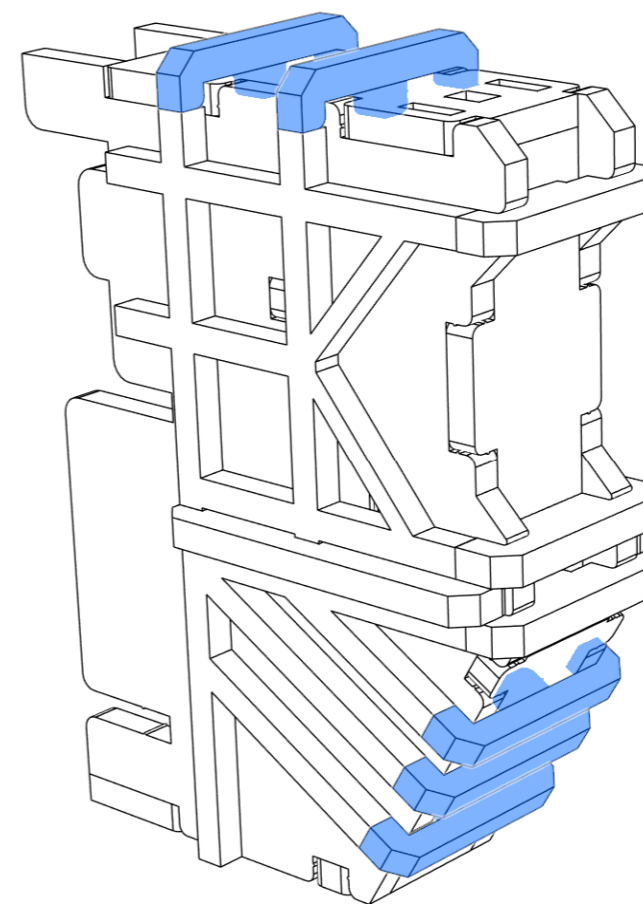
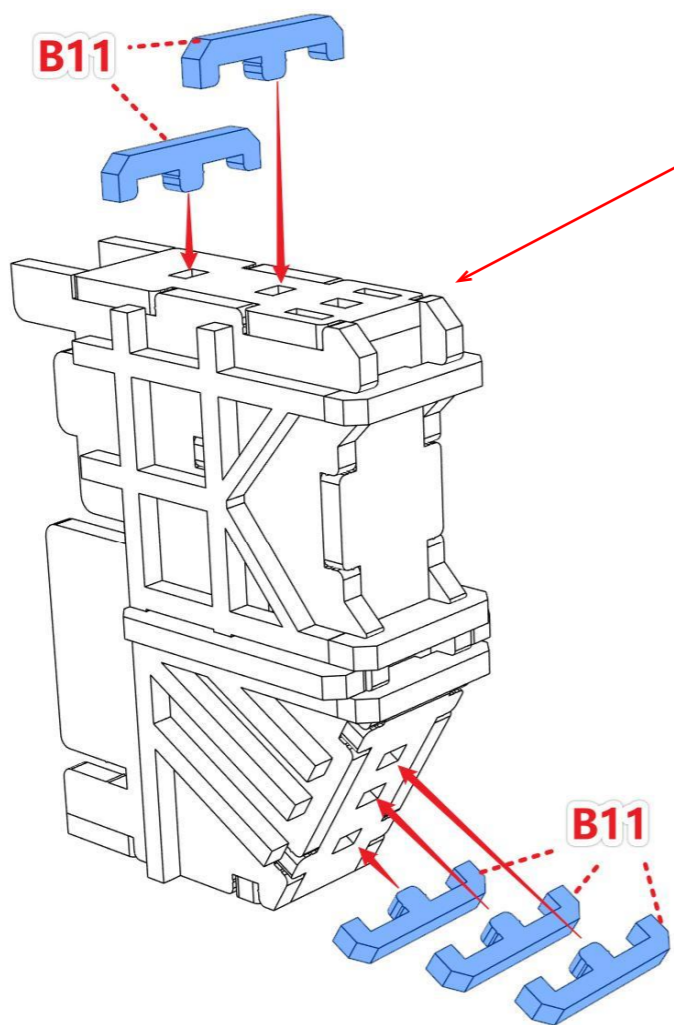
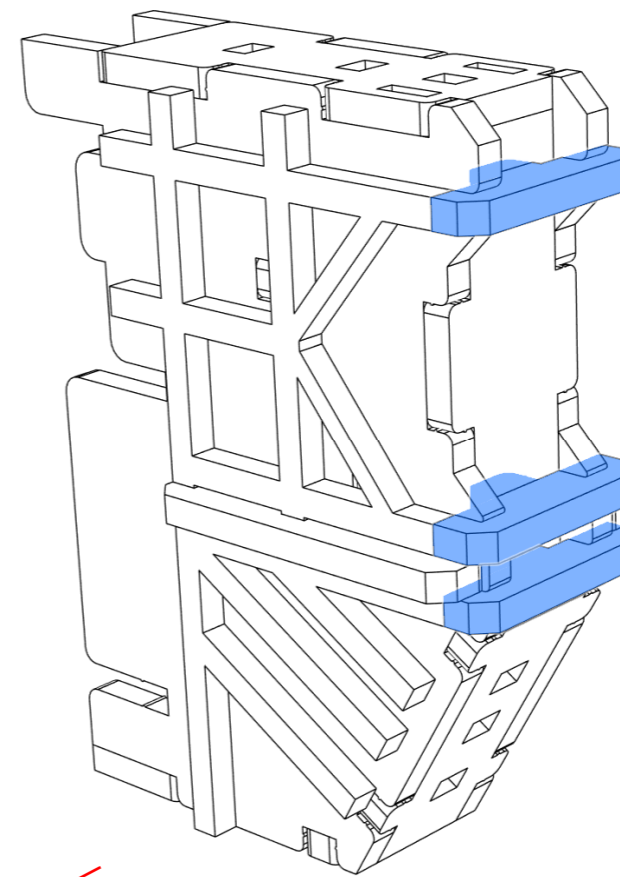
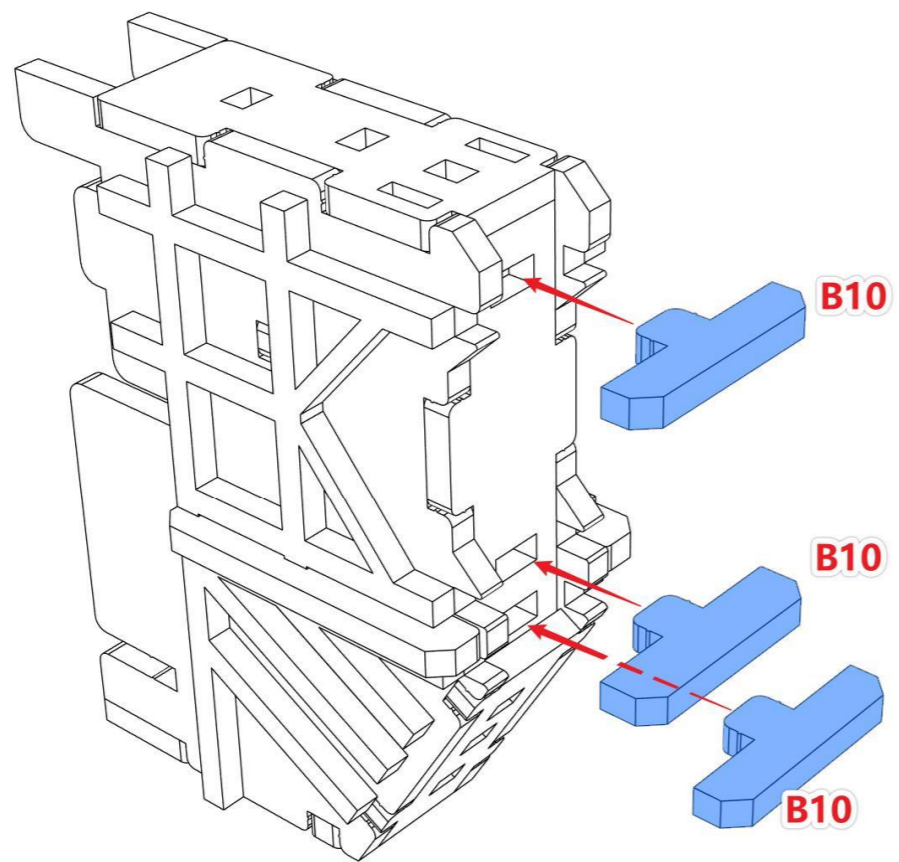


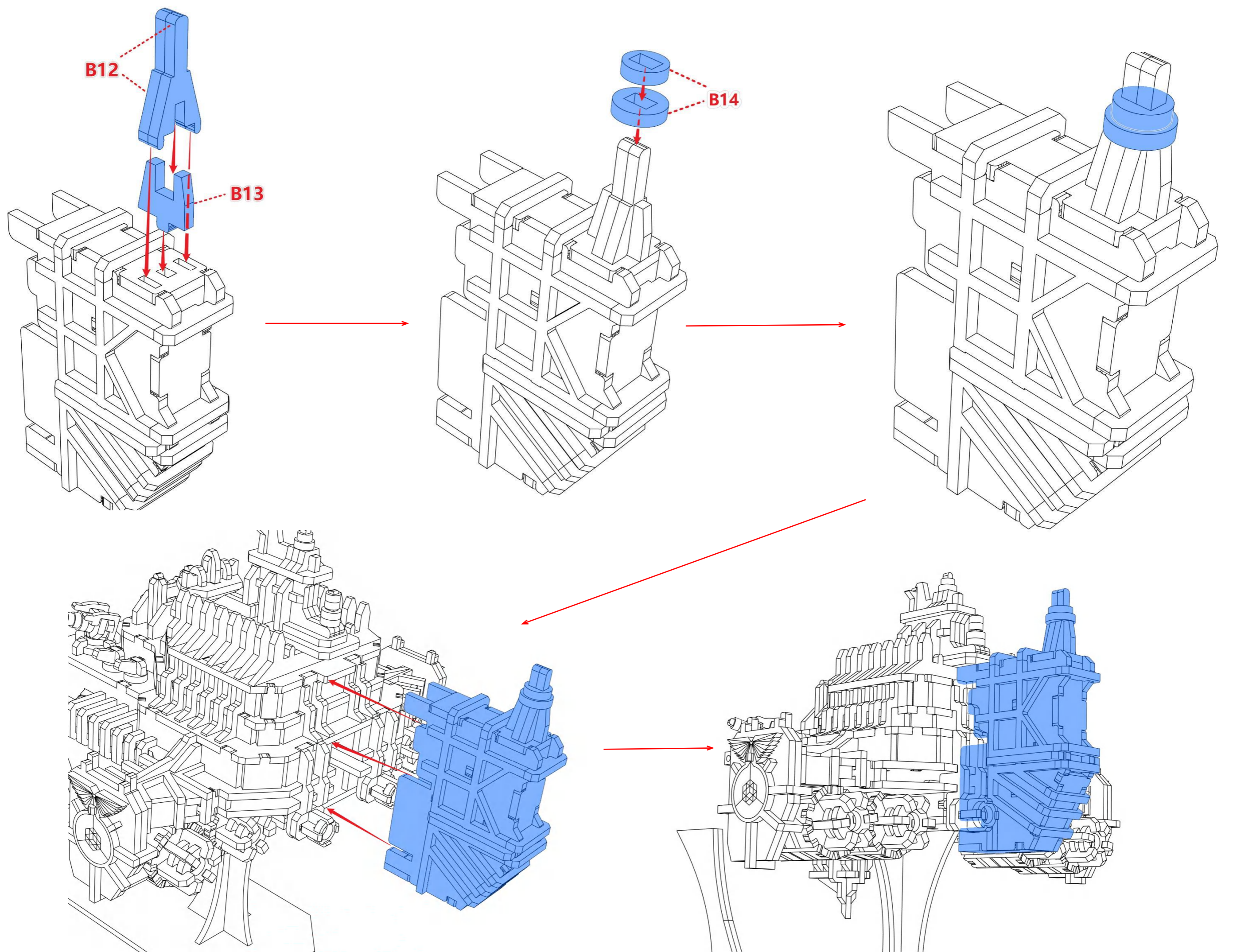


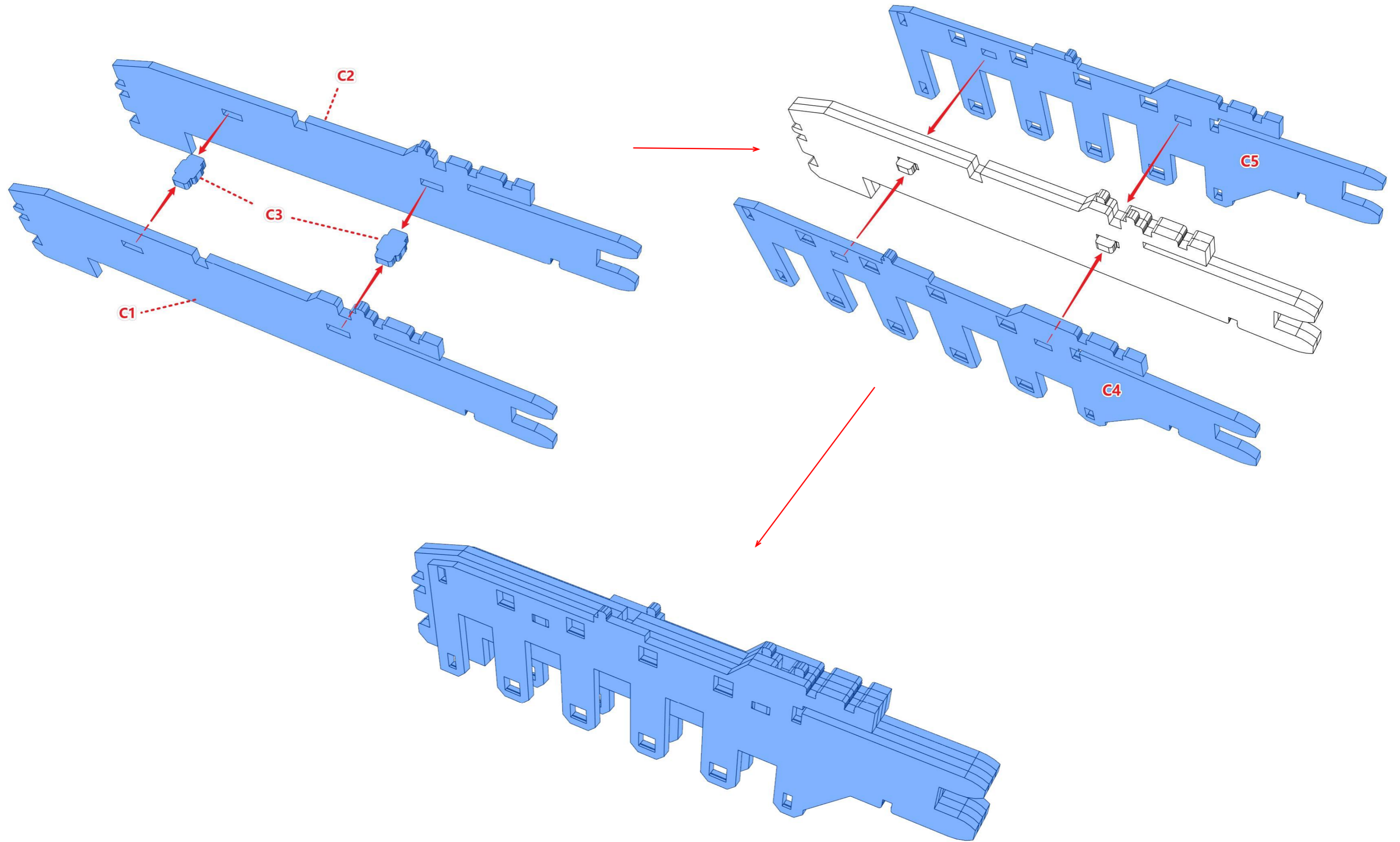


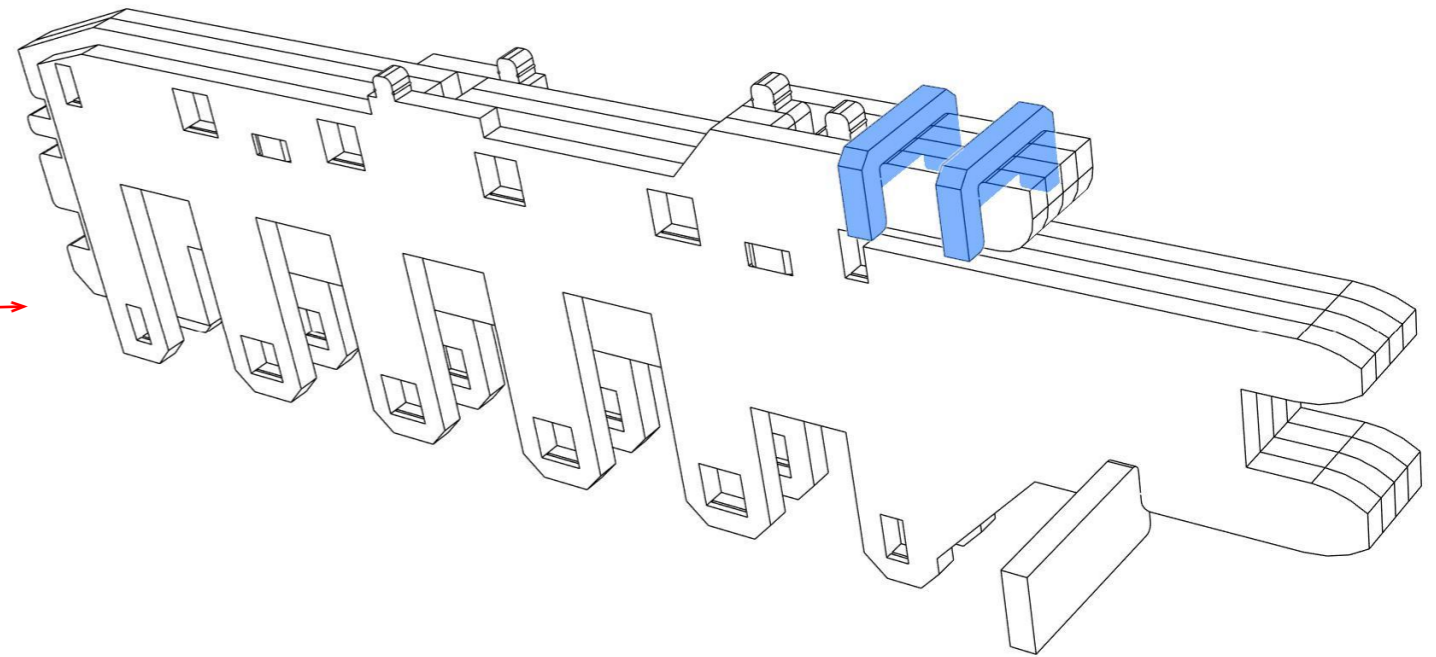
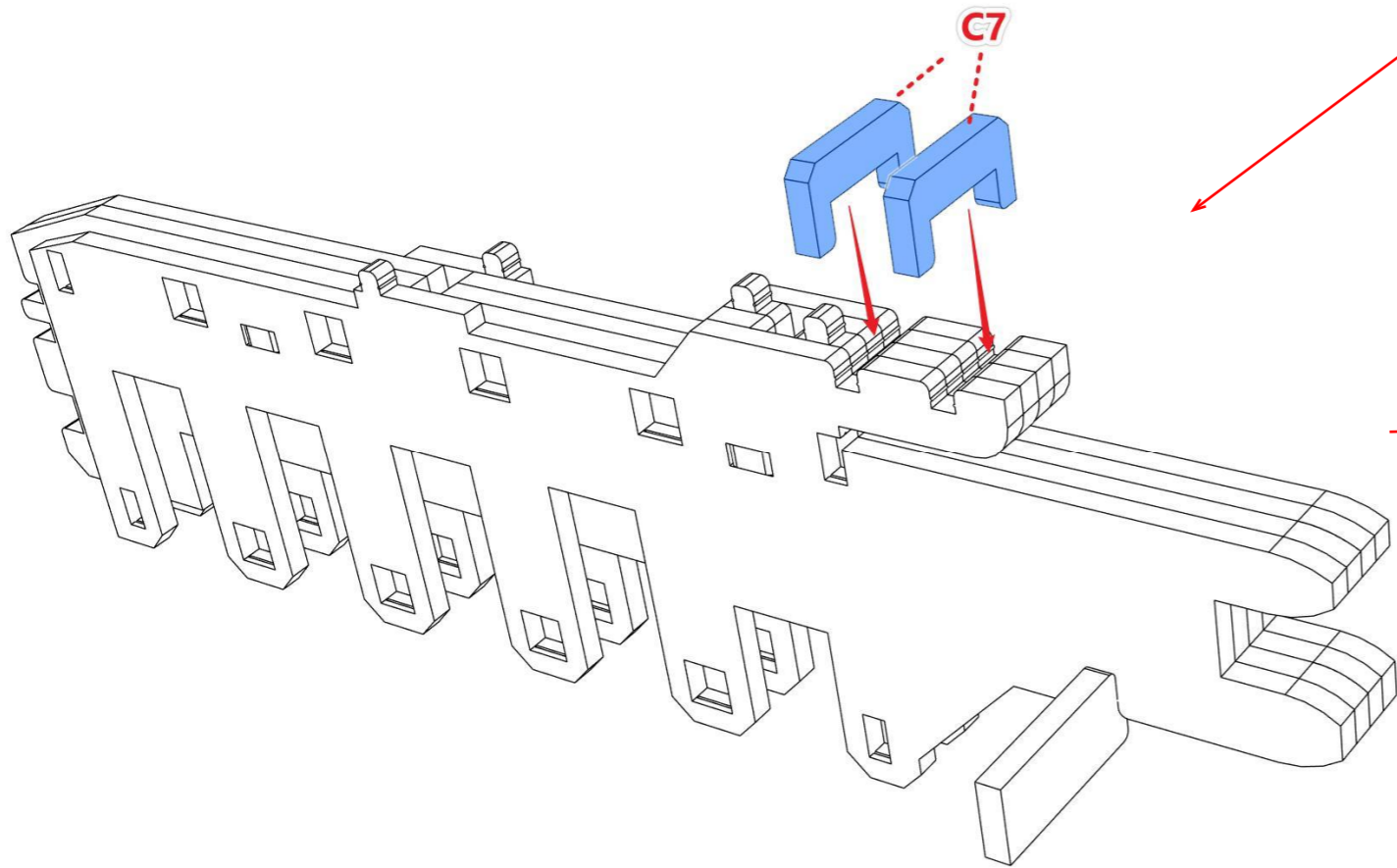
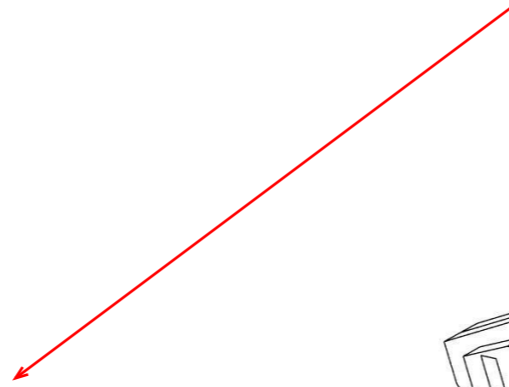
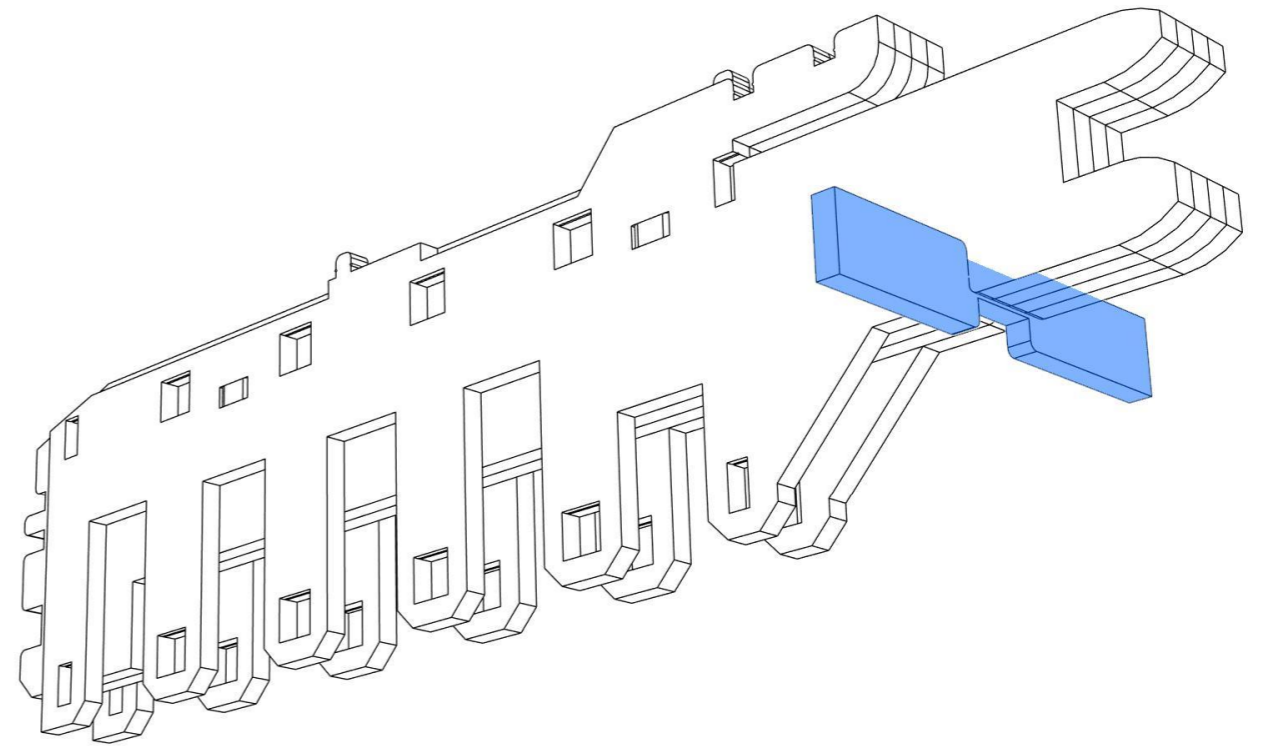
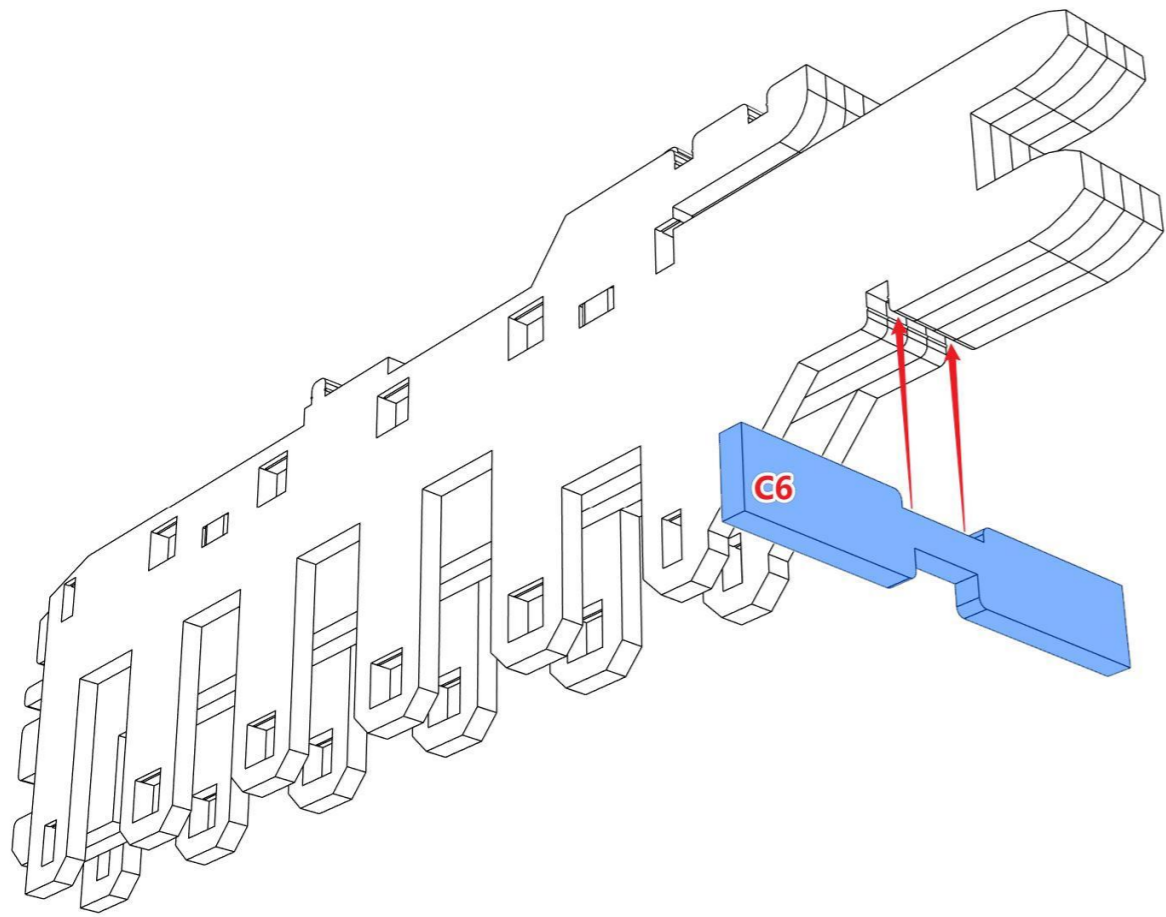


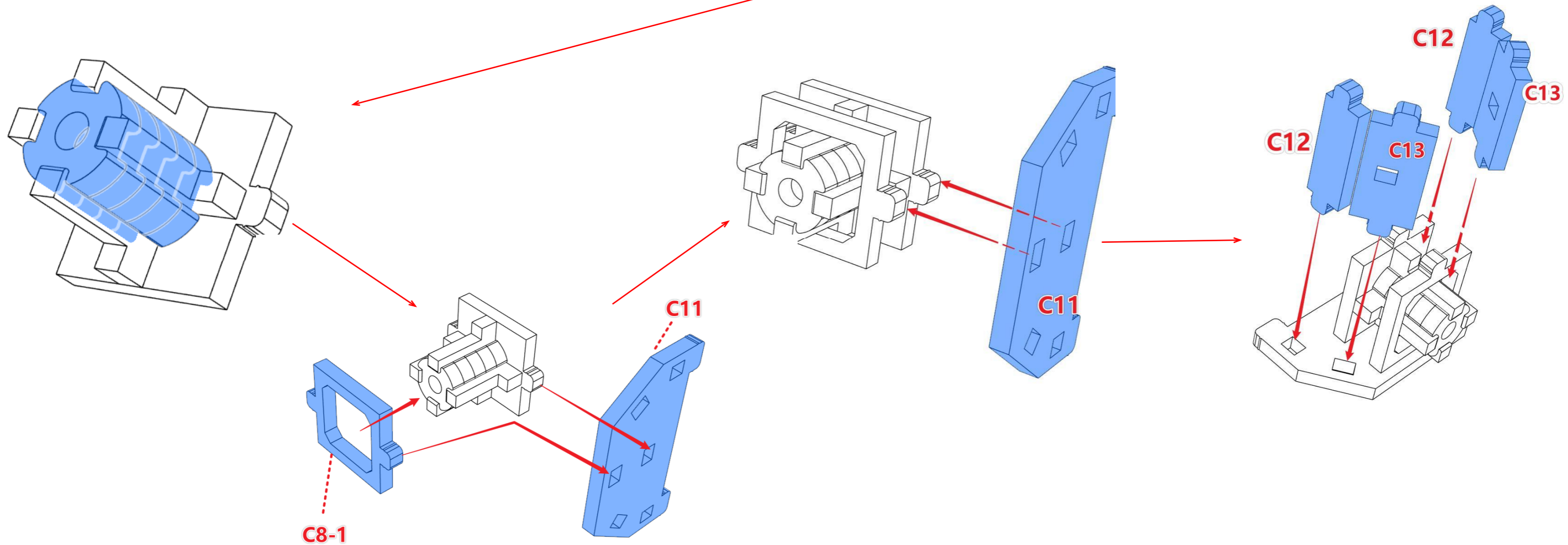
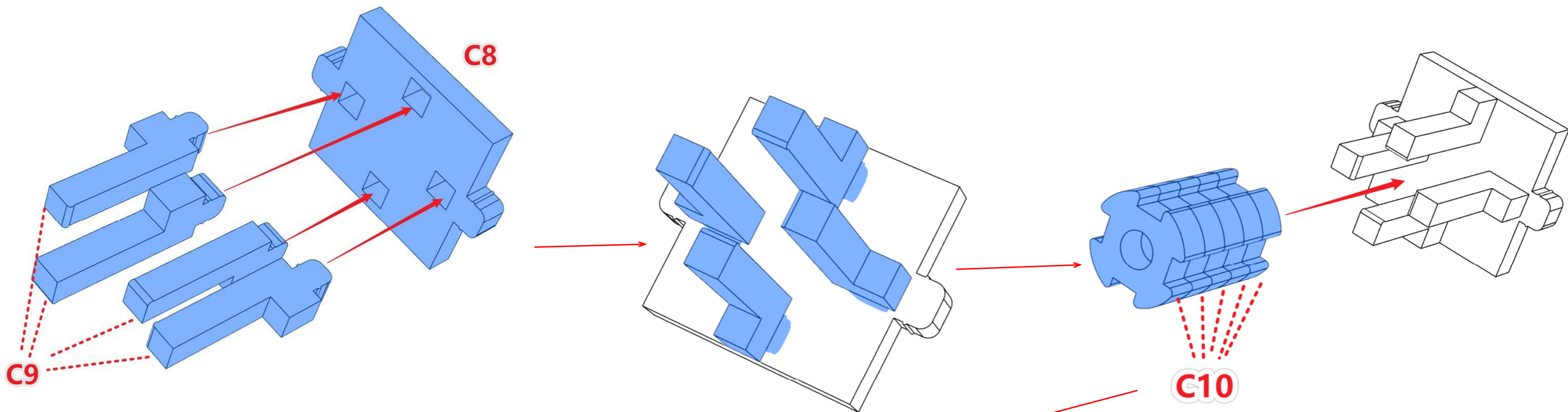
Repeat the previous steps to complete the assembly on the other side

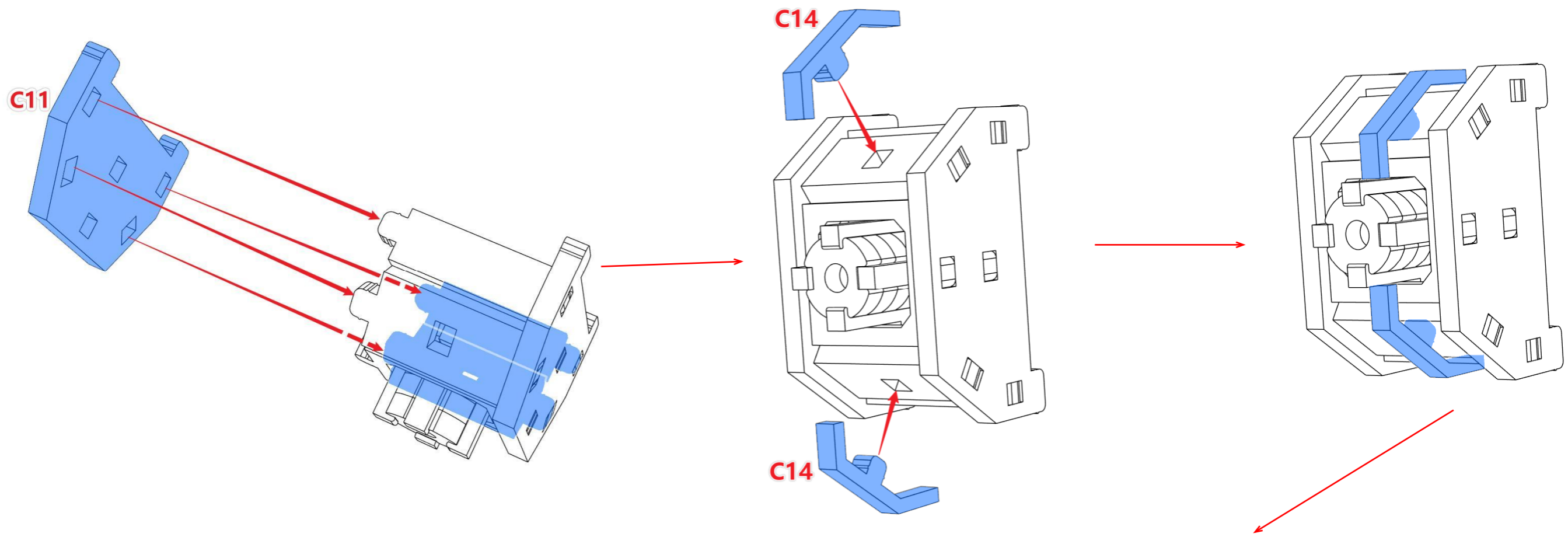




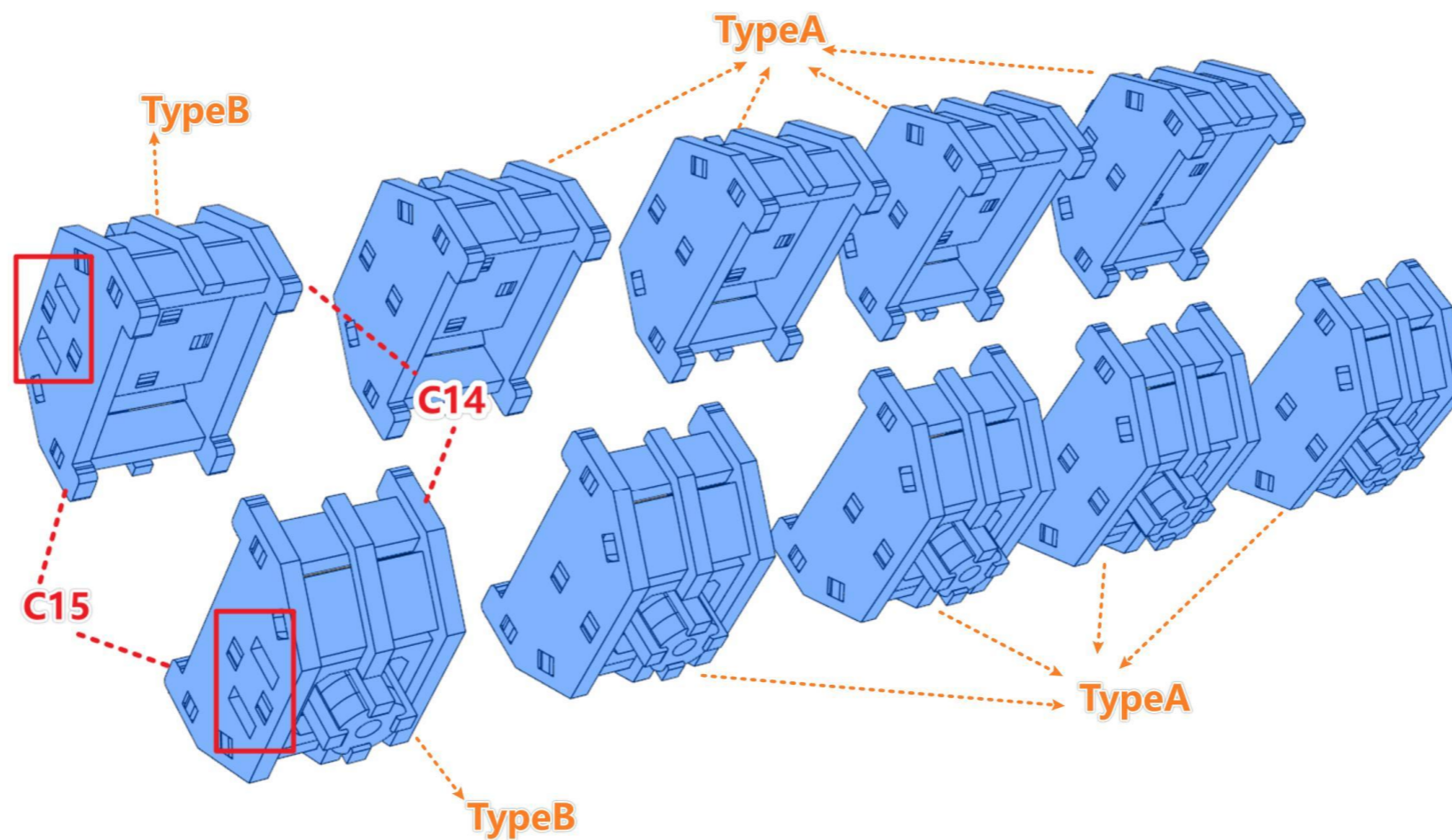




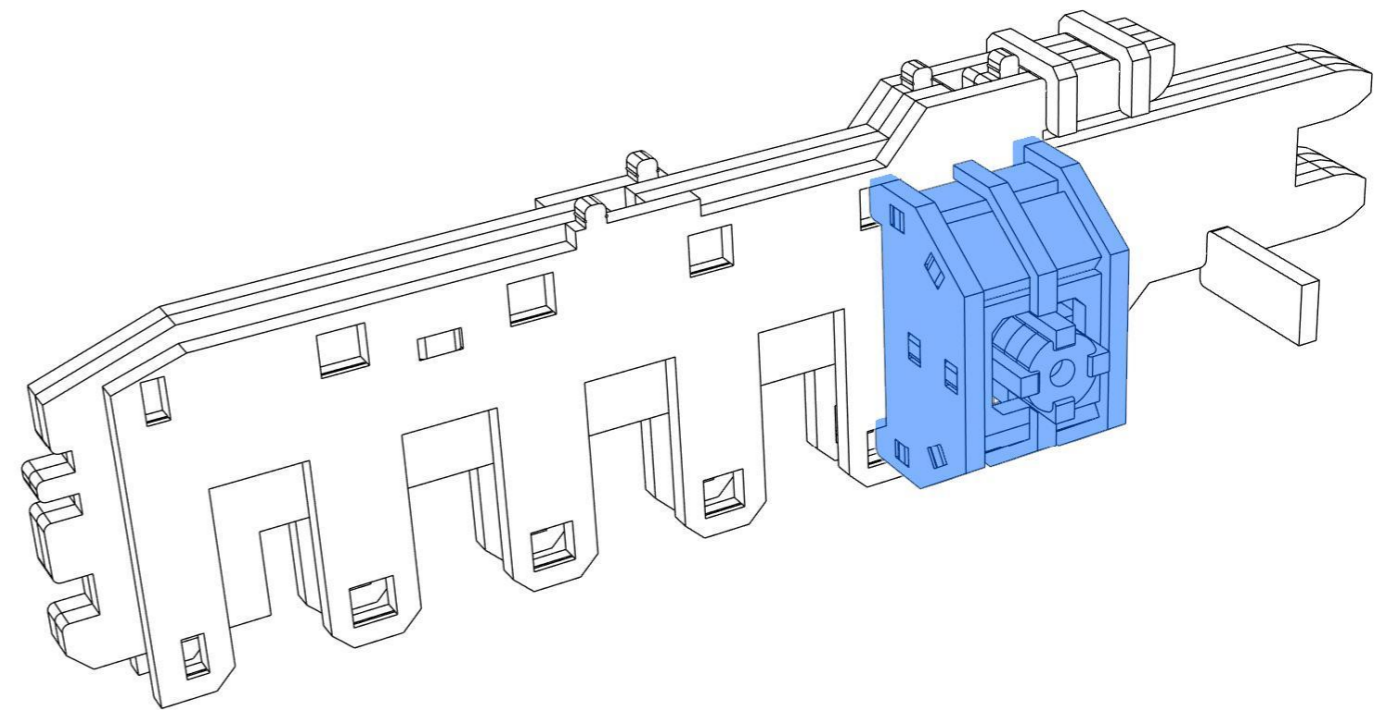
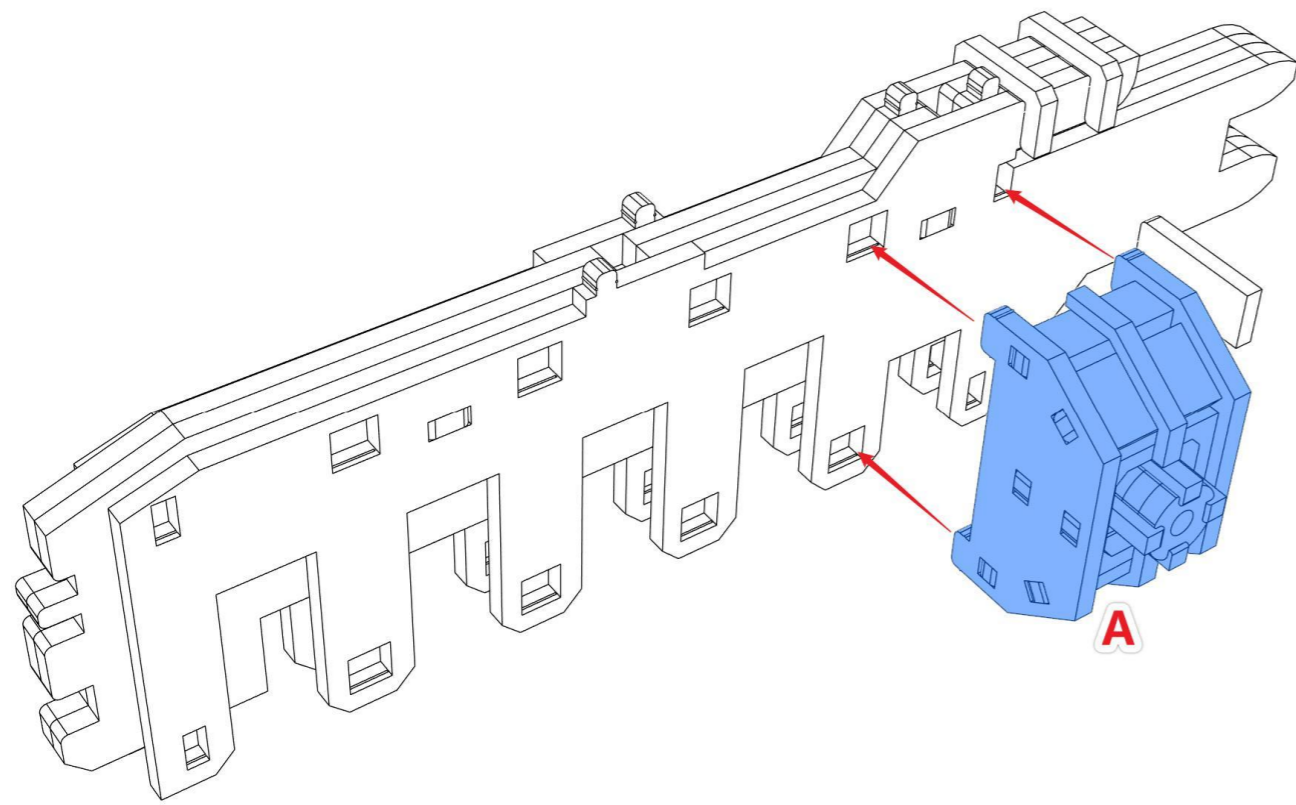




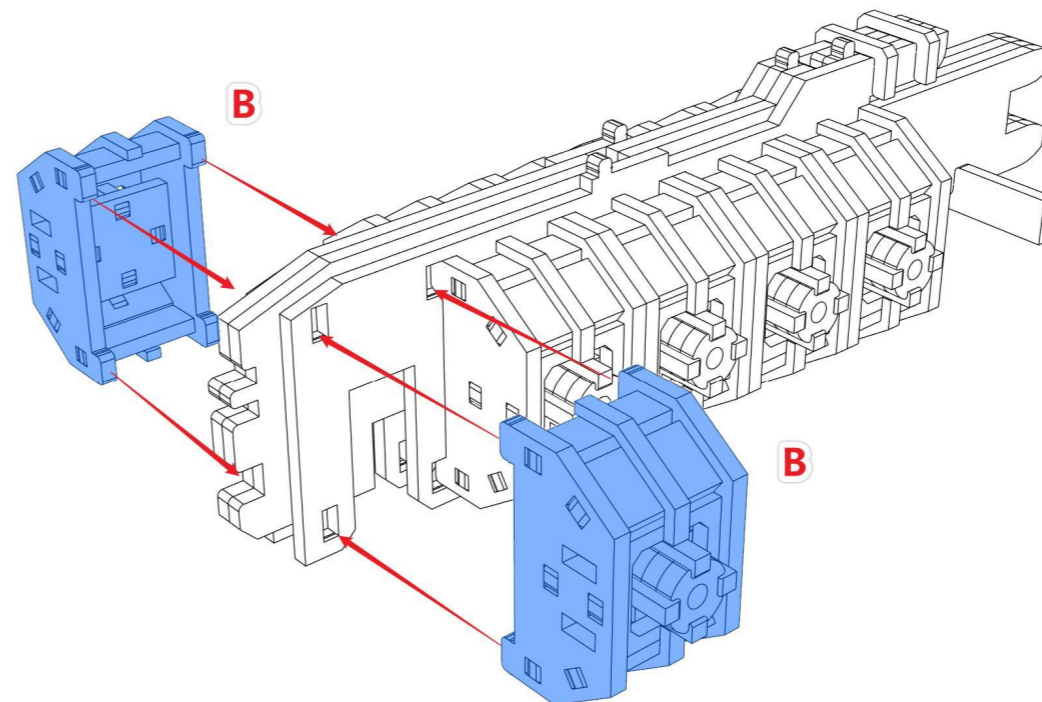
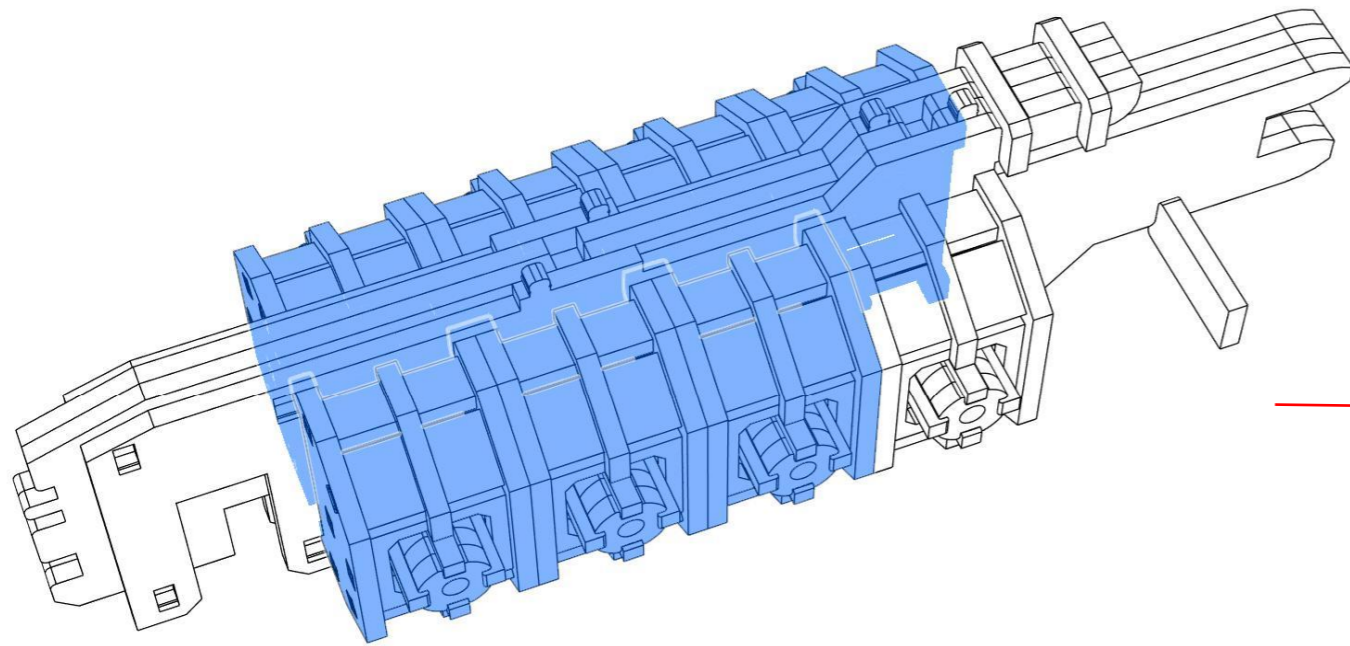
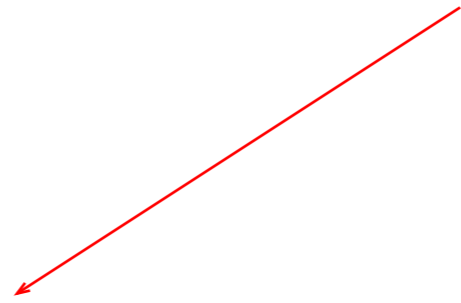
Repeat the previous steps to complete the assembly of the remaining 9 components

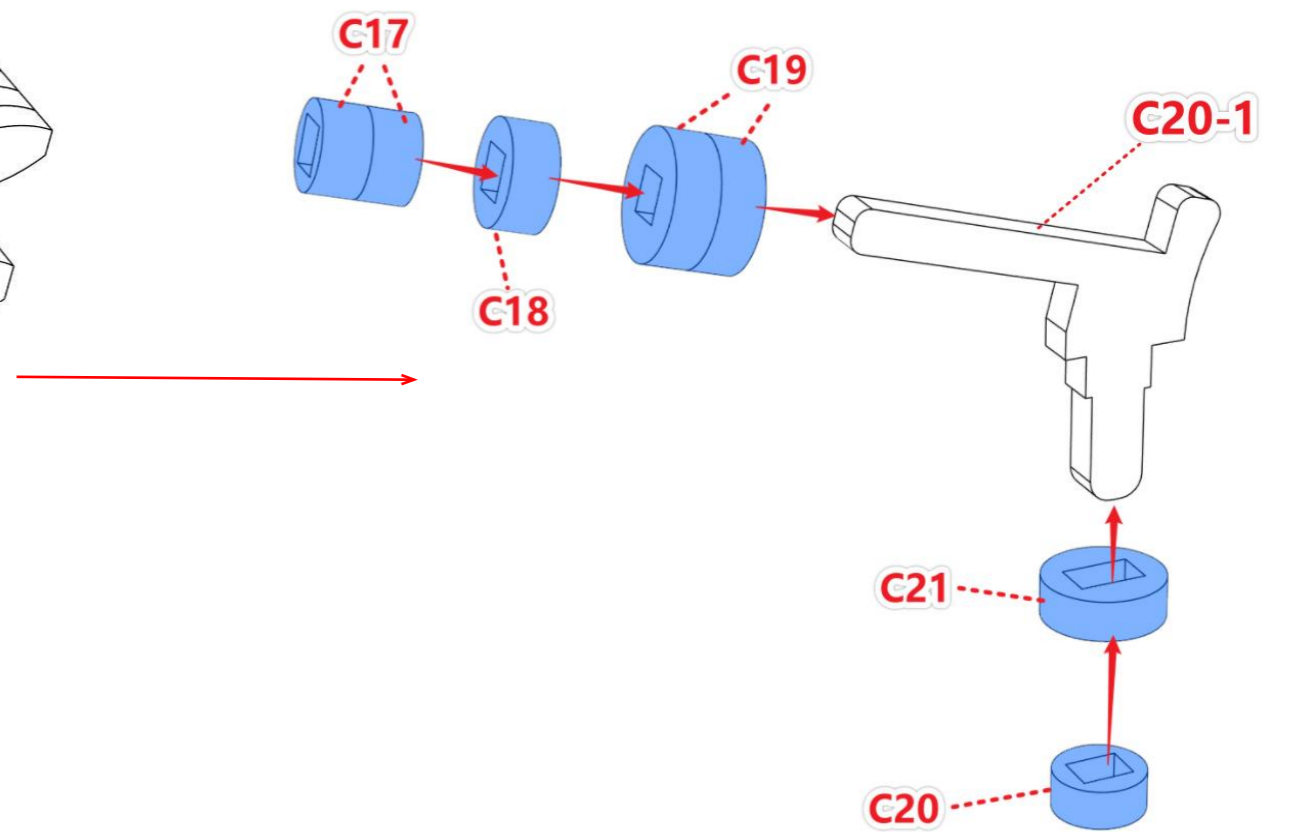
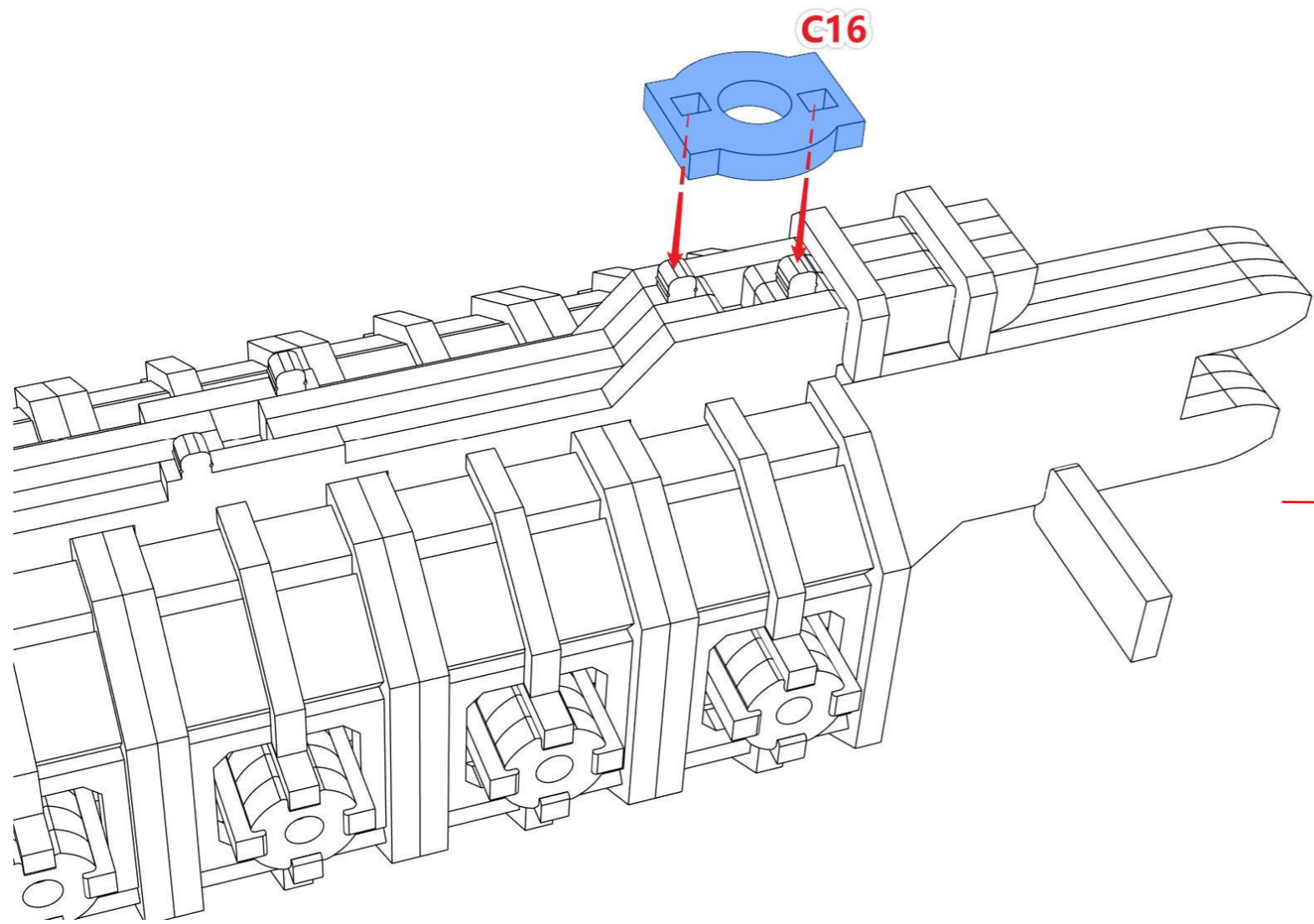
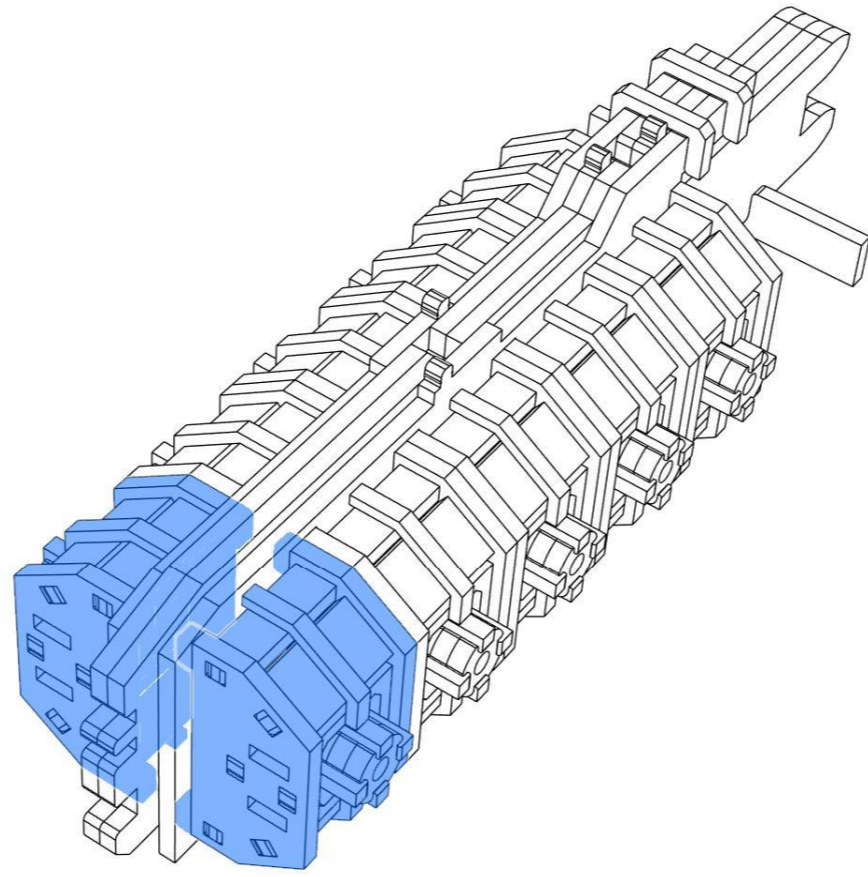


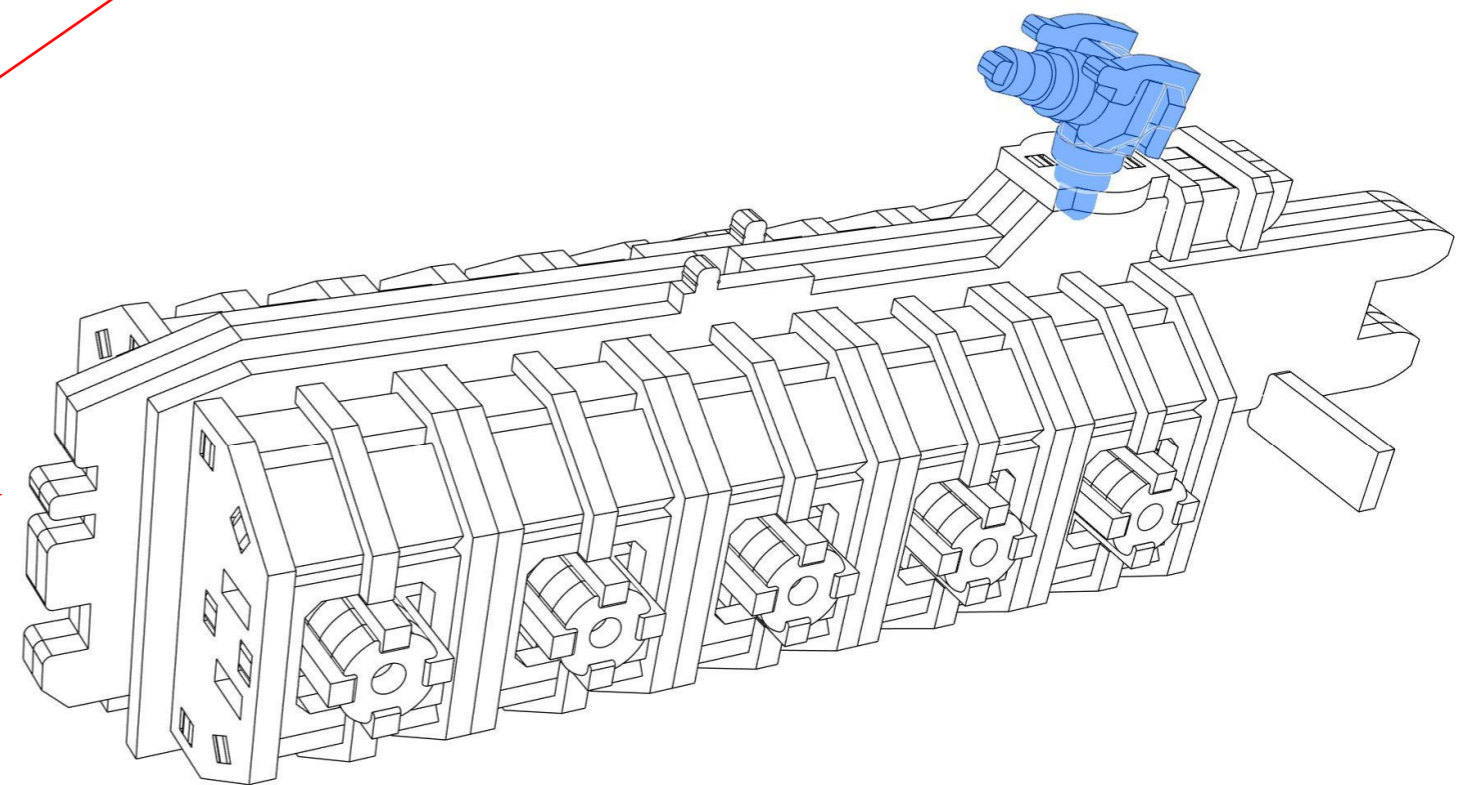
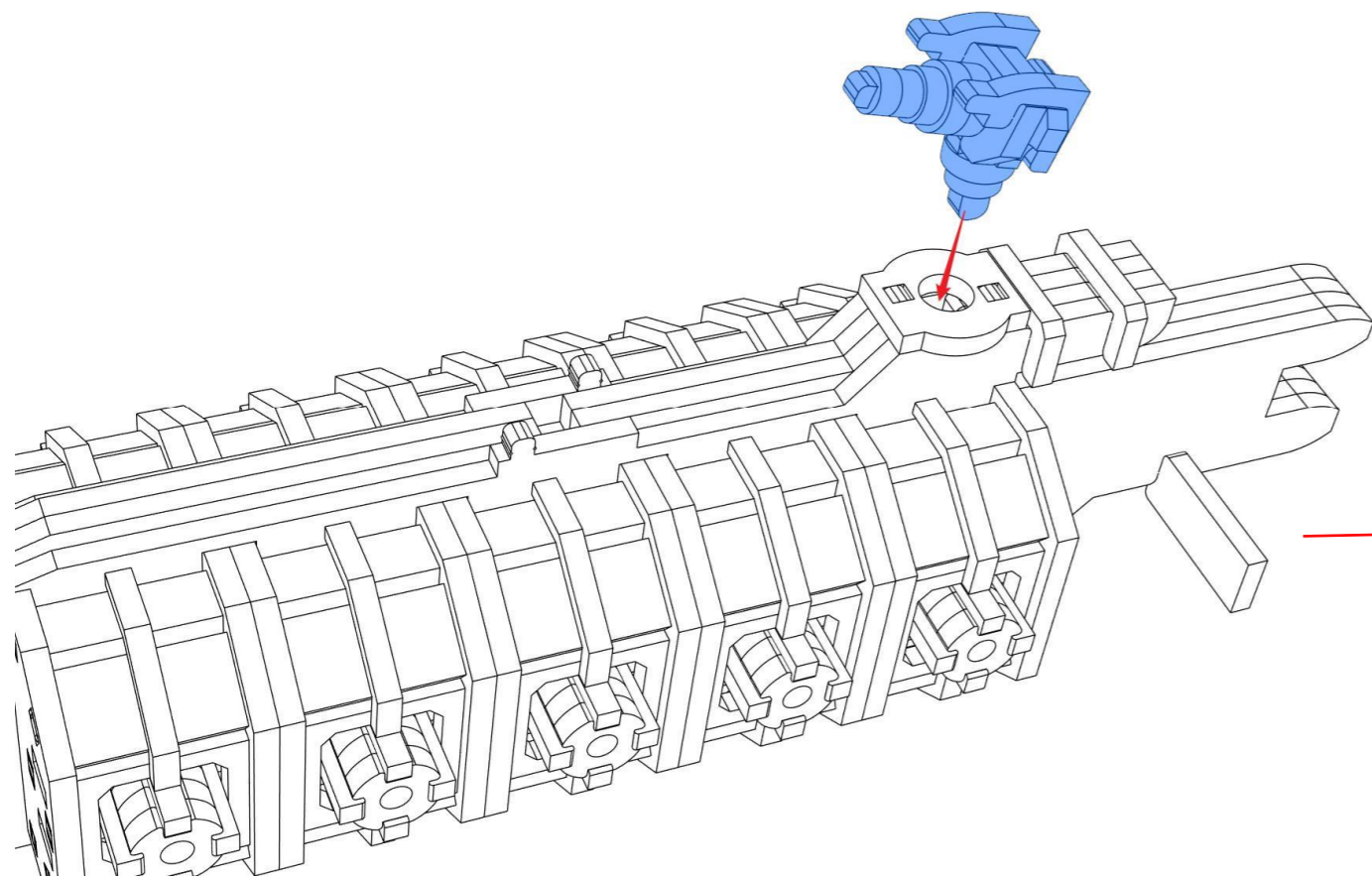
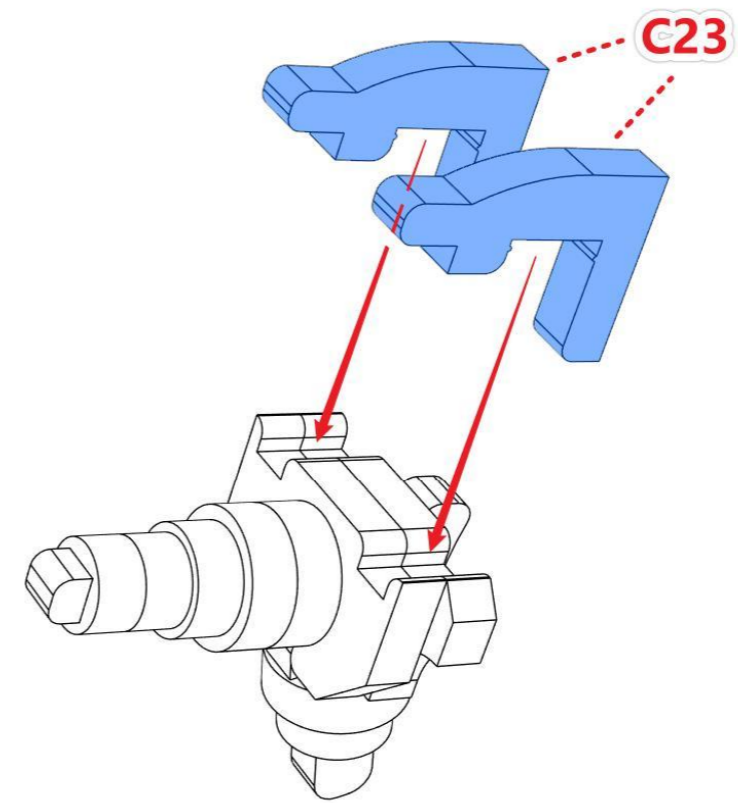
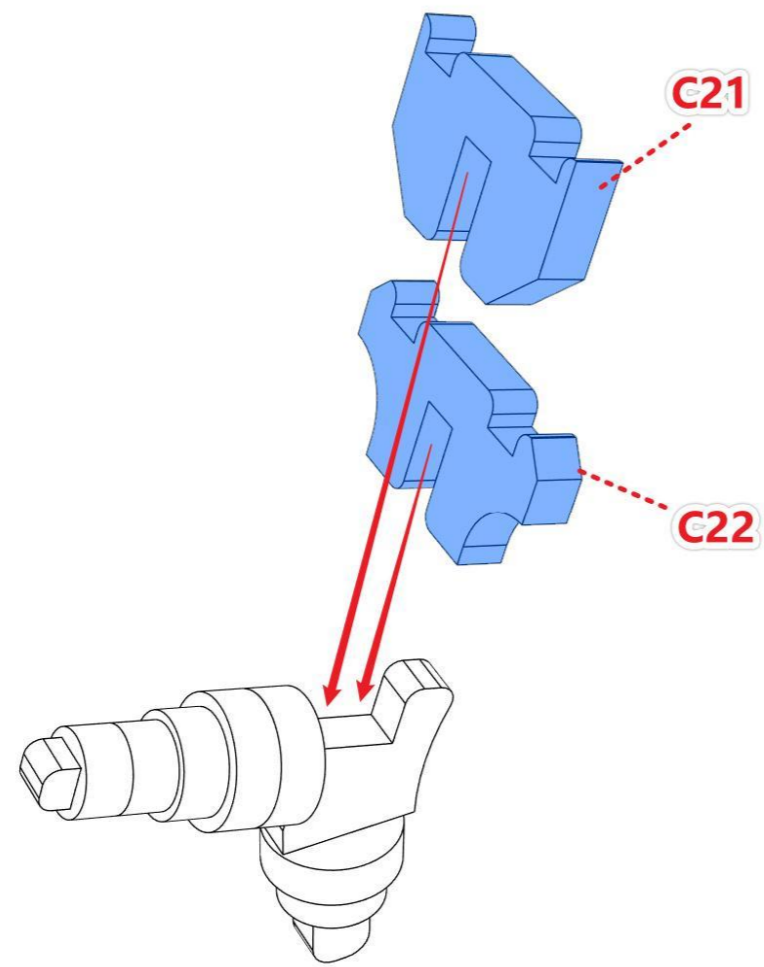
"Pay attention to the boxed area. This part is different from the others — while the other components use part C14, this one uses part C15. Please set it aside."
 To differentiate between the two types of components, I will temporarily label them as Type A and Type B

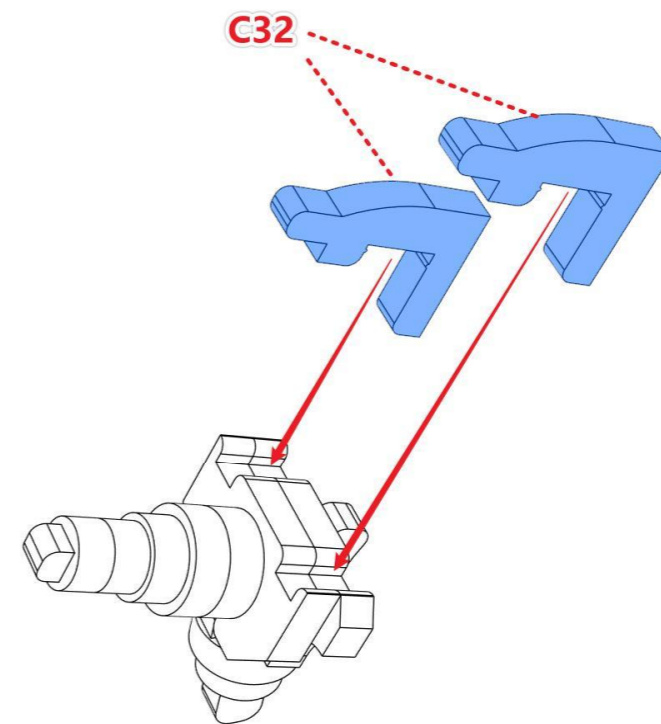
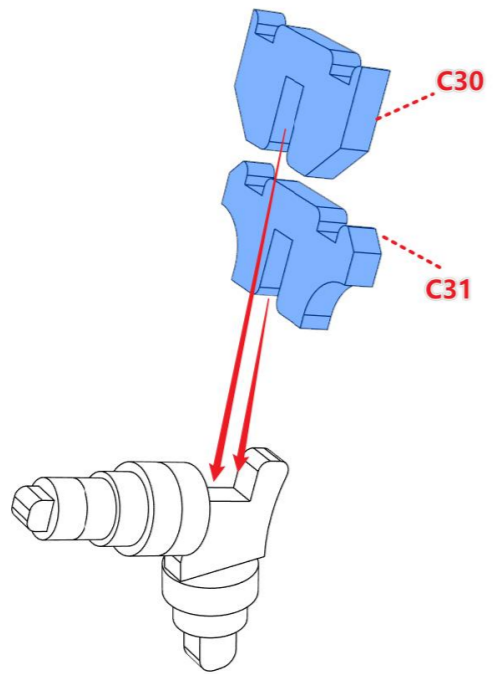
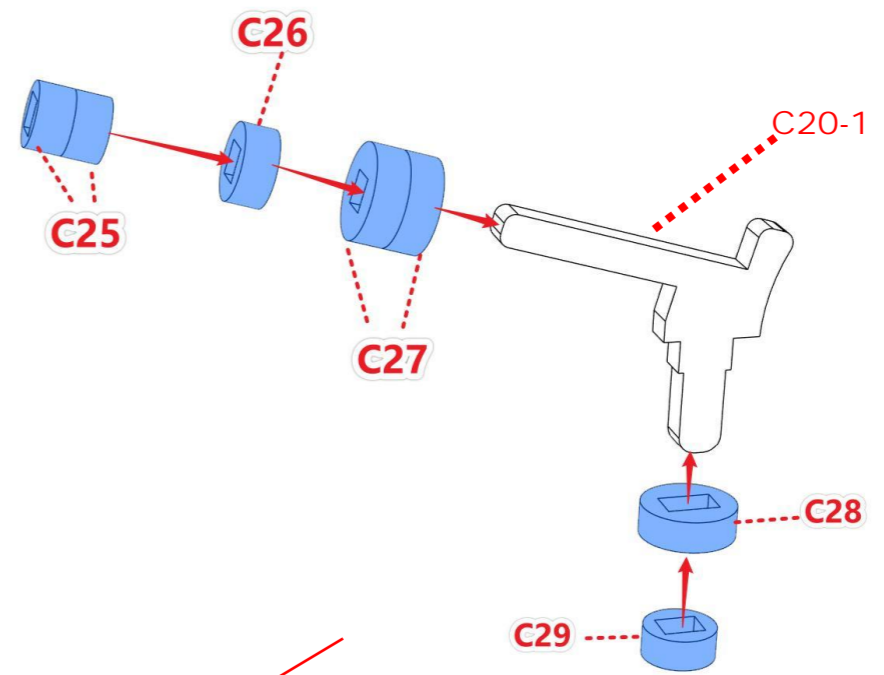
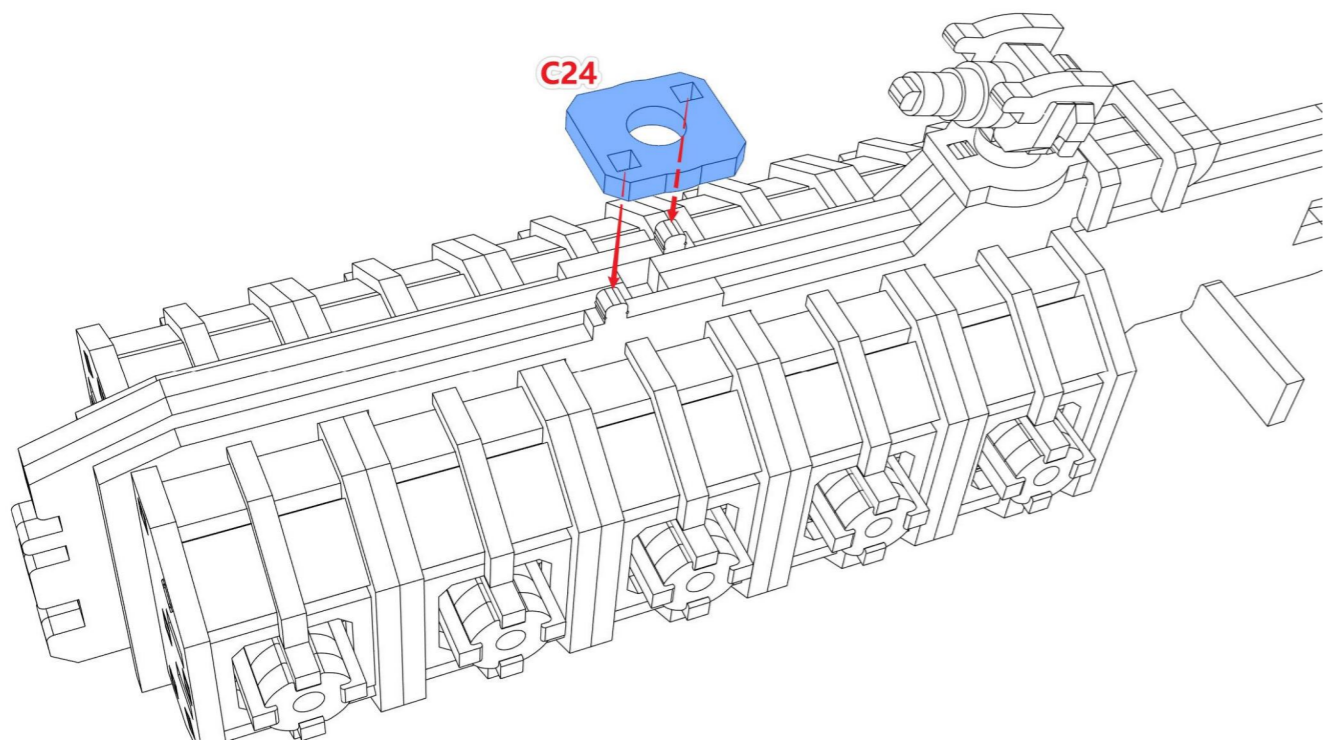


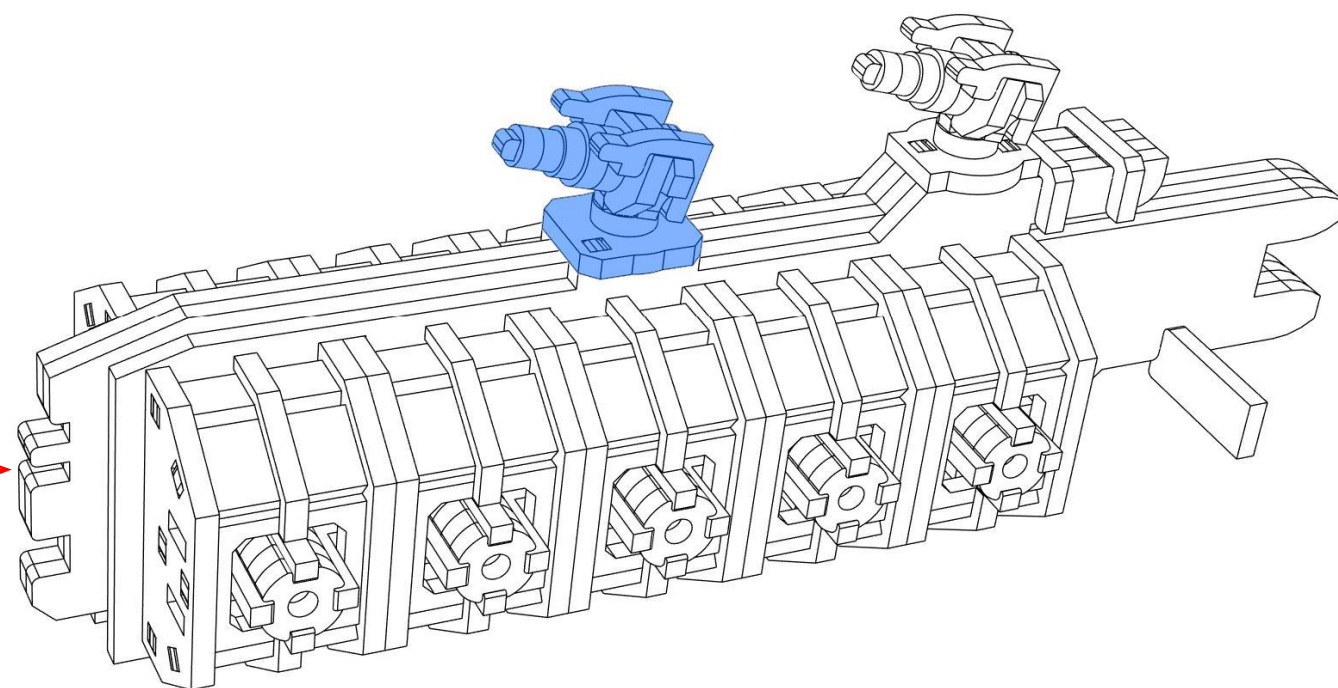
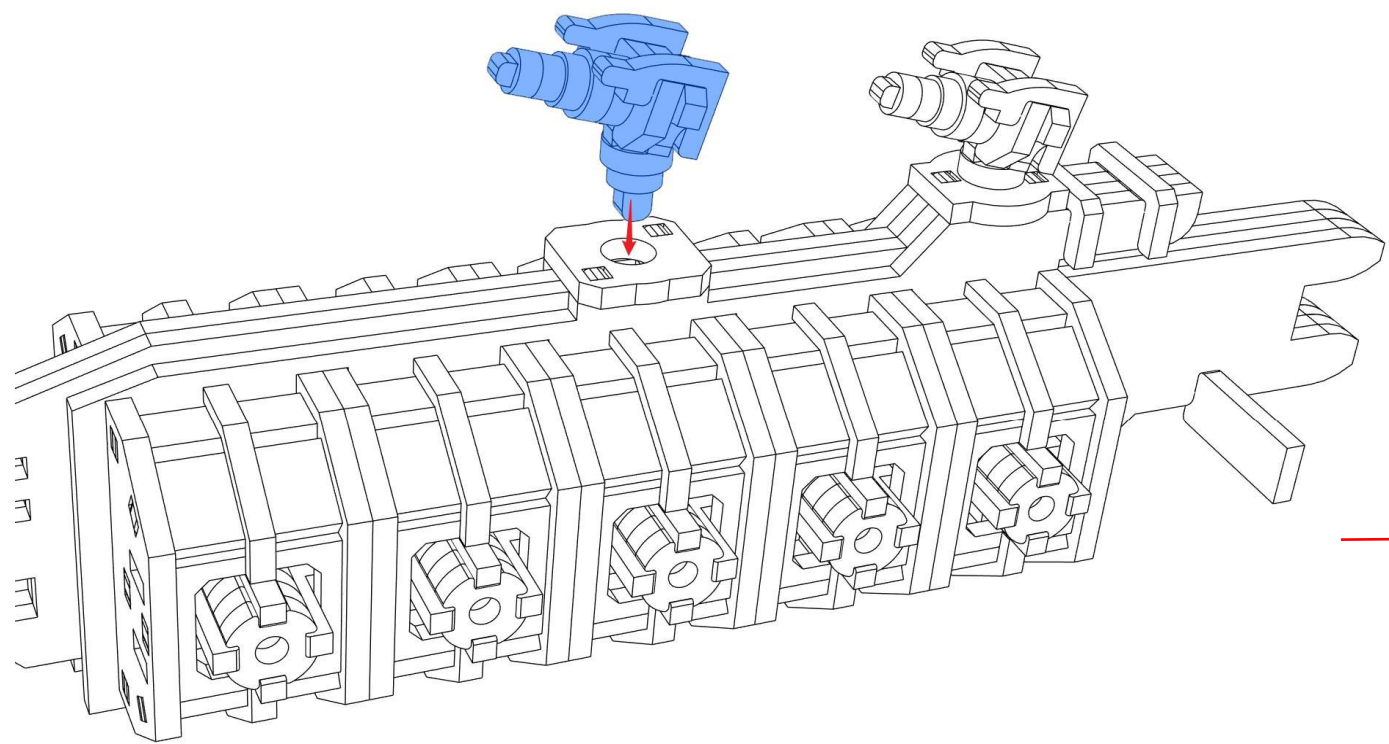
Repeat the previous steps to complete the remaining Type A components.

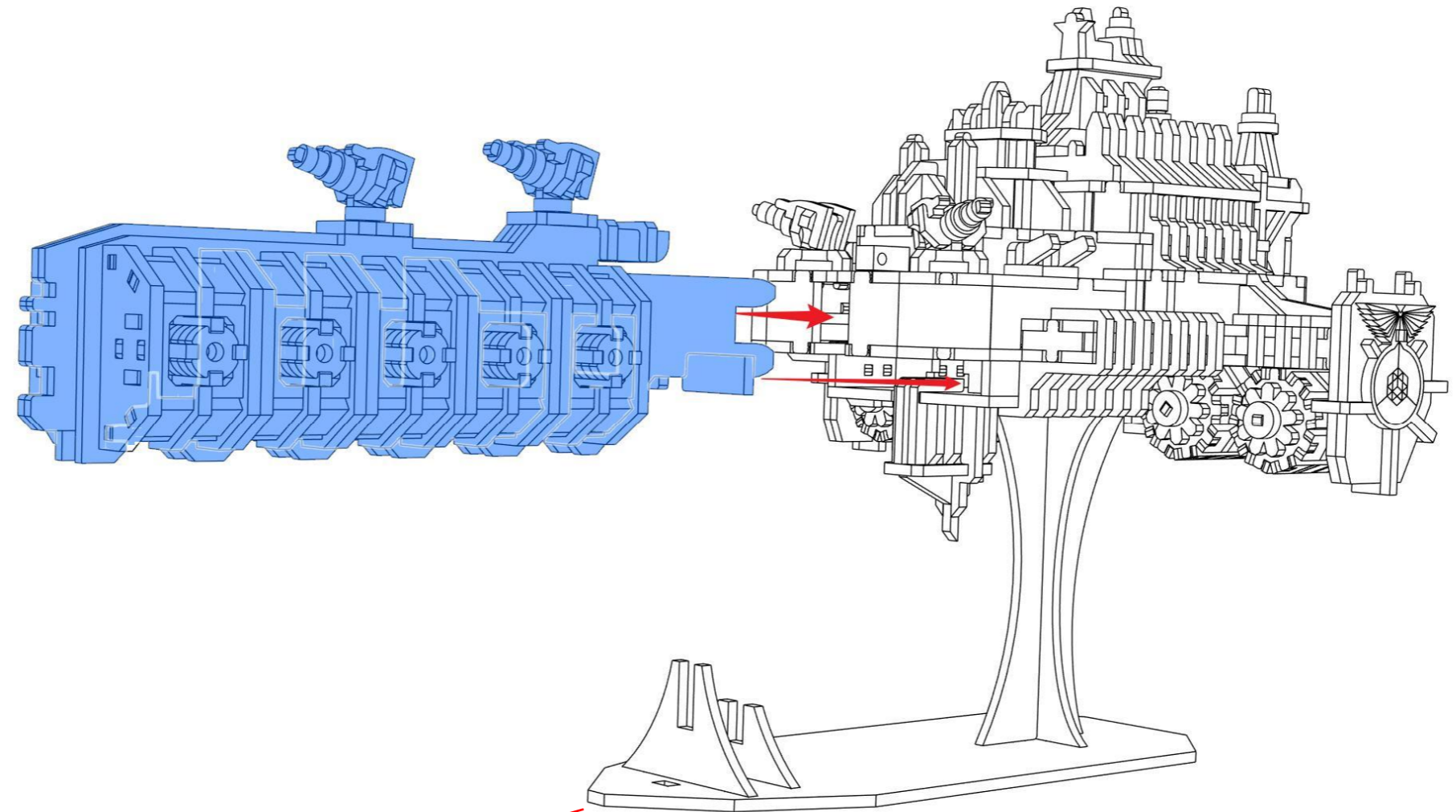




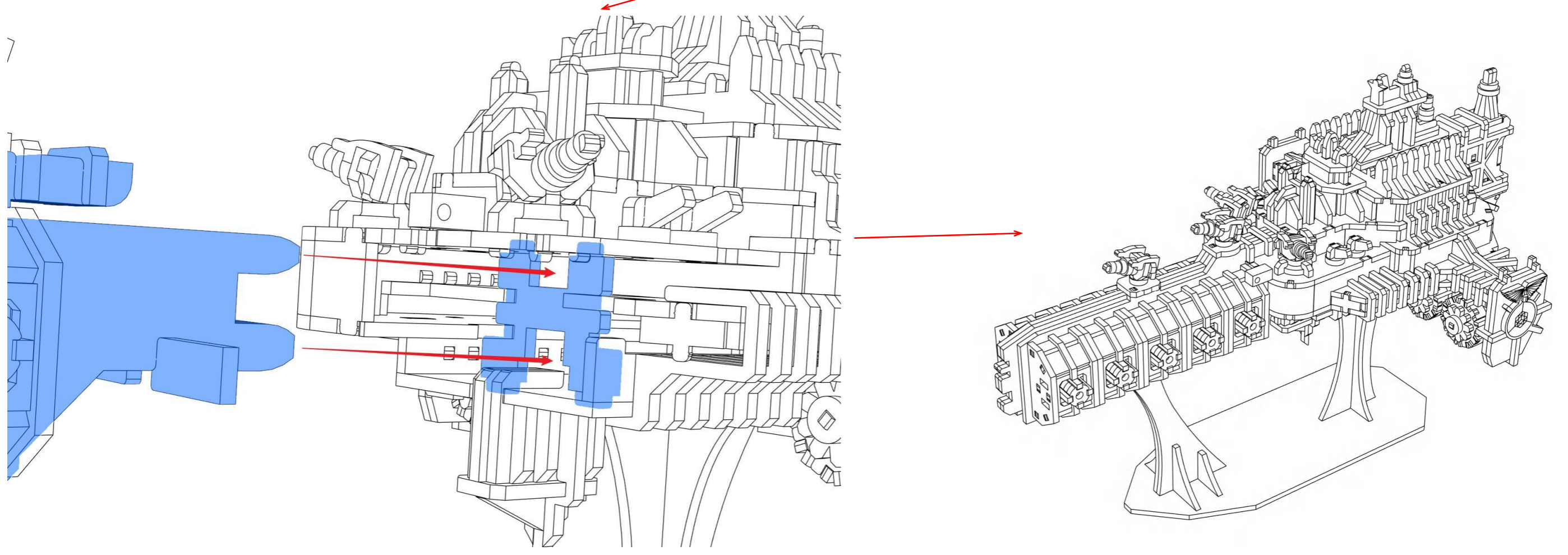


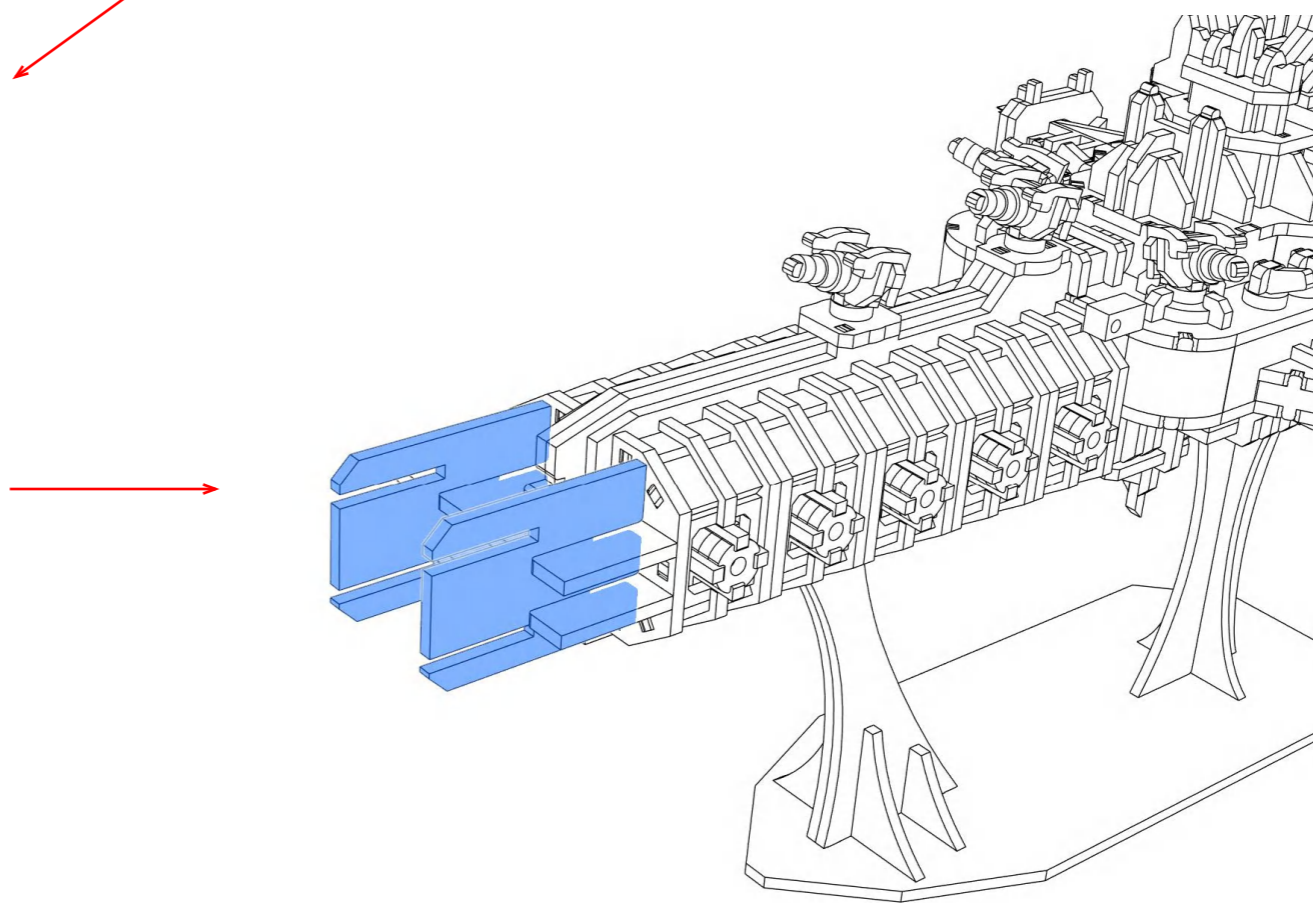
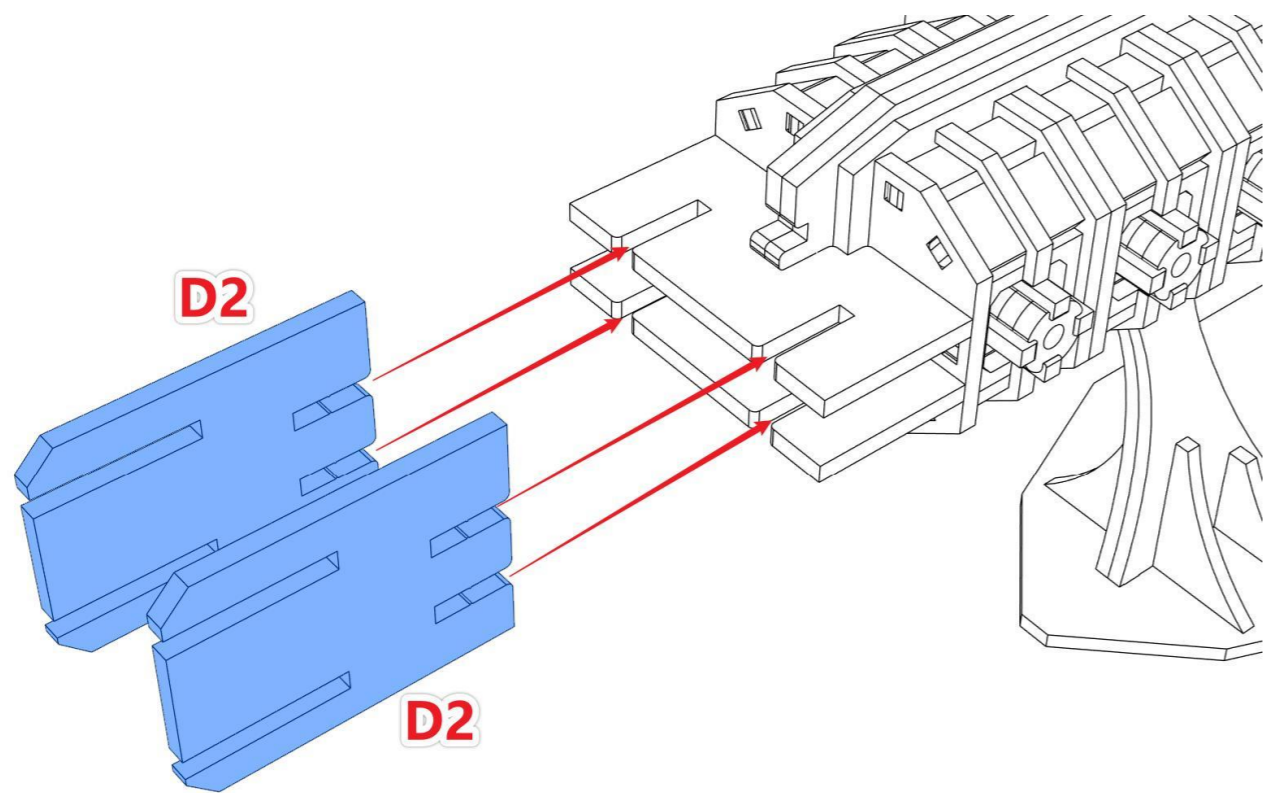
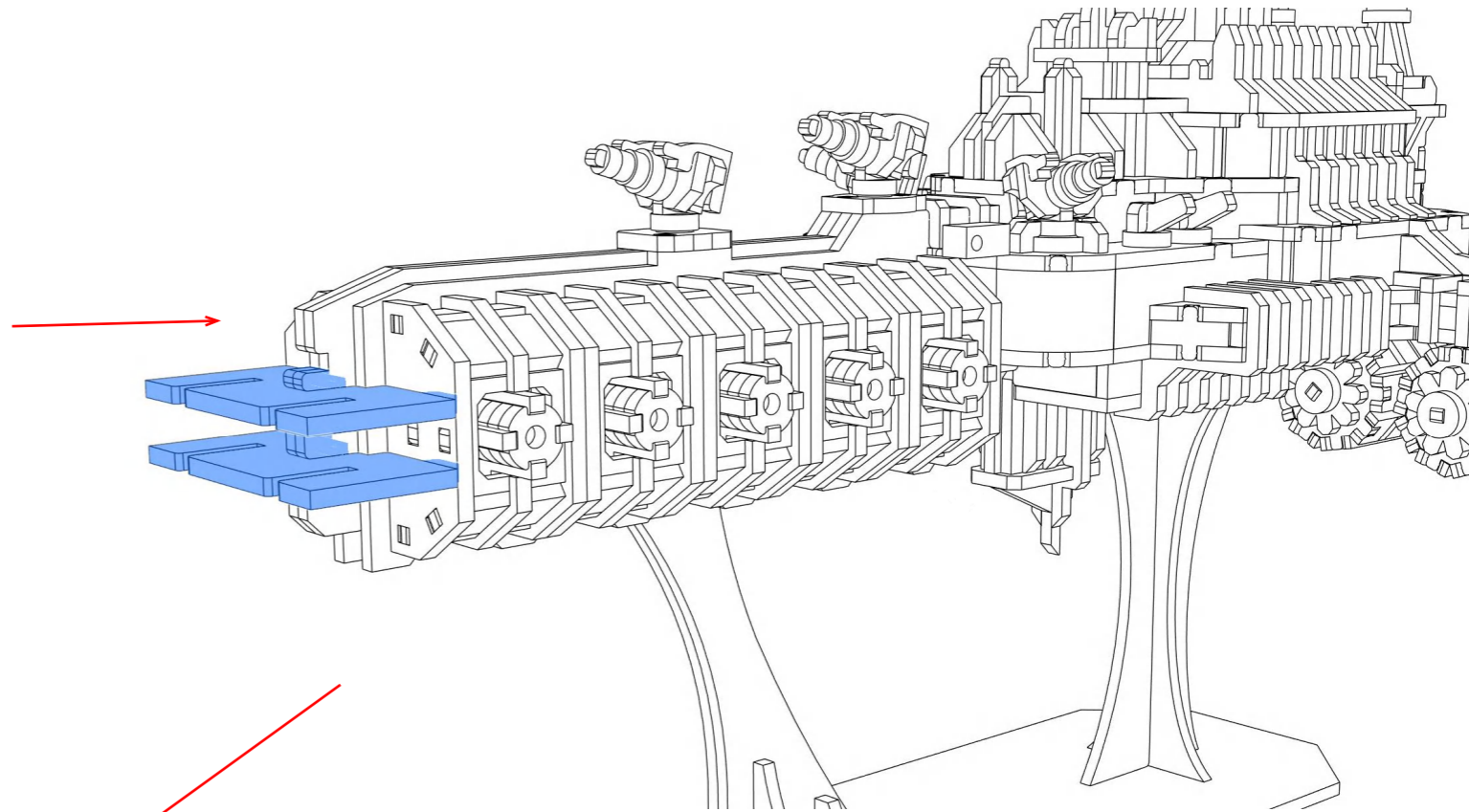
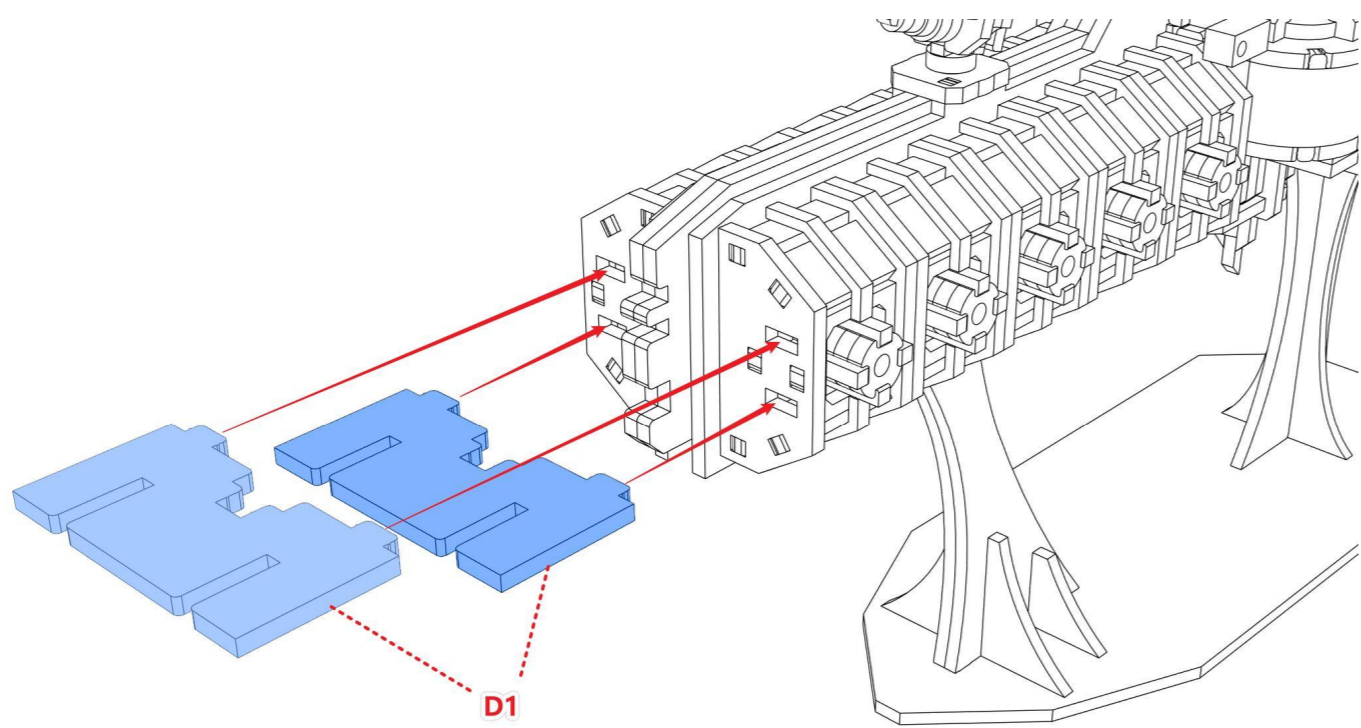


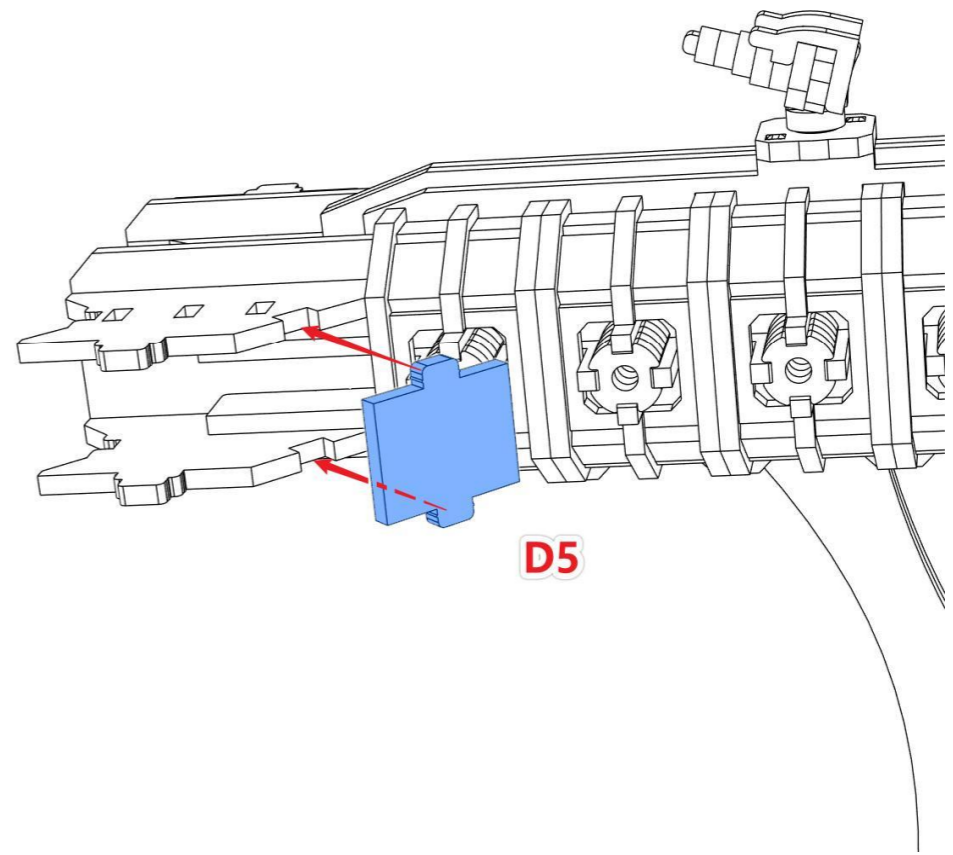
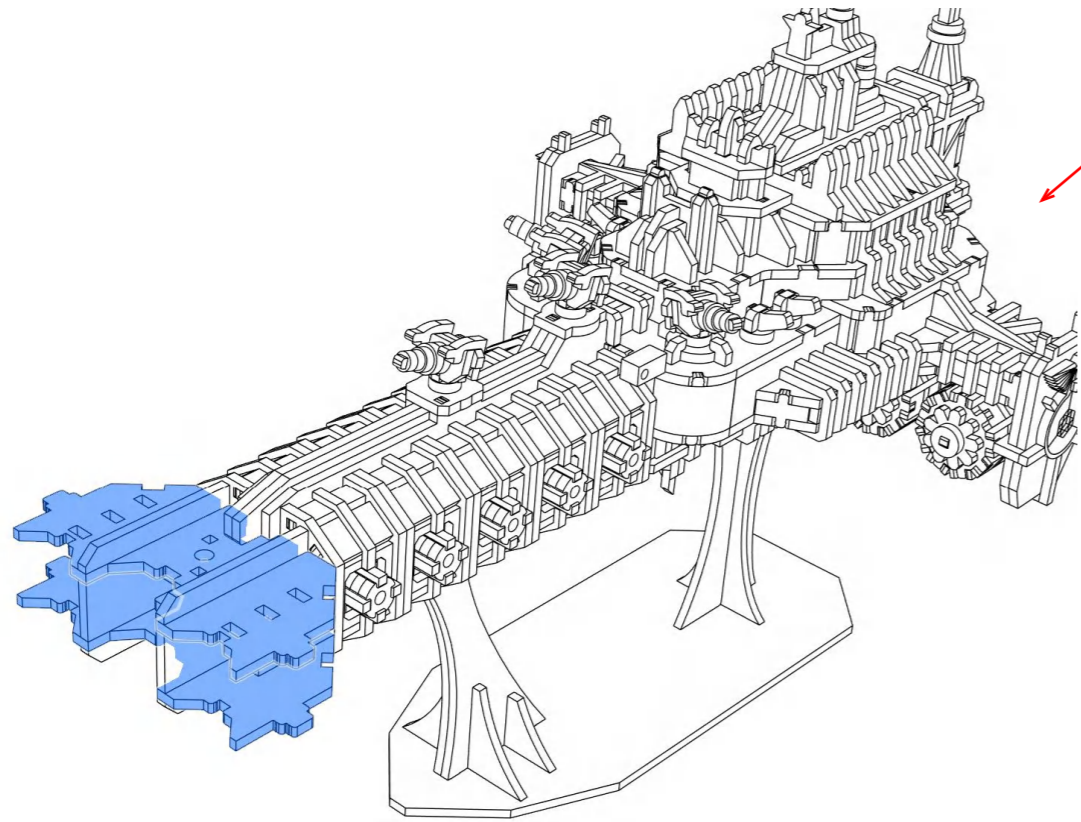
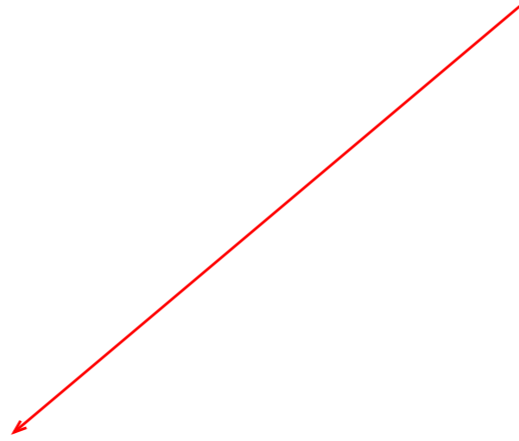
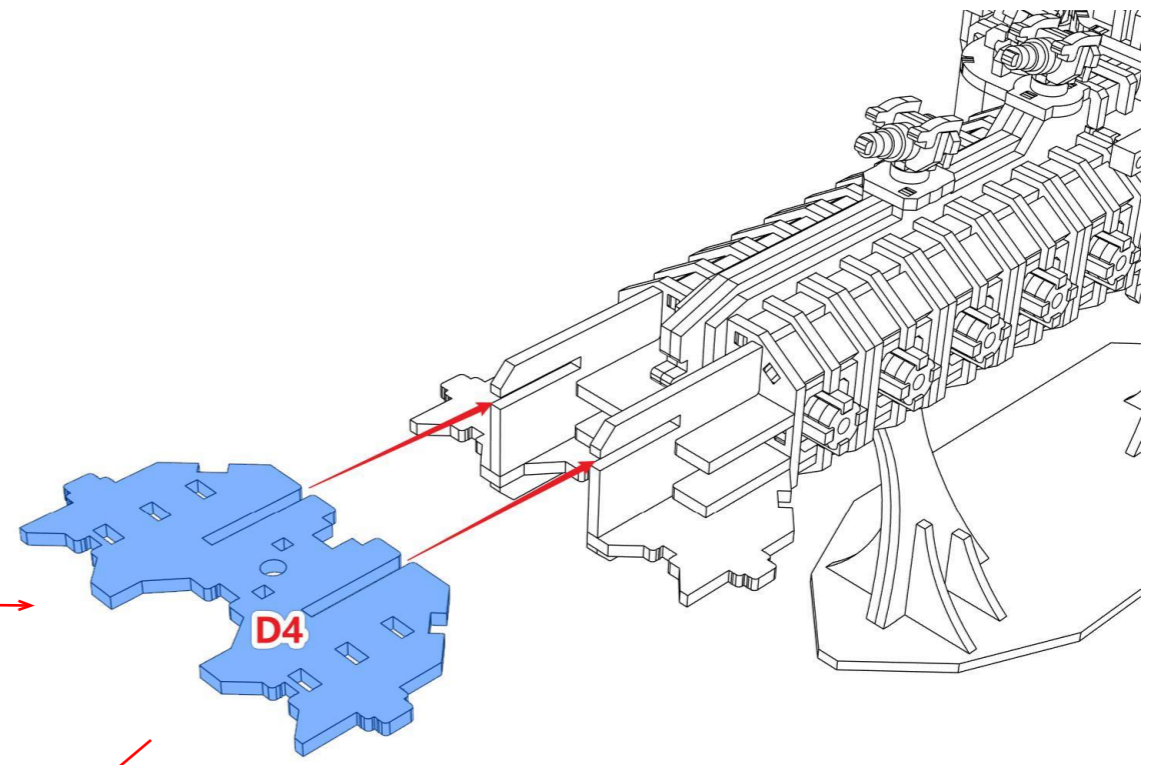
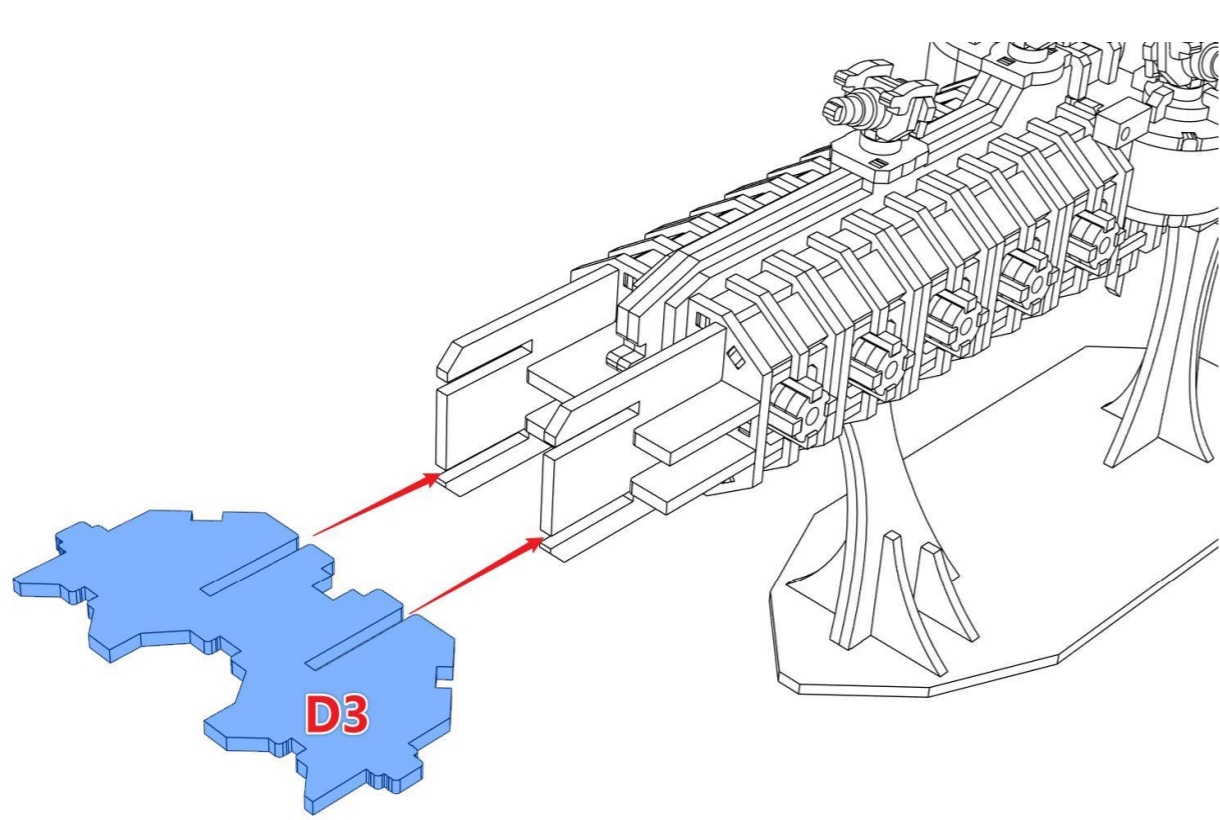




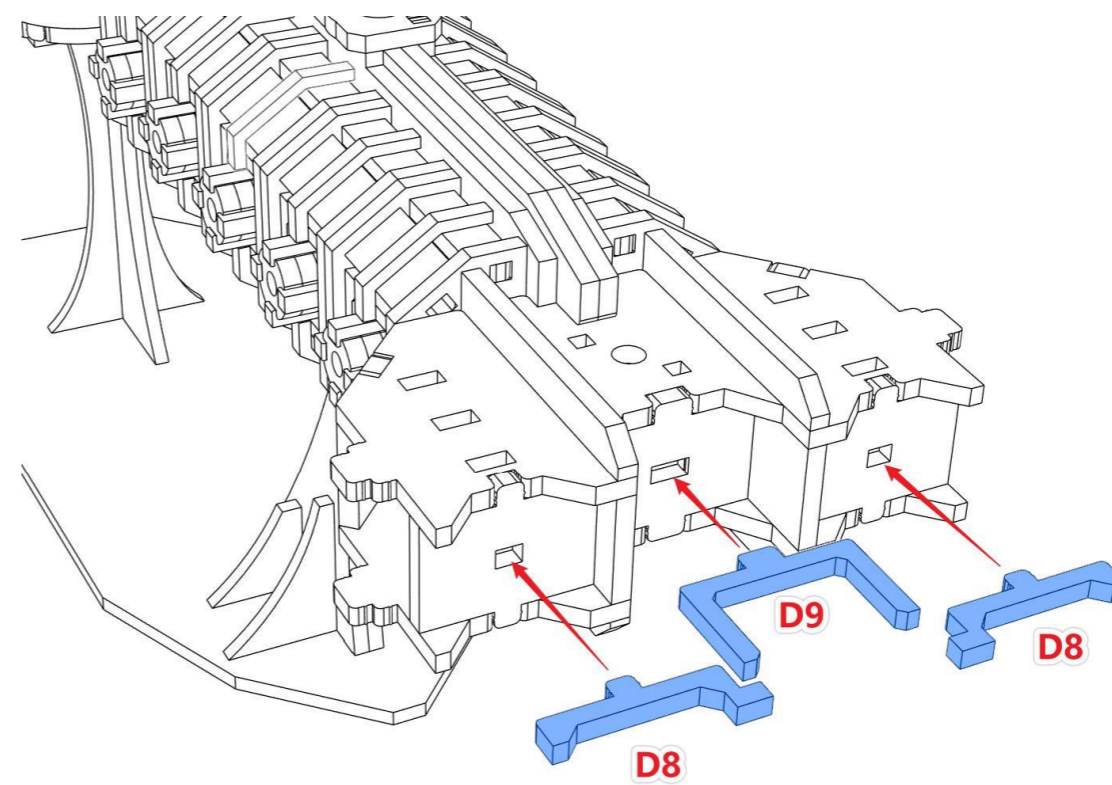
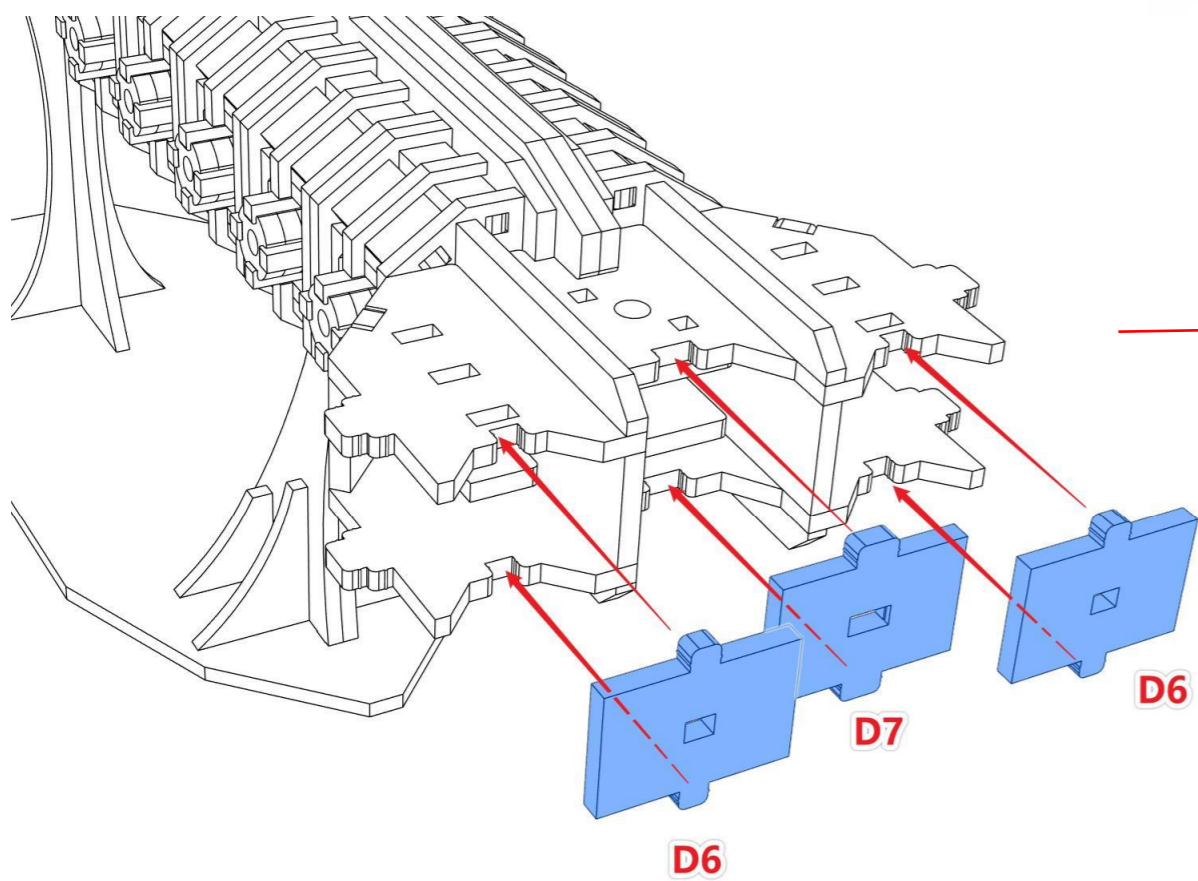
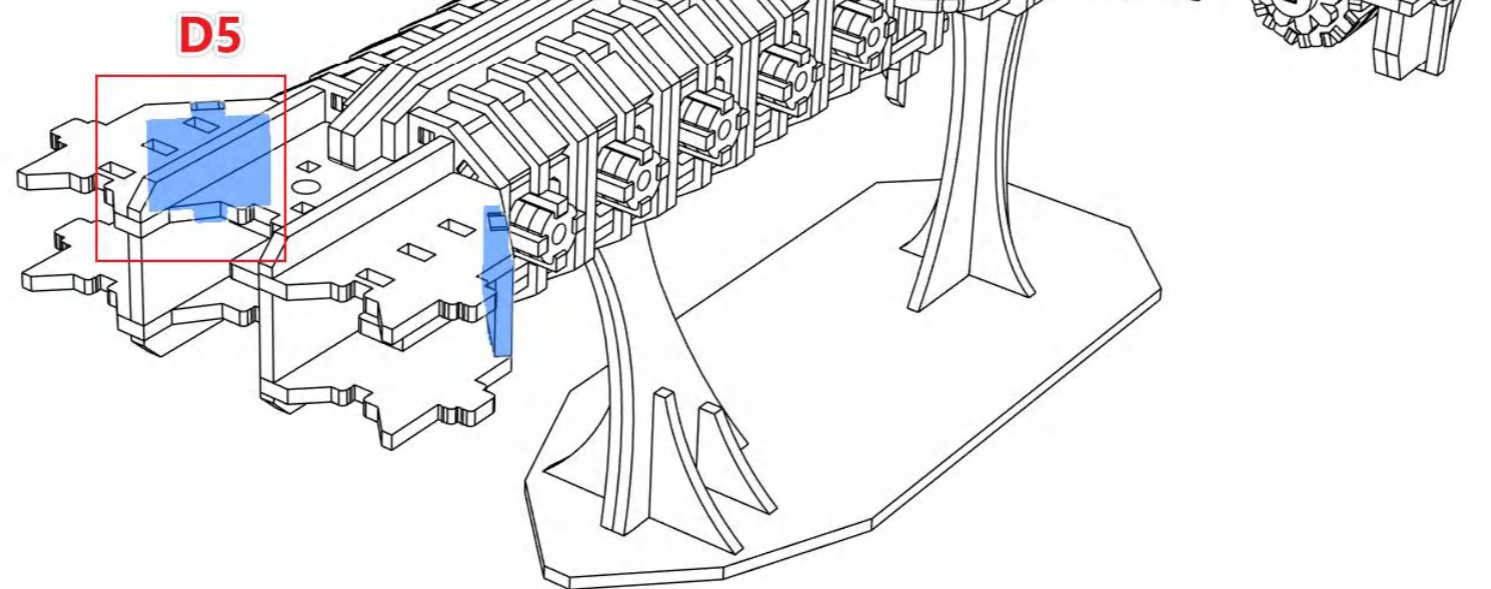
7

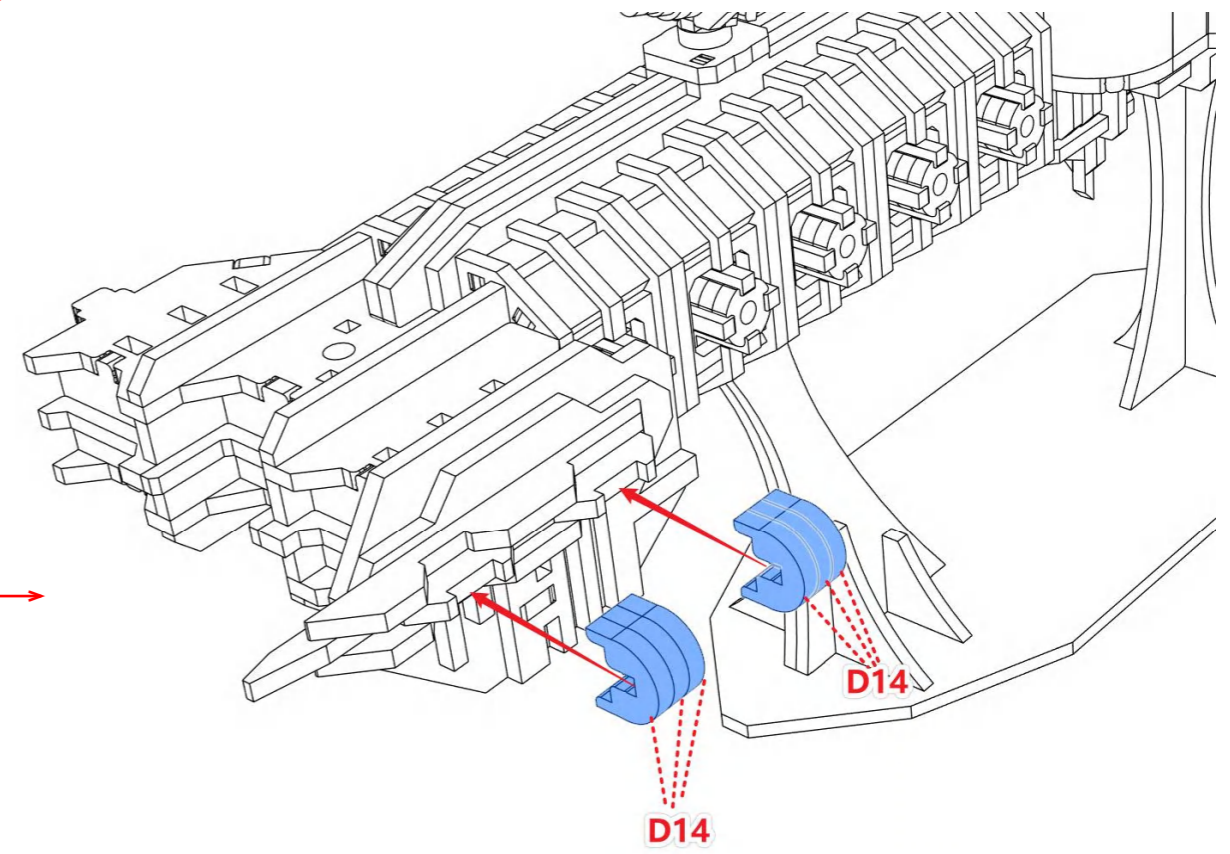
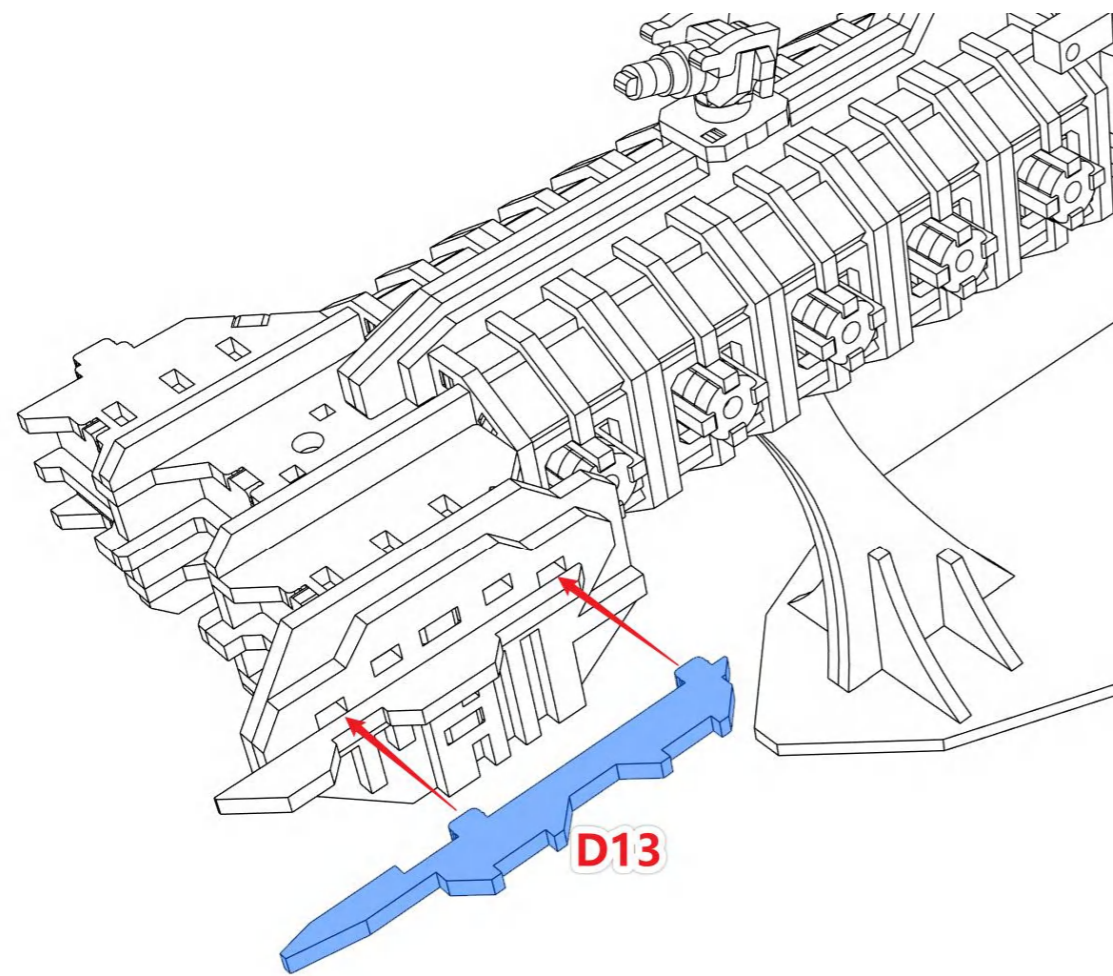
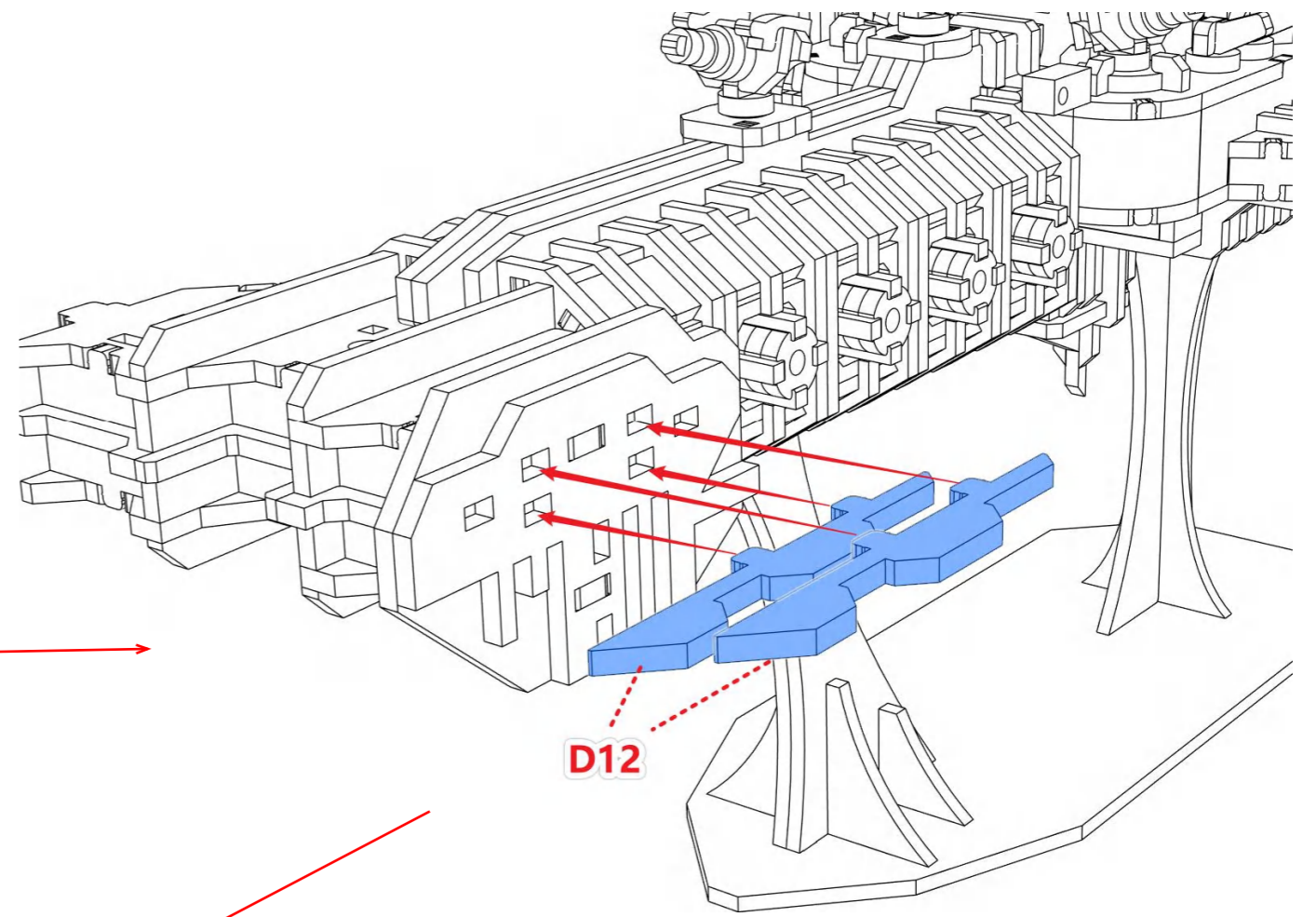
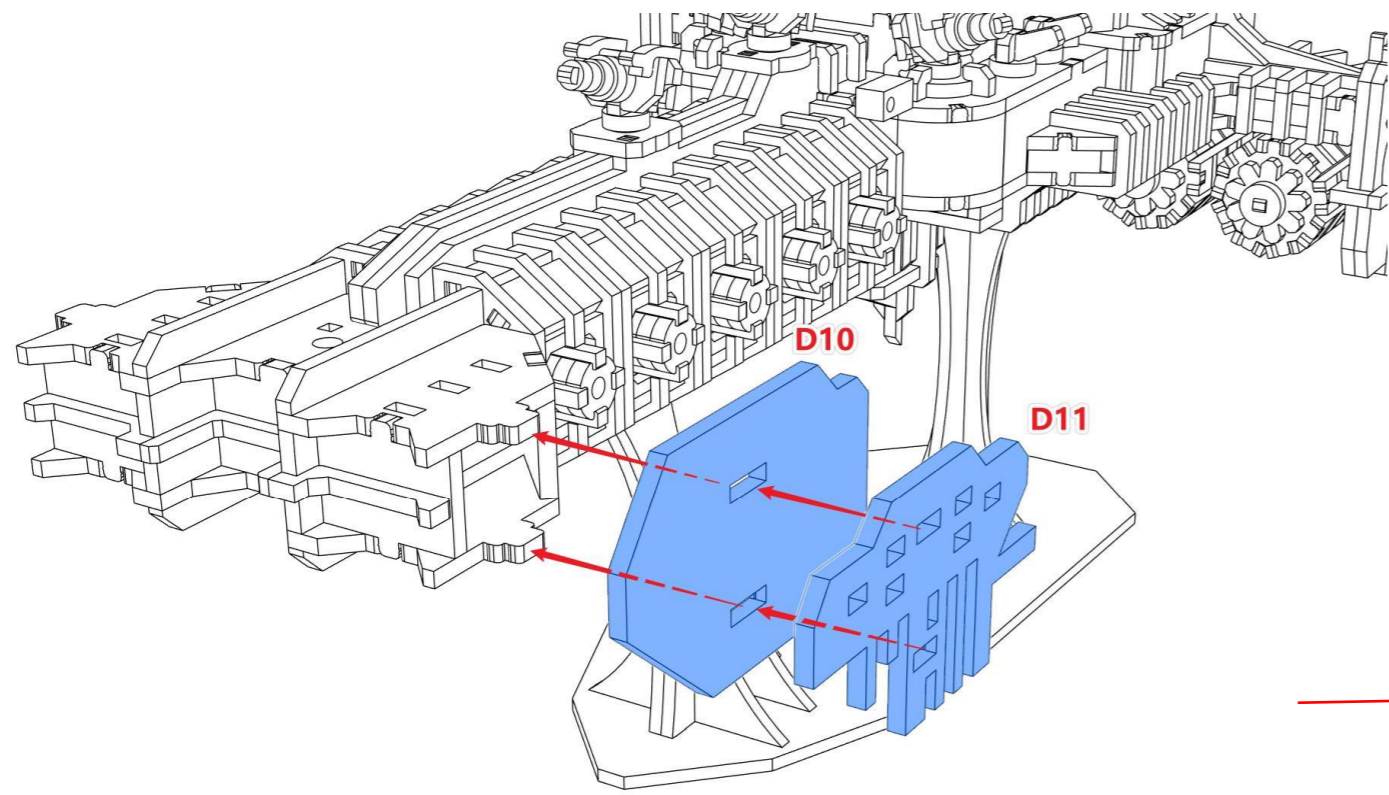


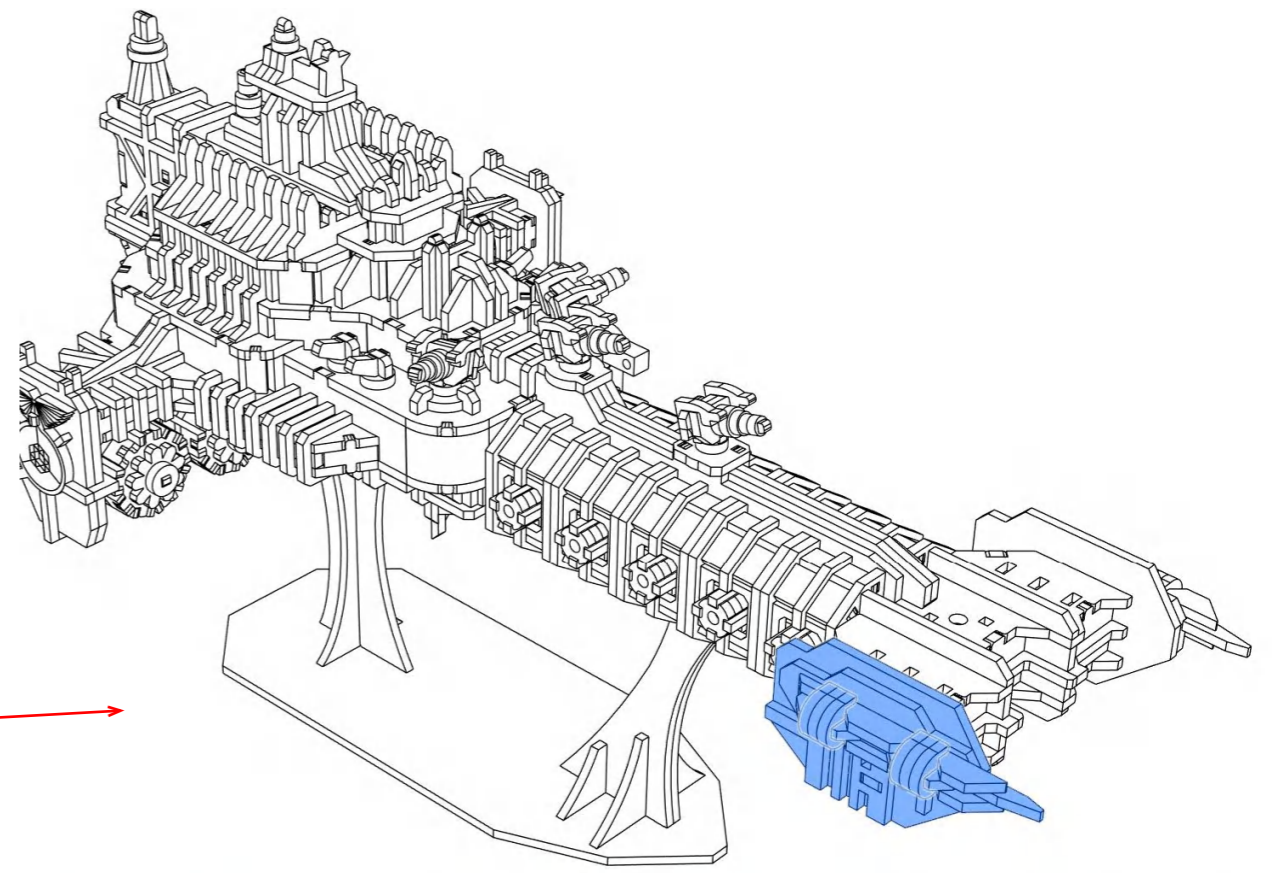
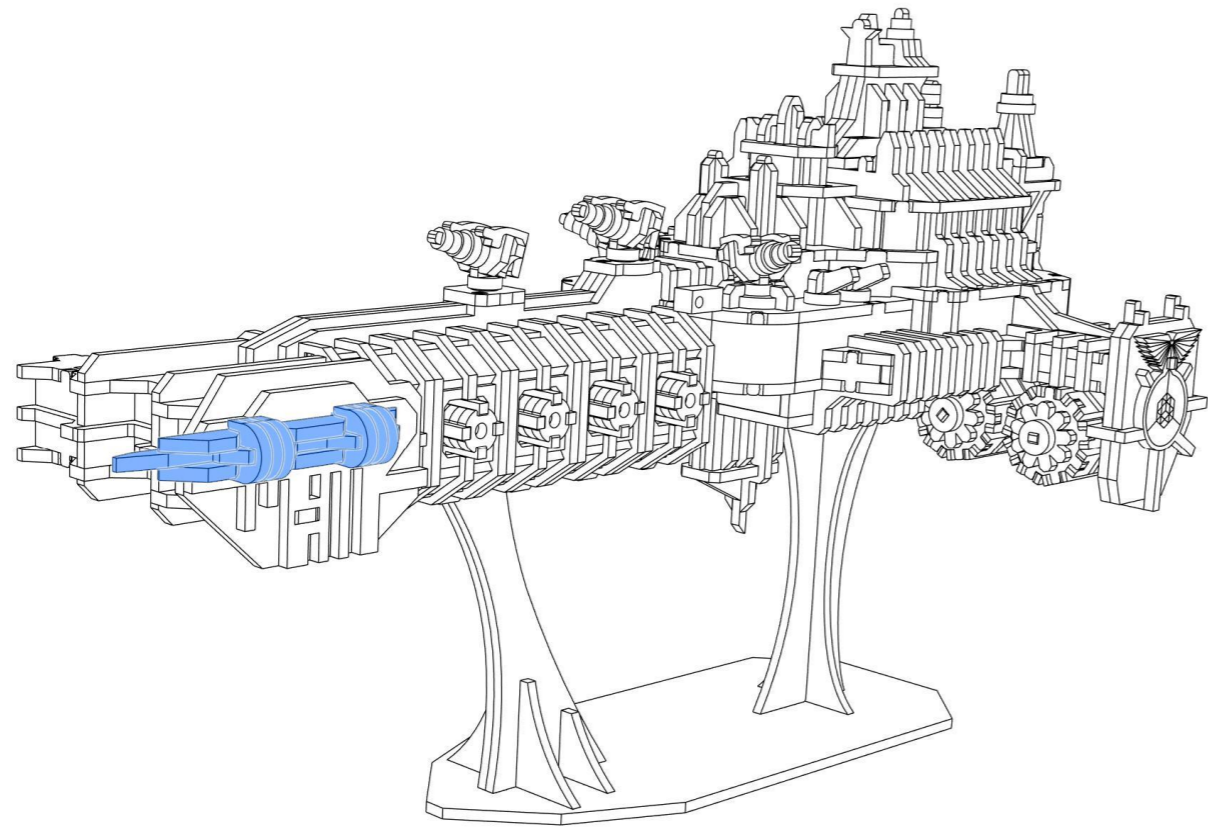




Repeat the previous steps to complete the D5 part on the other side







Repeat the previous steps to complete the assembly on the other side

