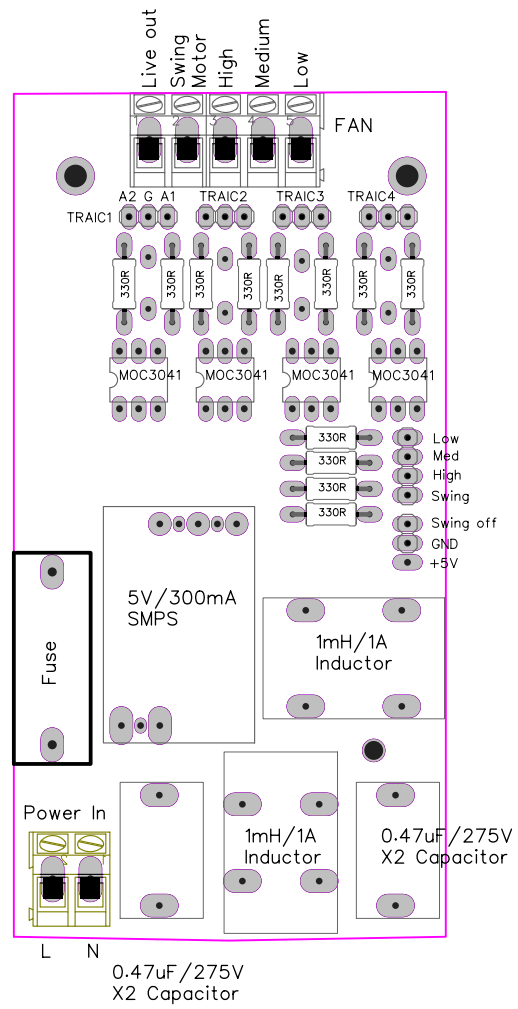


- Pin Head 1
- 1.STAND_BY_LED
 - 2.ON_LED
 - 3.TIMER_ON_LED
 - 4.NATURAL_ON_LED
 - 5.TIME_3_LED
 - 6.TIME_2_LED
 - 7.TIME_1_LED

- Pin Head 2
- 1.GND
 - 2.+5V
 - 3.ON_OFF
 - 4.SPEED
 - 5.NATURAL
 - 6.TIMER_SEL
 - 7.TIMER_ON
 - 8.SWING



TITLE: Components Values	REV: 1.0
Company: Group 4	Sheet:
Date: 2025-10-17	Drawn By: Group 4

