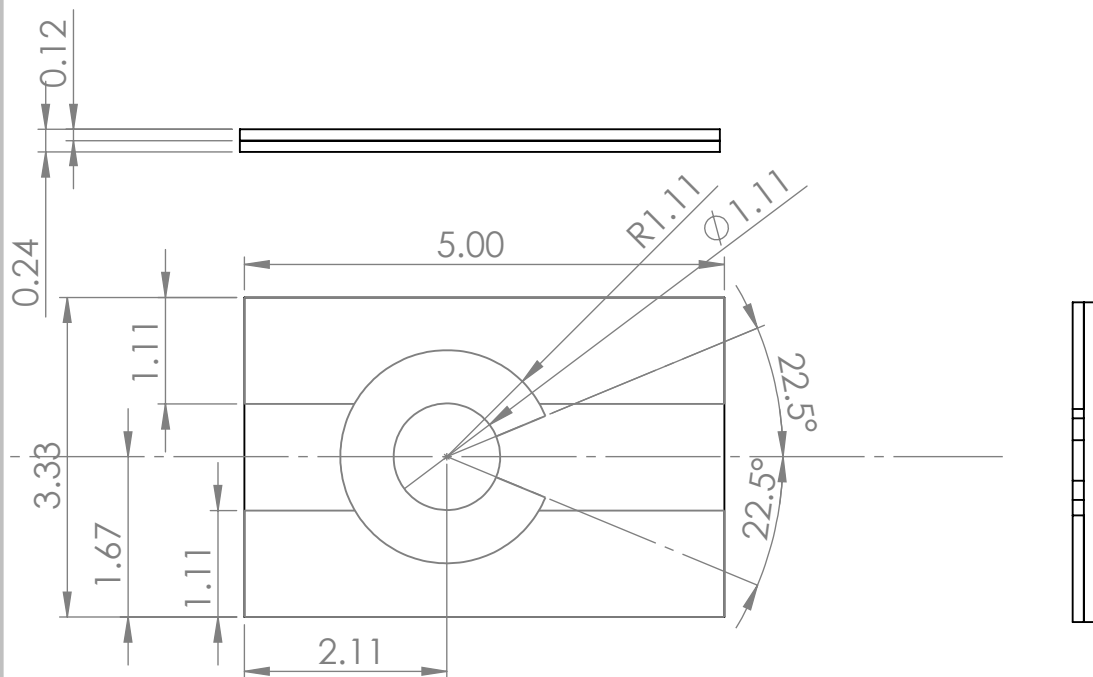


2

1

B

B



A

A

PROPRIETARY AND CONFIDENTIAL
 THE INFORMATION CONTAINED IN THIS DRAWING IS THE SOLE PROPERTY OF <INSERT COMPANY NAME HERE>. ANY REPRODUCTION IN PART OR AS A WHOLE WITHOUT THE WRITTEN PERMISSION OF <INSERT COMPANY NAME HERE> IS PROHIBITED.

		UNLESS OTHERWISE SPECIFIED:		NAME	DATE
		DIMENSIONS ARE IN INCHES TOLERANCES: .0625" FRACTIONAL $\pm 1/16$ " ANGULAR: MACH \pm BEND \pm TWO PLACE DECIMAL \pm THREE PLACE DECIMAL \pm	DRAWN	RH	2-26-26
		INTERPRET GEOMETRIC TOLERANCING PER:	CHECKED		
		MATERIAL 3MM BALTIC BIRCH	ENG APPR.		
NEXT ASSY	USED ON	FINISH PAINTED/CLEAR COAT	MFG APPR.		
APPLICATION		DO NOT SCALE DRAWING	Q.A.		
			COMMENTS:		

Riley Hartman			
TITLE: LASER CUT COLORADO BOARD			
SIZE A	DWG. NO. A-101	REV 1	
SCALE: 1:2	WEIGHT: .07LBS	SHEET 1 OF 1	

2

1