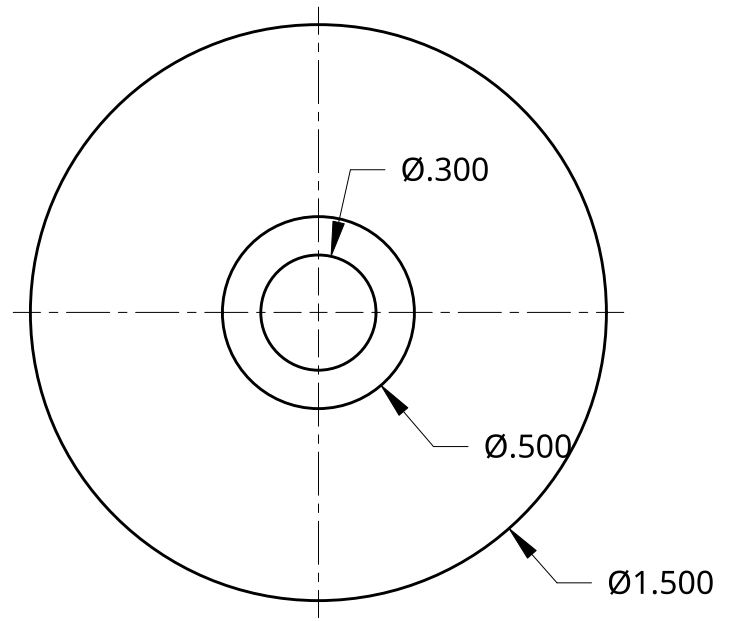
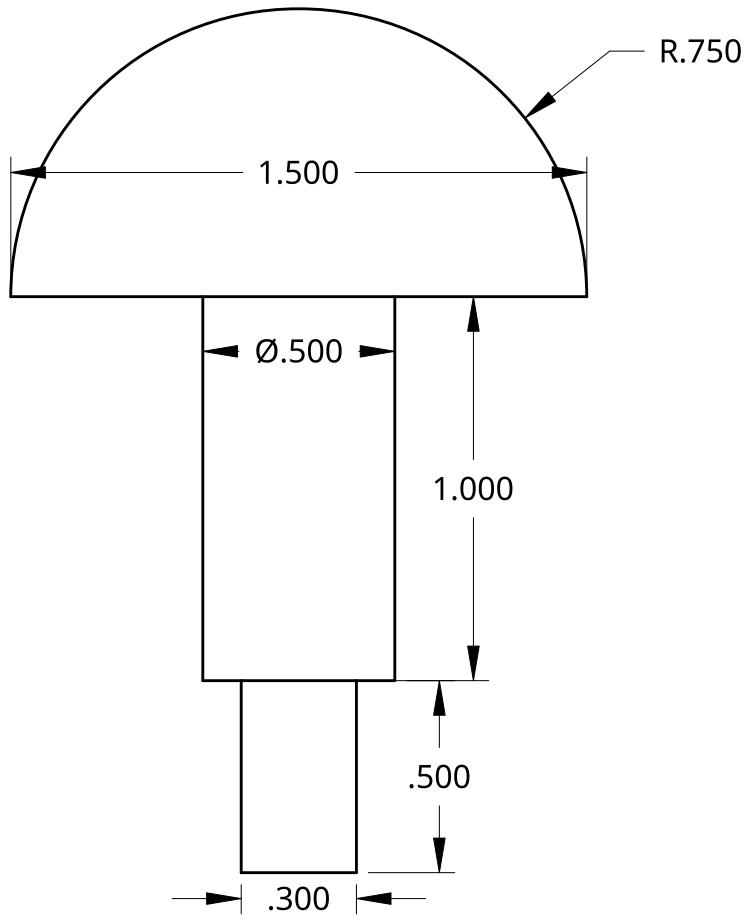


Romain Chauveau



UNLESS OTHERWISE SPECIFIED, DIMENSIONS ARE IN INCHES .XX = ±.0- .XXX = ±.00- .XXXX = ±.000- SURFACE FINISH	NAME	DATE	TITLE	
	DRAWN	10/27/2025		
	CHECKED			
	APPROVED			
DO NOT SCALE DRAWING				
BREAK ALL SHARP EDGES AND REMOVE BURRS				
THIRD ANGLE PROJECTION	MATERIAL	FINISH	SIZE	DWG NO.
			A	
			SCALE	WEIGHT
			2:1	
			SHEET	1 of 1