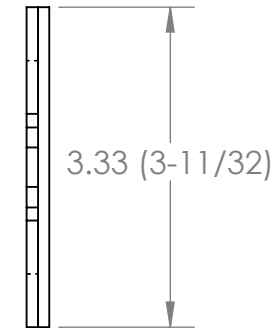
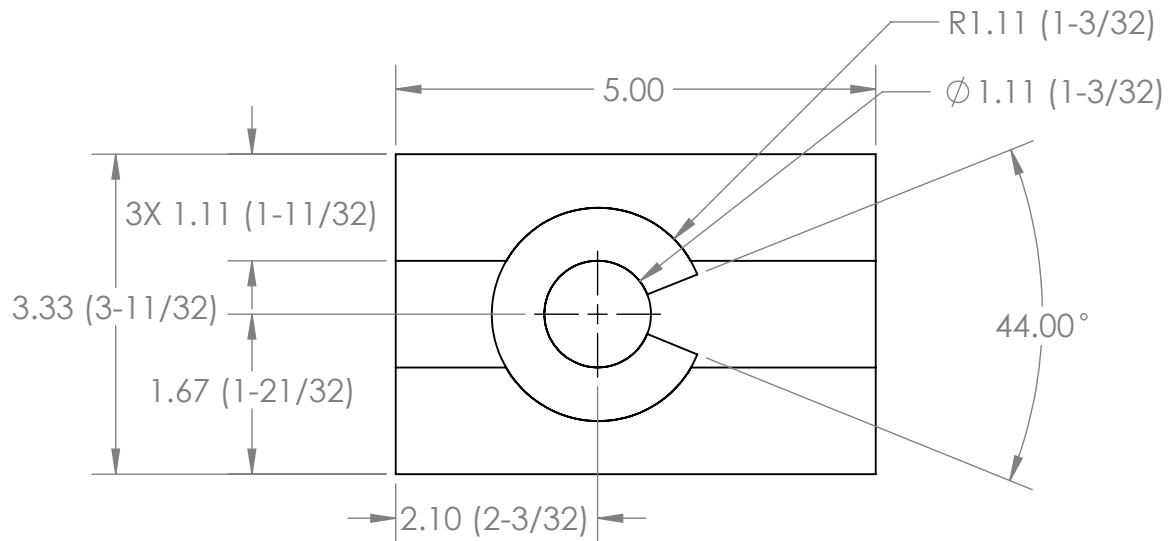
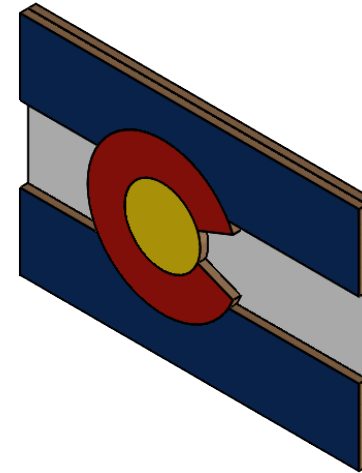
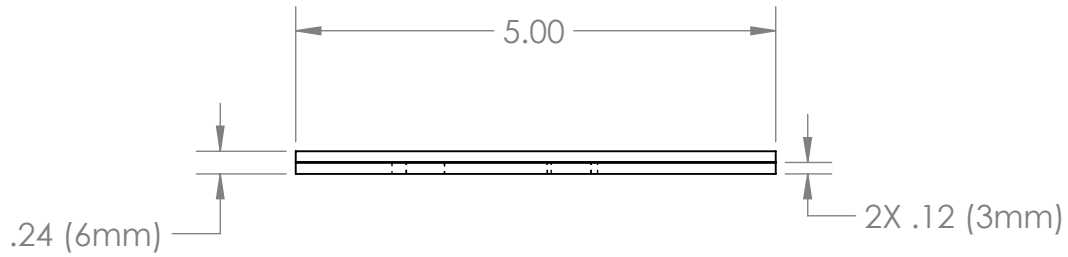


B

B



A

A

PROPRIETARY AND CONFIDENTIAL
 THE INFORMATION CONTAINED IN THIS DRAWING IS THE SOLE PROPERTY OF <INSERT COMPANY NAME HERE>. ANY REPRODUCTION IN PART OR AS A WHOLE WITHOUT THE WRITTEN PERMISSION OF <INSERT COMPANY NAME HERE> IS PROHIBITED.

		UNLESS OTHERWISE SPECIFIED:	NAME	DATE
		DIMENSIONS ARE IN INCHES TOLERANCES: 0.0625" FRACTIONAL \pm 1/16" ANGULAR: MACH \pm BEND \pm TWO PLACE DECIMAL \pm THREE PLACE DECIMAL \pm	DRAWN OH	01/22/26
		INTERPRET GEOMETRIC TOLERANCING PER:	CHECKED LU	02/02/2026
		MATERIAL 3MM BALTIC BIRCH	ENG APPR.	
		FINISH PAINT/CLEAR COAT	MFG APPR.	
NEXT ASSY	USED ON		Q.A.	
APPLICATION		DO NOT SCALE DRAWING	COMMENTS: ORIGINAL DIMENSIONS FROM OFFICIAL COLORADO FLAG DIMENSIONS	

OTIS HAINES

TITLE:

LASER COLORADO
FLAG

SIZE	DWG. NO.	REV
A	A-104	4
SCALE: 1:2	WEIGHT: 0.07 LBS	SHEET 1 OF 1

2

1