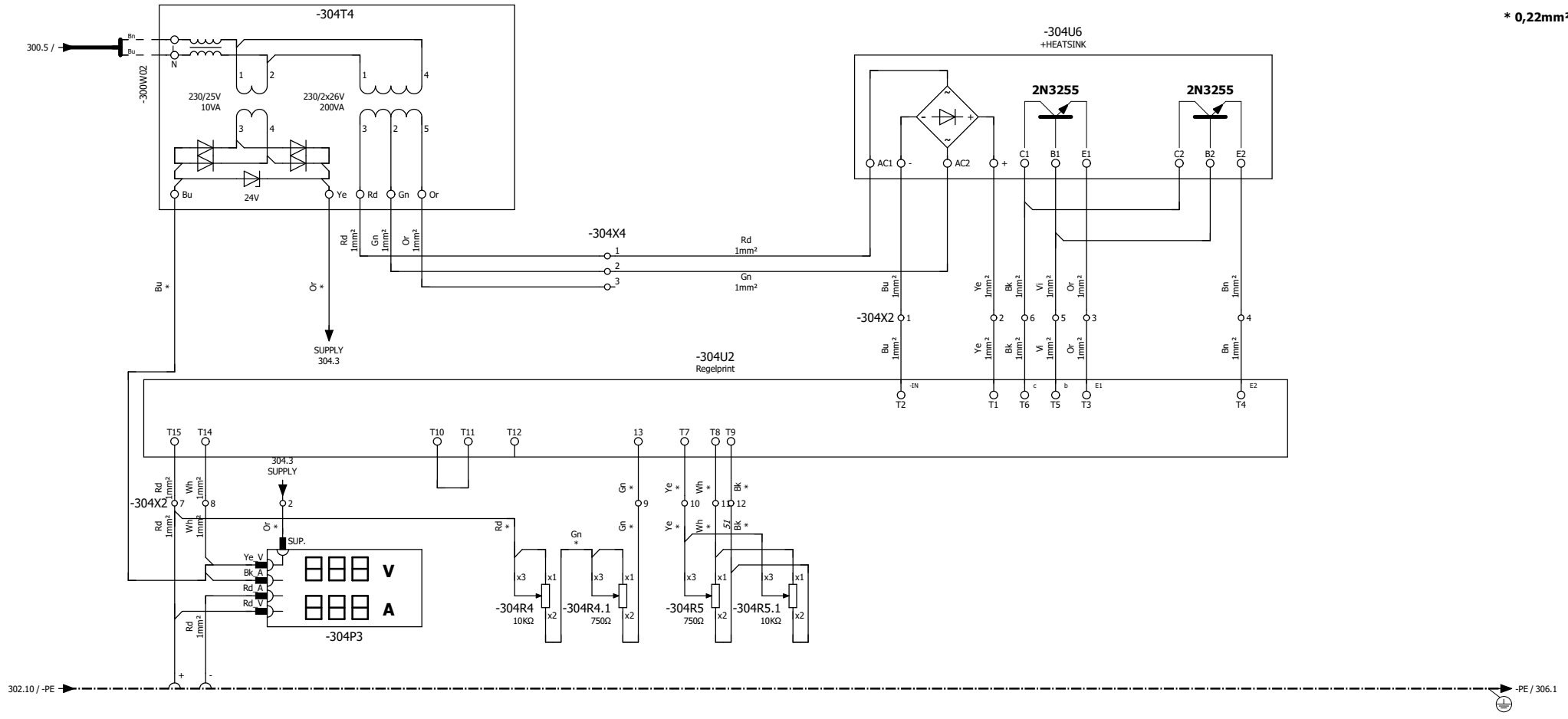


1	2	3	4	5	6	7	8	9	10
	TRAFO	METER	SPANNINGS REGELING	STROOM REGELING	HEATSINK WITH BRIDGE & TRANSISTORS	-			

* 0,22mm²



Print date: 10-11-2025

All rights reserved by VERHOEF EMC BV