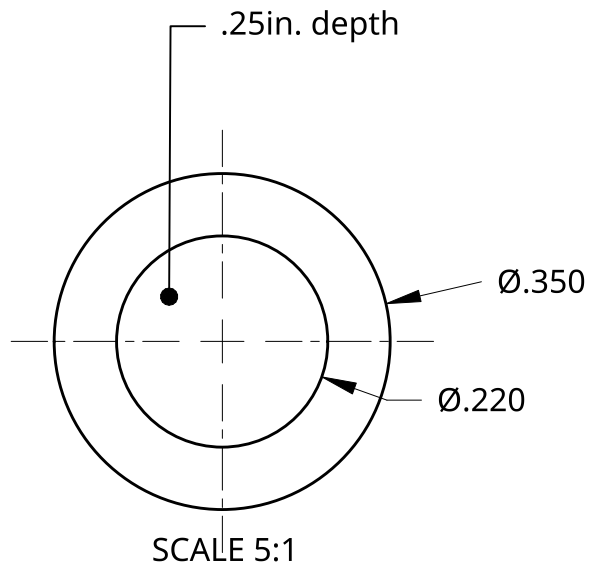
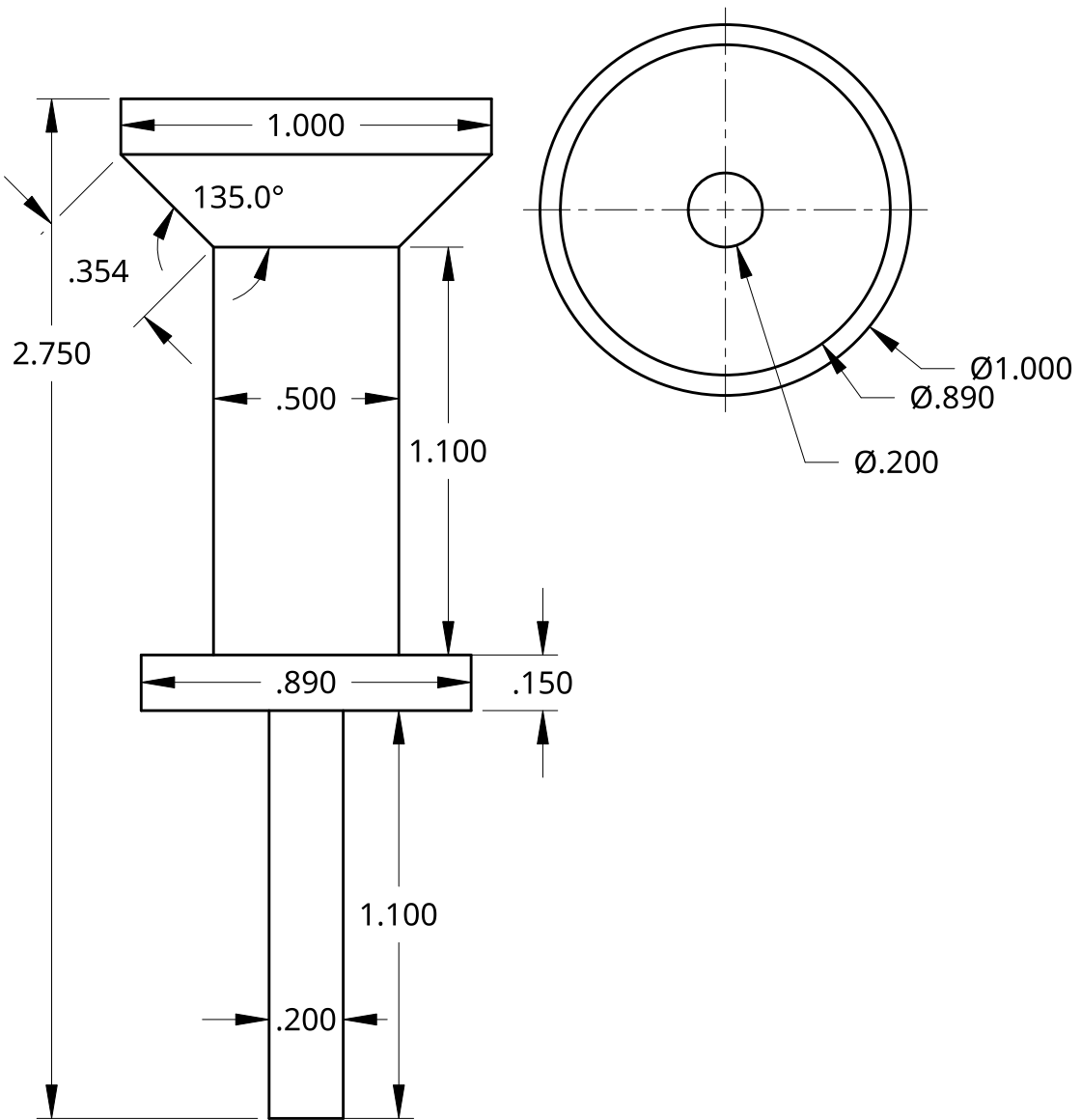


2

1

B

B



A

A

2

1

UNLESS OTHERWISE SPECIFIED, DIMENSIONS ARE IN INCHES .XX = ±.0- .XXX = ±.00- .XXXX = ±.000- SURFACE FINISH	NAME	DATE	TITLE	
	DRAWN	10/29/2025		
	CHECKED			
	APPROVED			
DO NOT SCALE DRAWING			SIZE <b>A</b>	
BREAK ALL SHARP EDGES AND REMOVE BURRS			DWG NO.	
THIRD ANGLE PROJECTION	MATERIAL	FINISH	REV.	
			SCALE 2:1	WEIGHT
			SHEET 1 of 1	