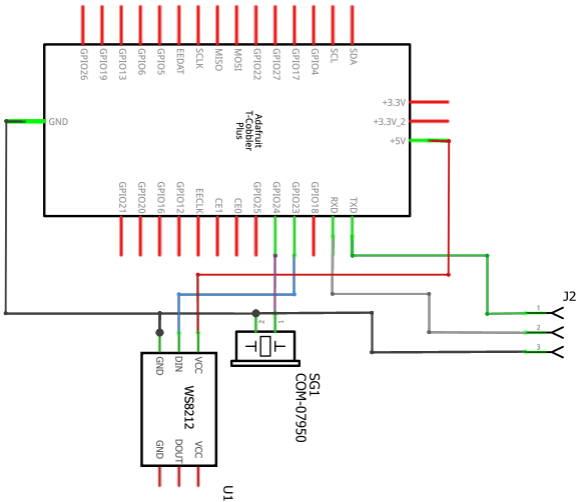


T stuk
Adafruit #1989 and #2028



fritzing