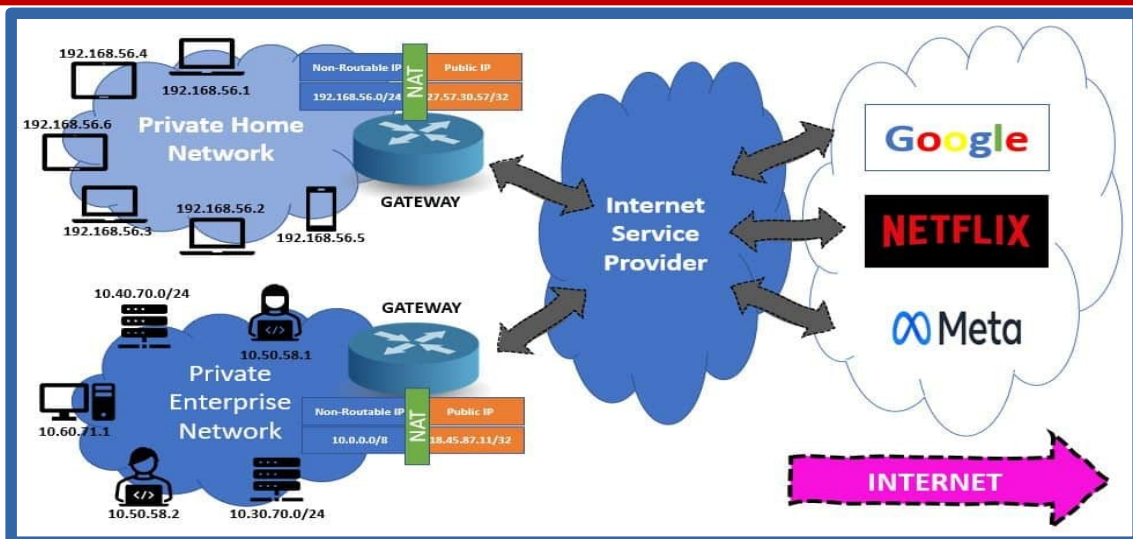


March 12 Class Notes Part 2

IP Addresses allow computers to connect to network
ROUTABLE!!



Routable IP addresses allow the Internet to exist
No routable addresses; no Internet!



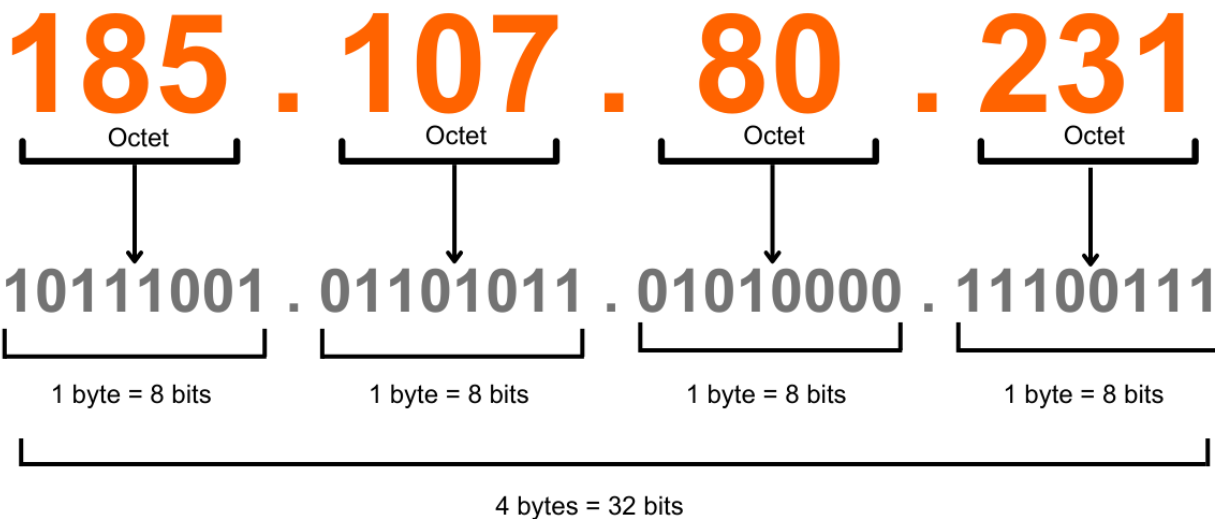
March 12 Class Notes Part 2

How many bits in IPv4 address?

32 bits

8 bits times 4

IPv4 Address Format



ARPANET – first routable network

- Precursor to Internet

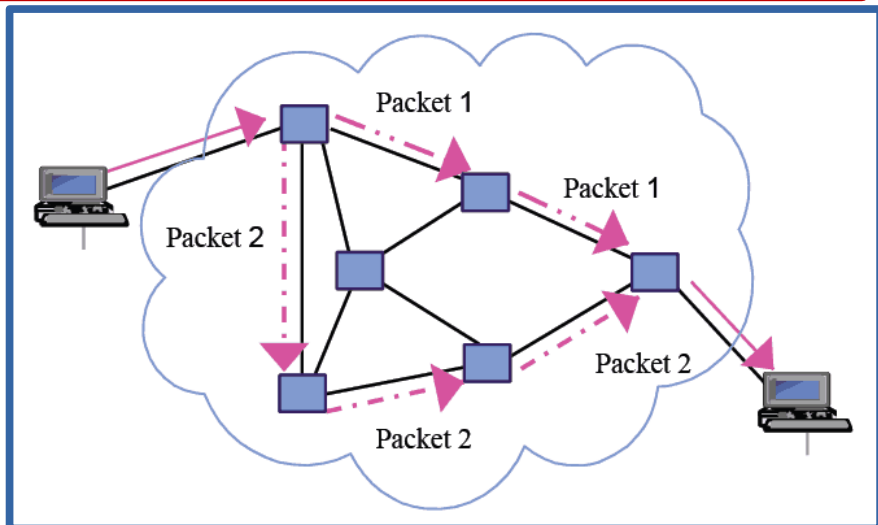
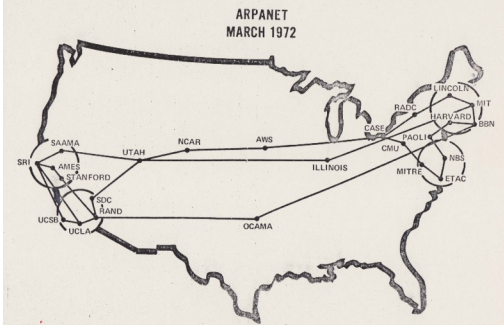
- Data is chopped up into packets

- Packets bounce from router to router

ARPANET is a packet-switched network

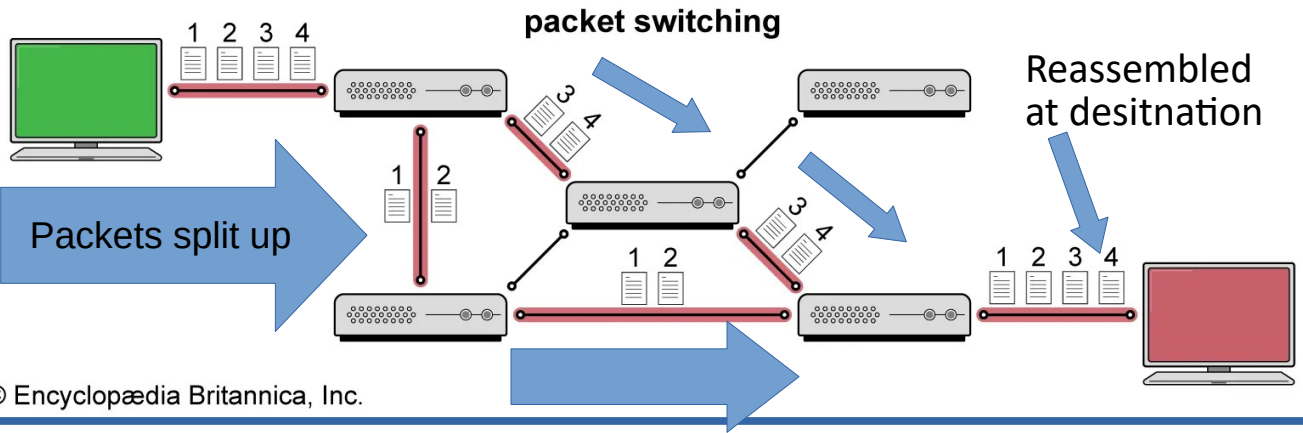
- Each packet takes a different network path

ARPANET
MARCH 1972



March 12 Class Notes Part 2

Packet switching network
Packets are split up, take separate routes
Reassembled at destination



ARPANET
MARCH 1972

