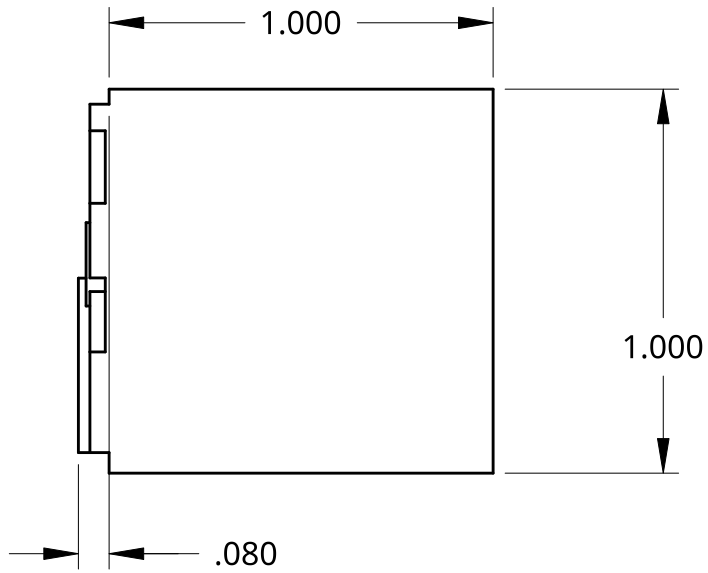
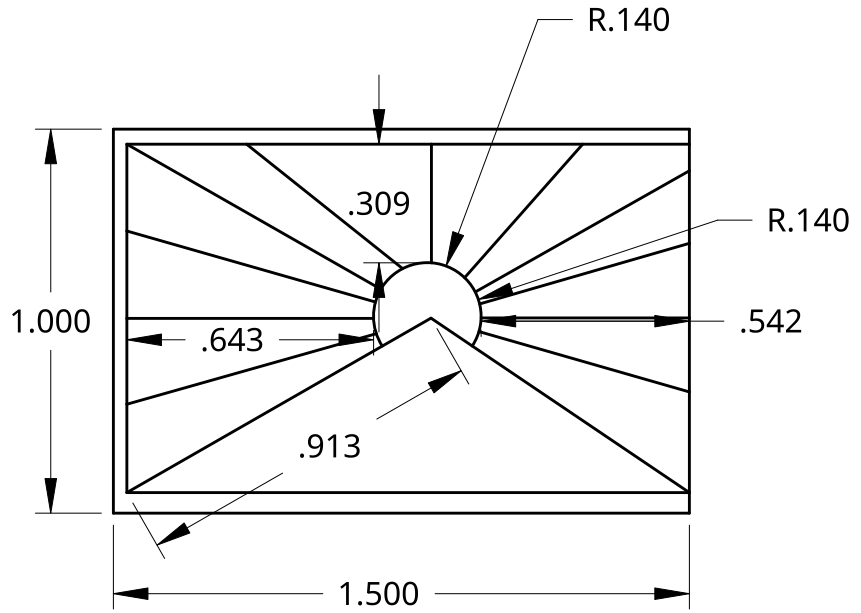


2

1

B

B

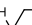



A

A

2

1

UNLESS OTHERWISE SPECIFIED, DIMENSIONS ARE IN INCHES .XX = ±.0- .XXX = ±.00- .XXXX = ±.000- SURFACE FINISH  DO NOT SCALE DRAWING BREAK ALL SHARP EDGES AND REMOVE BURRS THIRD ANGLE PROJECTION 		NAME	DATE	TITLE <h3 style="text-align: center;">Tibet Flag</h3>	
	DRAWN	EFE GOCMEN	12/17/2025		
	CHECKED				
	APPROVED				
	MATERIAL	FINISH	SIZE	DWG NO.	REV.
			A		
			SCALE	WEIGHT	SHEET
			2:1		1 of 1