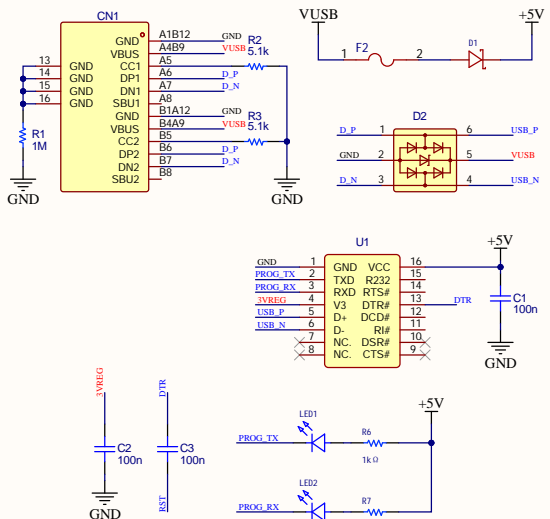


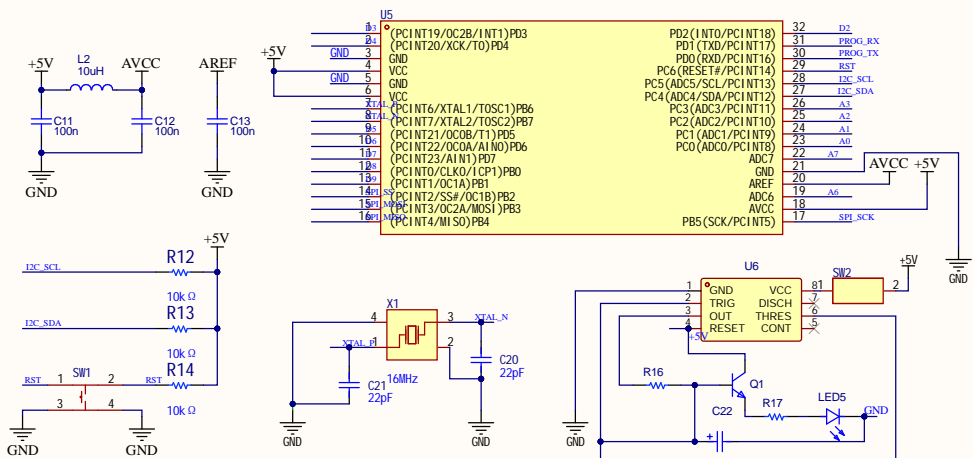
THIS DOCUMENT AND THE DATA DISCLOSED HEREIN OR HEREWITH IS THE PROPERTY OF ALTUM LIMITED AND MAY BE FREELY DISTRIBUTED IN WHOLE. ALL RIGHTS ARE RESERVED OR EXPRESS OR IMPLIED WARRANTIES GIVEN.

| REVISION | DESCRIPTION | DATE | APPROVED |
|----------|-------------|------|----------|
| * | * | * | * |

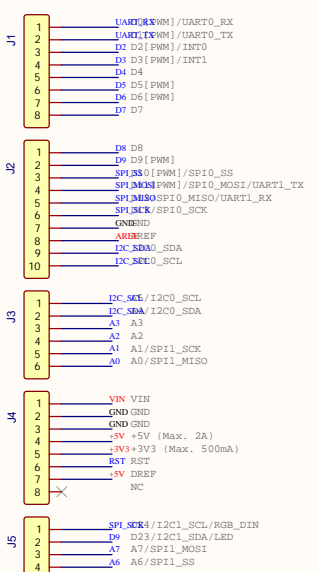
USB-UART



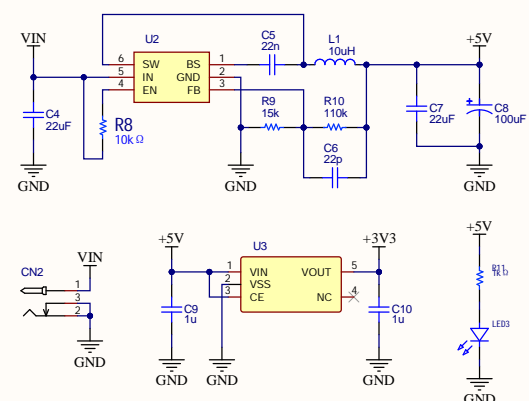
MCU



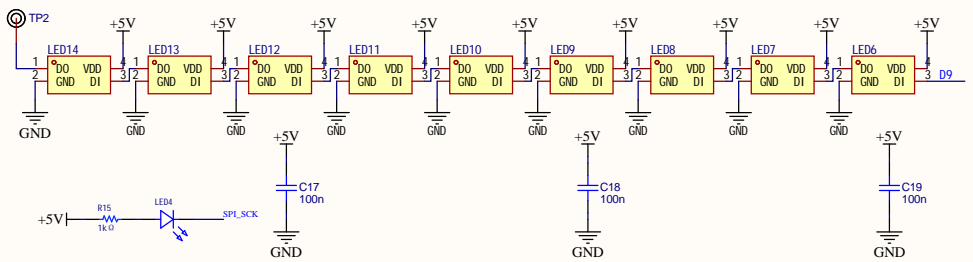
HEADERS



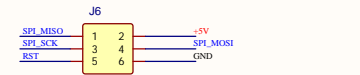
POWER REGULATOR



ANIMATION LEDs



PROGRAMMING HEADER



| APPROVALS | DATE | PROJECT |
|-------------------------------|----------|--|
| DSN: | | PROJECT REVISION: 29ea58bf831ff6c177d0c36e807924414e00720e63616e2b560333 |
| TITLE: UNO Transparent.PrpPcb | | |
| BOM: | SIZE: A3 | CAGE CODE: DWG NO. |
| ASSY DWG: | SCALE: | FILE NAME: UNO Transparent.schdoc |
| FAB DWG: | SCALE: | SHEET 1 OF 1 |
| PCB DWG: | SCALE: | |

| Comment | Description | Designator | Footprint | LibRef | Quantity |
|-----------------------|-------------|---|--------------------------------------|-----------------------|----------|
| 100n | | C1, C2, C3, C11, C12, C13, C17, C18, C19 | C0402 | 100n | 9 |
| 22uF | | C4, C7 | C0805 | 22uF | 2 |
| 22n | | C5 | C0402 | 22n | 1 |
| 22p | | C6 | C0402 | 22p | 1 |
| 100uF | | C8 | CAP-SMD_BD5.0-L5.3-W5.3-FD | 100uF | 1 |
| 1u | | C9, C10 | C0402 | 1u | 2 |
| 22pF | | C20, C21 | C0402 | 0402CG220J500NT | 2 |
| 220uF | | C22 | CAP-SMD_L3.5-W2.8-R-RD | 220uF | 1 |
| TYPEC-304-BCP16 | | CN1 | USB-C-SMD_TYPEC-304-BCP16 | TYPEC-304-BCP16 | 1 |
| 5.5-2.0MM | | CN2 | DC-IN-TH_DC-5520 | 5.5-2.0MM | 1 |
| SS14 | | D1 | SMA_L4.4-W2.8-LS5.4-RD | SS14_C266551 | 1 |
| USBLC6-2SC6 | | D2 | SOT-23-6_L2.9-W1.6-PO.95-LS2.8-BR | USBLC6-2SC6 | 1 |
| ASMD1206-050 | | F2 | F1206 | ASMD1206-050 | 1 |
| 2.54F_1x8 | | J1, J4 | HDR-F-2.54_1X8 | 2.54F_1x8 | 2 |
| 2.54F_1x10 | | J2 | HDR-F-2.54_1X10 | 2.54F_1x10 | 1 |
| 2.54F_1x6 | | J3 | HDR-F-2.54_1X6 | 2.54F_1x6 | 1 |
| 2.54M_1x4 | | J5 | HDR-M-2.54_1X4 | 2.54M_1x4 | 1 |
| 2.54M_2x3 | | J6 | HDR-M-2.54_2X3 | 2.54M_2x3 | 1 |
| 10uH | | L1 | IND-SMD_L6.6-W6.6 | 10uH | 1 |
| 10uH | | L2 | L0603 | 10uH | 1 |
| XL-1608UVC-04 | | LED1, LED2, LED3, LED4 | LED0603-RD_PINK | XL-1608UVC-04 | 4 |
| 19-21SYGD/S530-E2/TR8 | | LED5 | LED0603-RD | 19-21SYGD/S530-E2/TR8 | 1 |
| WS2812B-2020 | | LED6, LED7, LED8, LED9, LED10, LED11, LED12, LED13, LED14 | LED-SMD_4P-L2.0-W2.0-TL_WS2812B-2020 | WS2812B-2020 | 9 |
| BC817-25(6B) | | Q1 | SOT-23-3_L2.9-W1.6-P1.90-LS2.8-BR | BC817-25(6B) | 1 |
| 1M | | R1 | R0402 | 1M | 1 |
| 5.1k | | R2, R3 | R0402 | 5.1k | 2 |
| 1kΩ | | R6, R7, R11, R15 | R0603 | 0603WAF1001T5E | 4 |
| 10kΩ | | R8, R12, R13, R14 | R0603 | 0603WAF1002T5E | 4 |
| 15k | | R9 | R0402 | 15k | 1 |
| 110k | | R10 | R0402 | 110k | 1 |
| 4.7K | | R16 | R0805 | 4.7K | 1 |
| 560 | | R17 | R0603 | 560 | 1 |
| TS-1187A-C-D-B | | SW1 | KEY-SMD_4P-L5.2-W5.2-P3.7-LS6.4-TL | TS-1187A-C-D-B | 1 |
| DSIC01LSGET | | SW2 | SW-SMD_DSIC01LSGET | DSIC01LSGET | 1 |
| RGB_DOUT | | TP2 | TESTPOINT_0.8MM | RGB_DOUT | 1 |
| CH340C | | U1 | SOP-16_L10.0-W3.9-P1.27-LS6.0-BL | CH340C | 1 |
| MT2492 | | U2 | SOT-23-6_L2.9-W1.6-PO.95-LS2.8-BR | MT2492 | 1 |
| ME6211C33M5G-N | | U3 | SOT-23-5_L3.0-W1.7-PO.95-LS2.8-BR | ME6211C33M5G-N | 1 |
| ATMEGA328P-AU | | U5 | TOFP-32_L7.0-W7.0-PO.80-LS9.0-BL | ATMEGA328P-AU_C14877 | 1 |
| NE555PWR | | U6 | TSSOP-8_L4.4-W3.0-PO.65-LS6.4-BL | NE555PWR | 1 |
| 16MHz | | X1 | OSC-SMD_4P-L3.2-W2.5-BL | X322516MRB4SI | 1 |