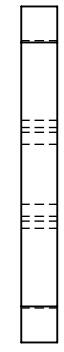
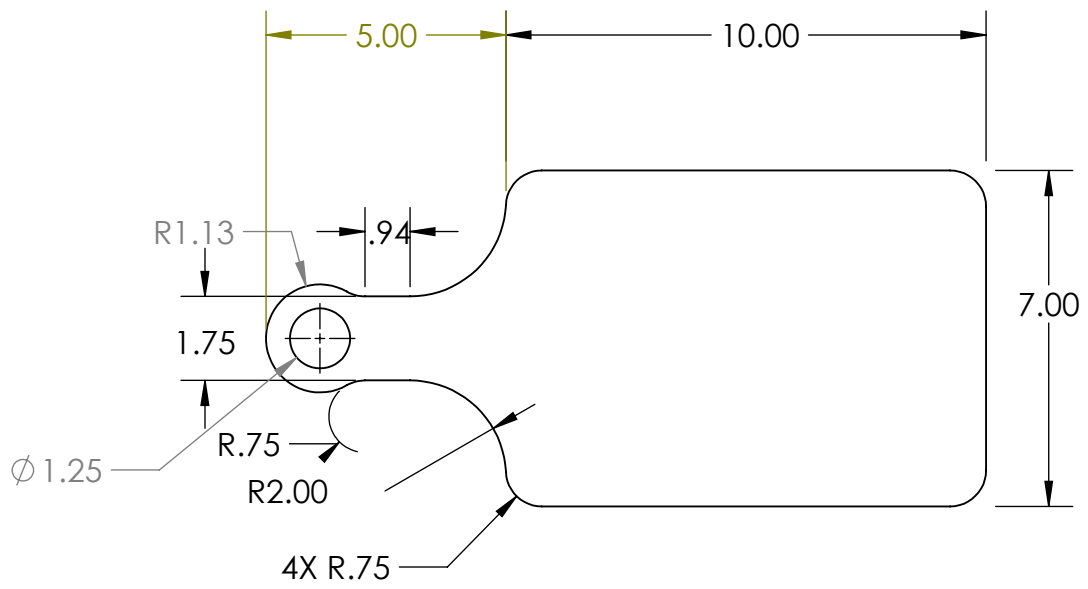
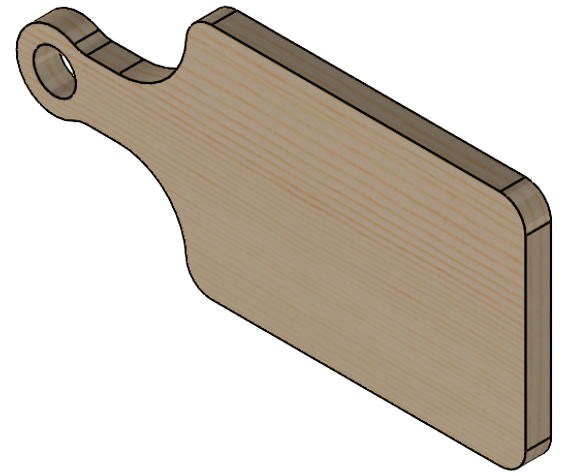
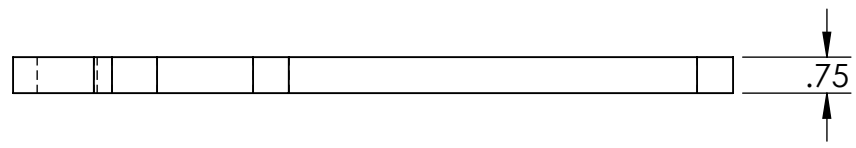


2

1

B

B



A

A

**PROPRIETARY AND CONFIDENTIAL**  
 THE INFORMATION CONTAINED IN THIS DRAWING IS THE SOLE PROPERTY OF <INSERT COMPANY NAME HERE>. ANY REPRODUCTION IN PART OR AS A WHOLE WITHOUT THE WRITTEN PERMISSION OF <INSERT COMPANY NAME HERE> IS PROHIBITED.

		UNLESS OTHERWISE SPECIFIED:		NAME	DATE
		DIMENSIONS ARE IN INCHES	DRAWN	Lorene	
		TOLERANCES:	CHECKED	Jenna	
		FRACTIONAL ±	ENG APPR.	Morgan	
		ANGULAR: MACH ± BEND ±	MFG APPR.	Jenna	
		TWO PLACE DECIMAL ±	Q.A.	Lorene	
		THREE PLACE DECIMAL ±	COMMENTS:		
		INTERPRET GEOMETRIC TOLERANCING PER:			
		MATERIAL			
		FINISH			
NEXT ASSY	USED ON				
APPLICATION		DO NOT SCALE DRAWING			

TITLE: <b>Bread Board</b>		
SIZE	DWG. NO.	REV
<b>ABread Board</b>		
SCALE: 1:4	WEIGHT:	SHEET 1 OF 1

2

1