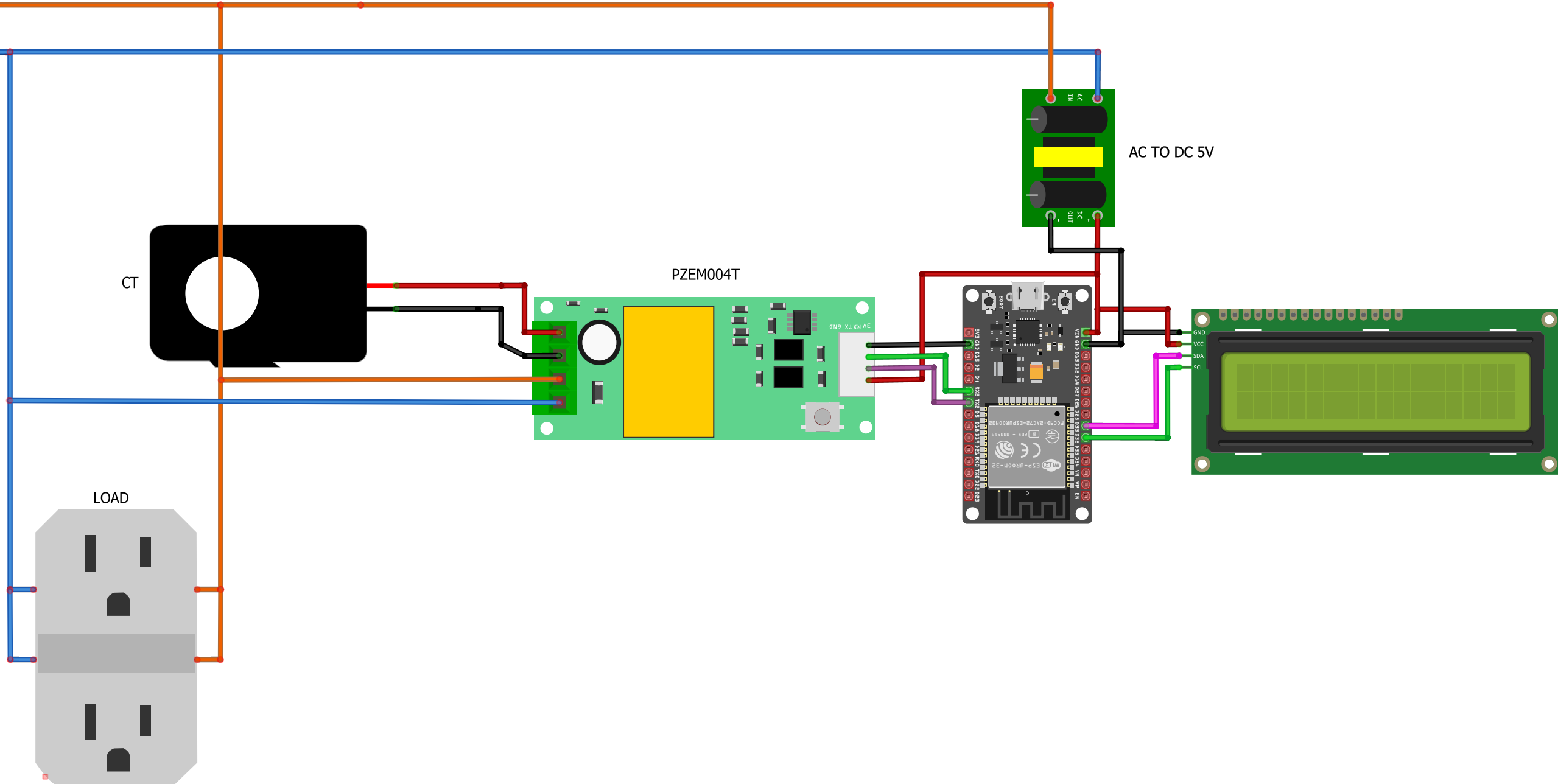


Input AC 220V/120V



CT

PZEM004T

AC TO DC 5V

LOAD